
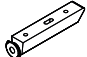


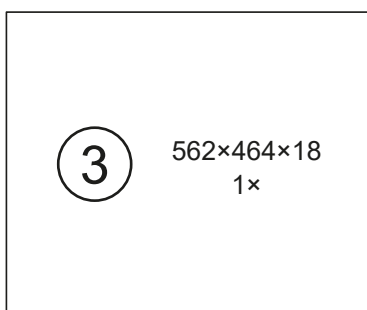
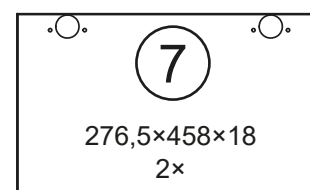
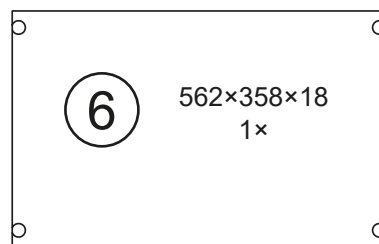
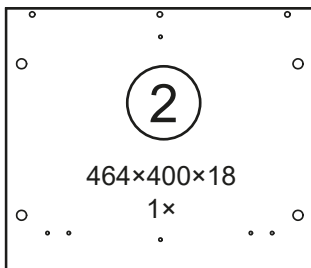
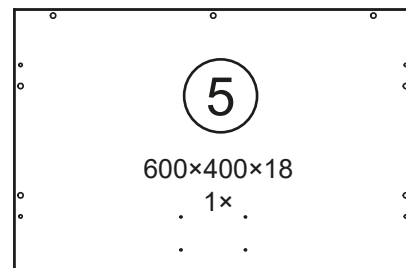
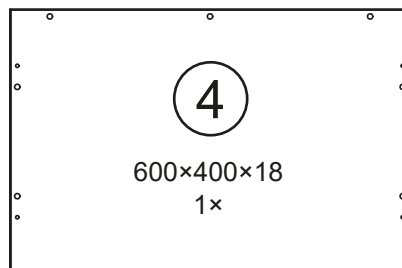
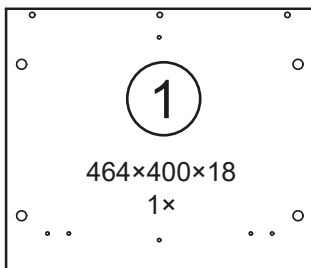
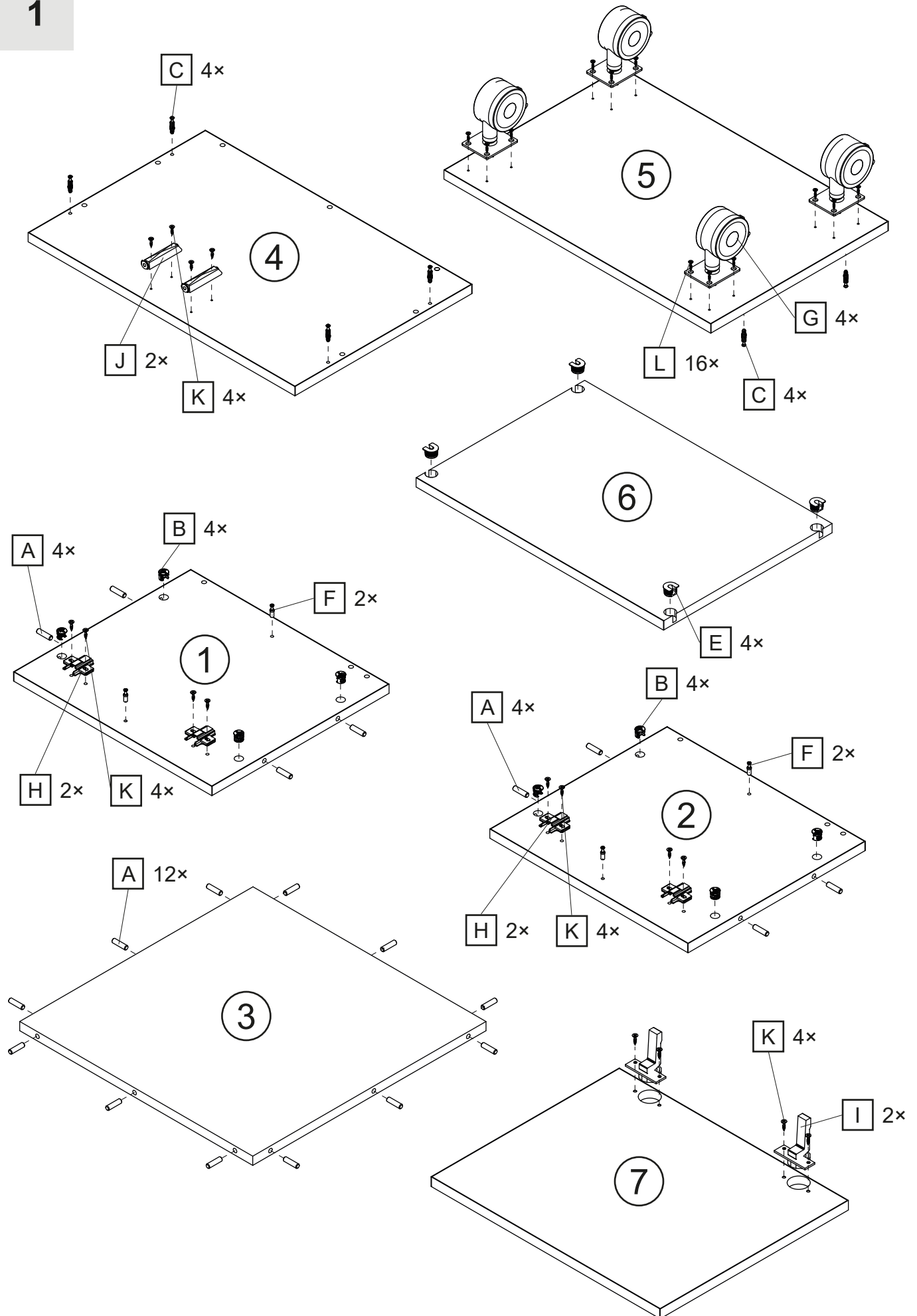
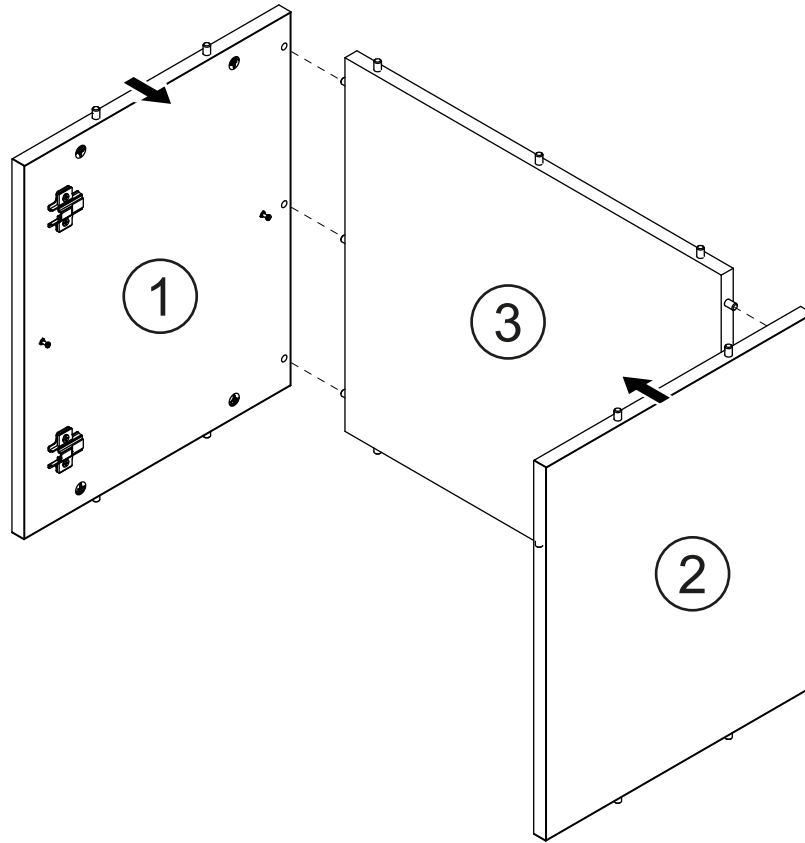

Ø8 × 35		Ø8 × 24					
A 20×	B 8×	C 8×	D 8×	E 4×	F 4×	G 4×	H 4×
							
		Ø3,5 × 16	Ø3,5 × 16				
I 4×	J 2×	K 12×	L 16×				



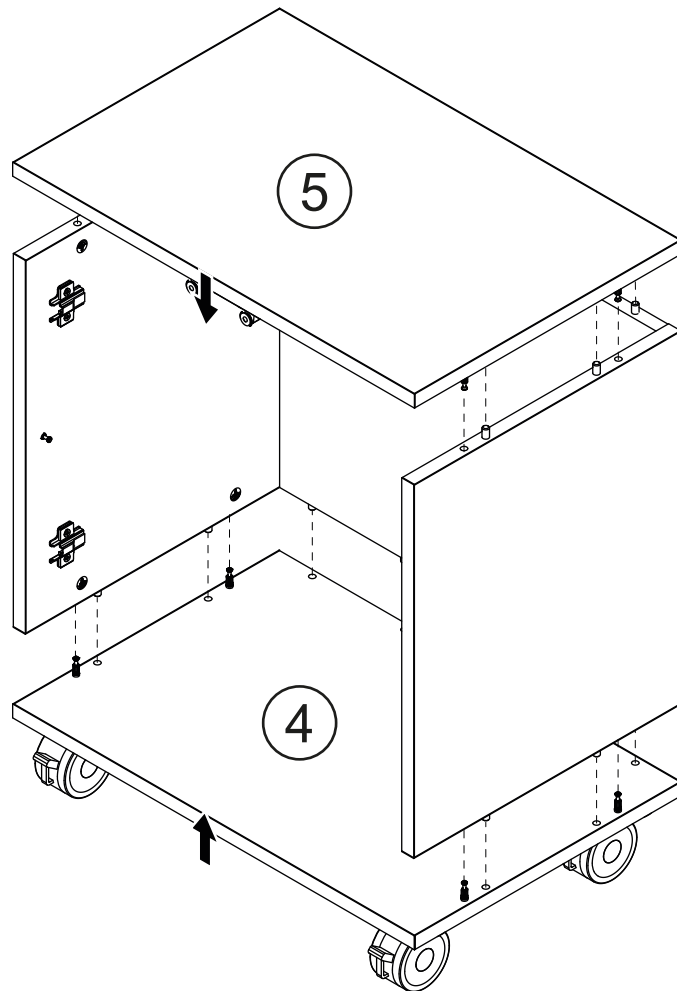
1



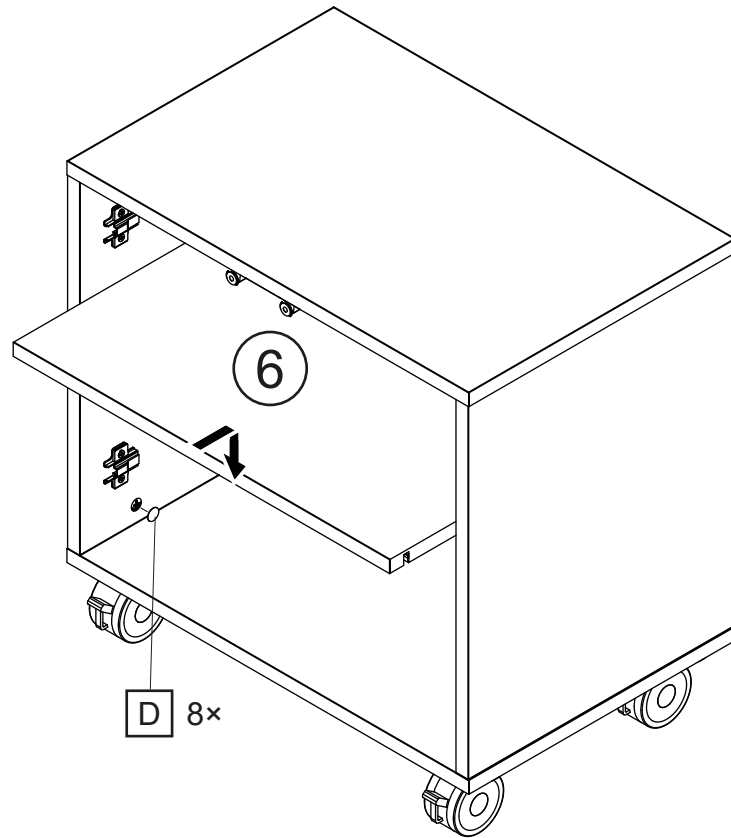
2



3



4



5

