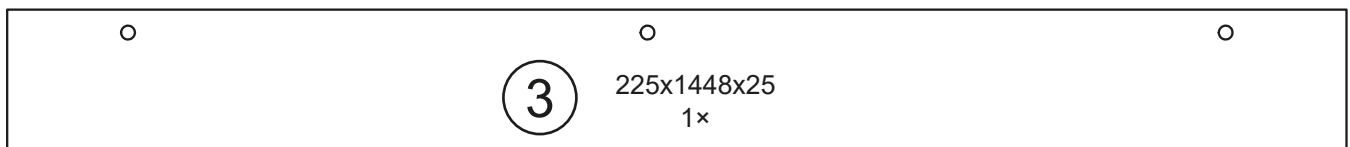
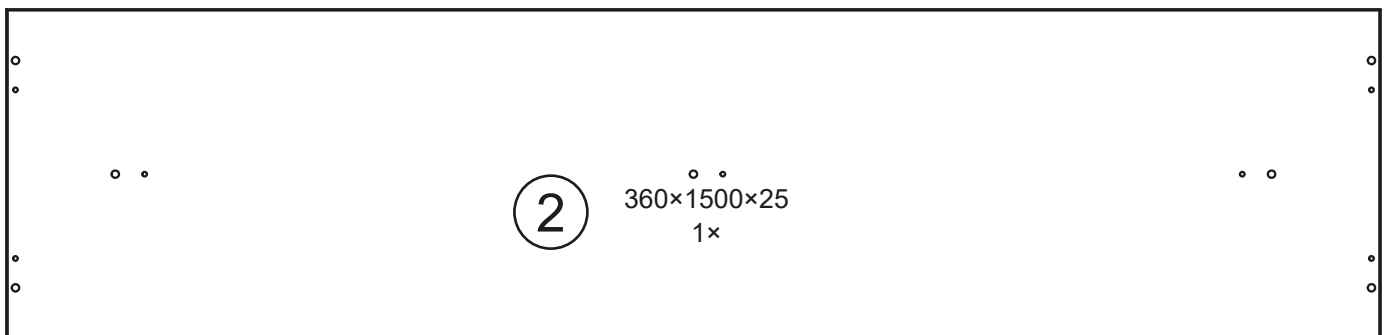
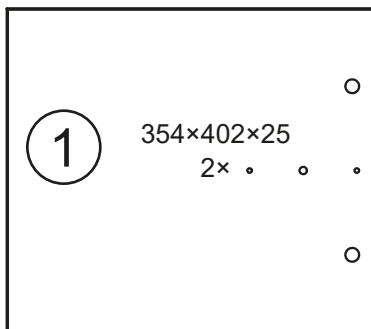
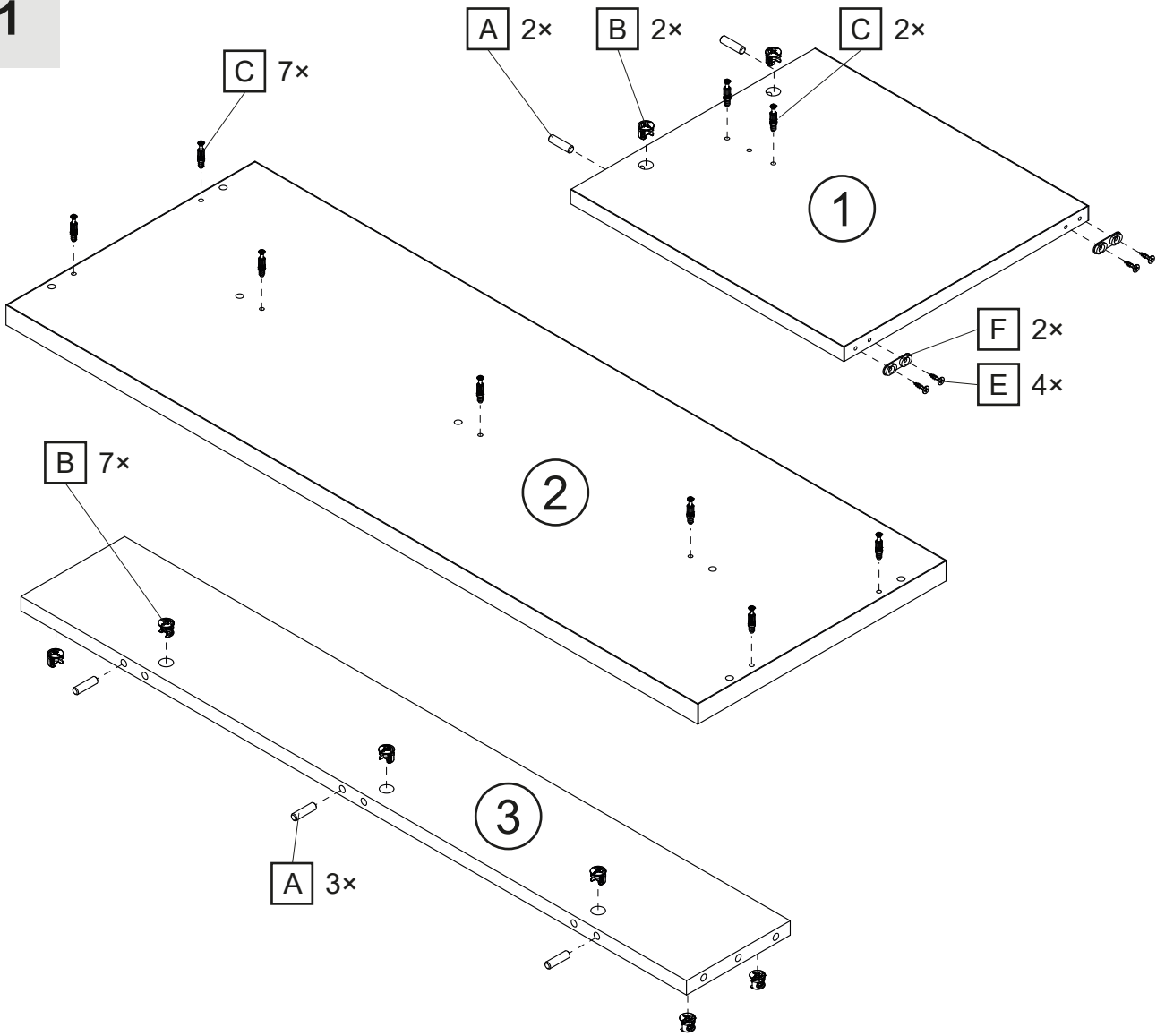
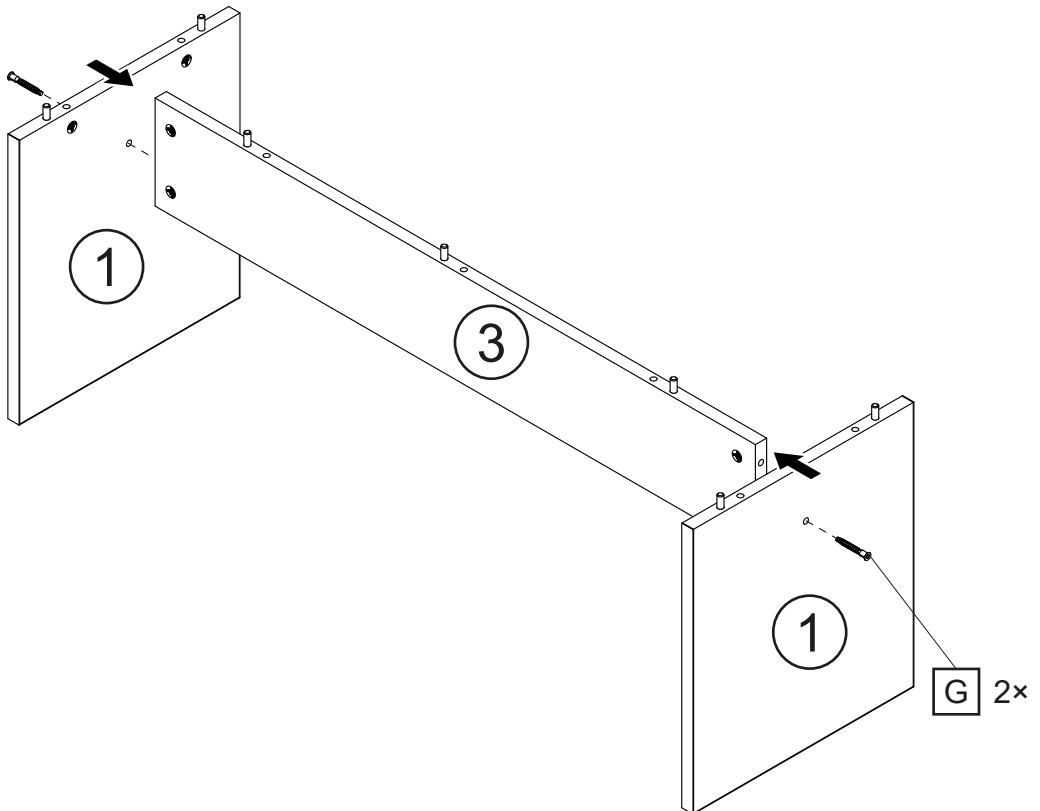

Ø8 × 35		Ø8 × 24		Ø3,5 × 16		Ø7 × 50
A 7×	B 11×	C 11×	D 11×	E 8×	F 4×	G 2×



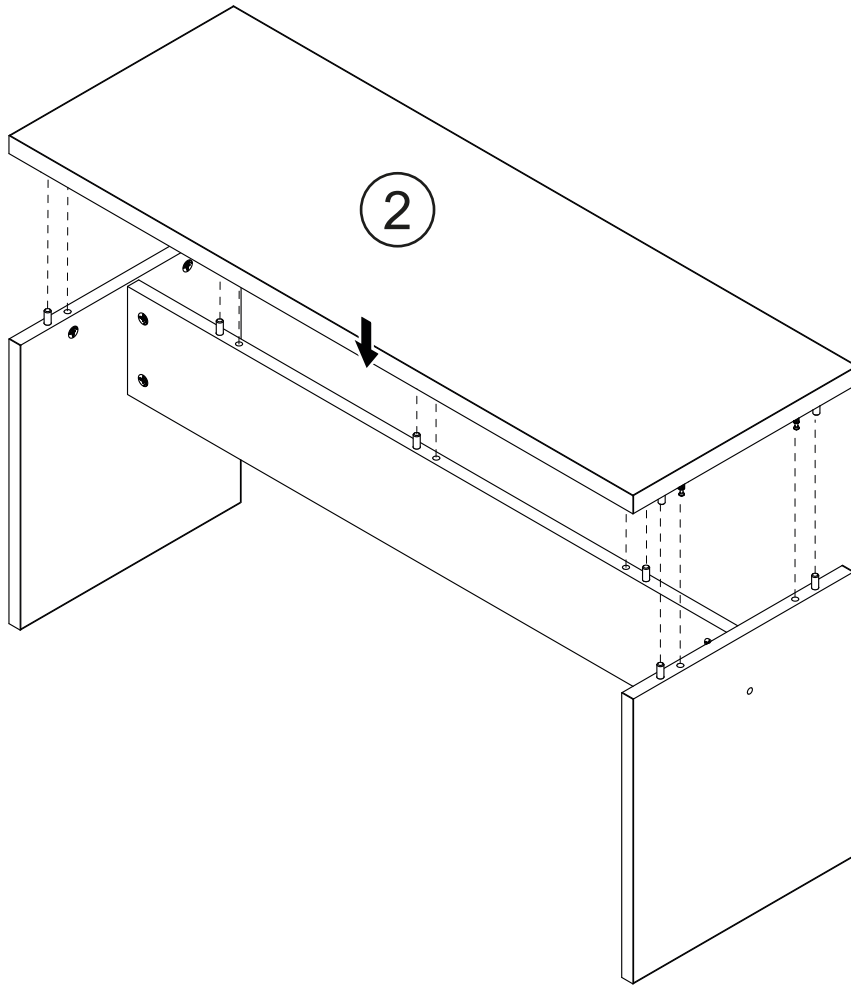
1



2



3



4

