
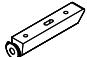


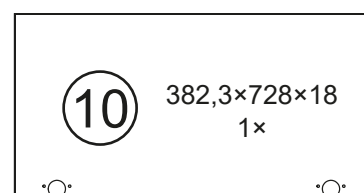
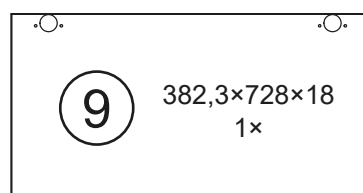
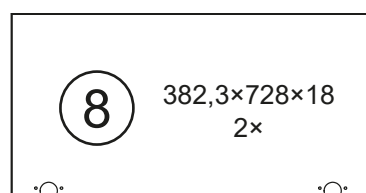
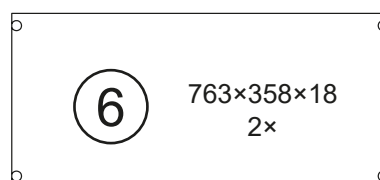
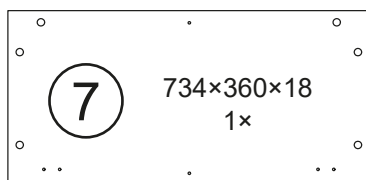
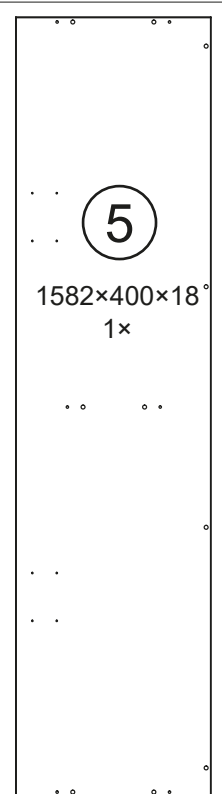
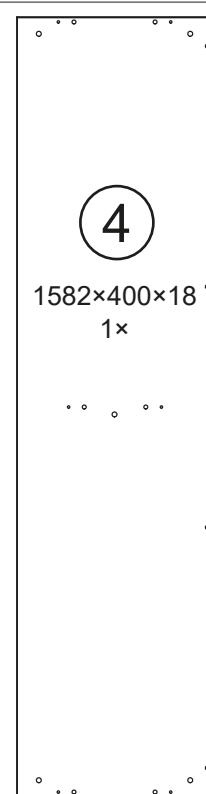
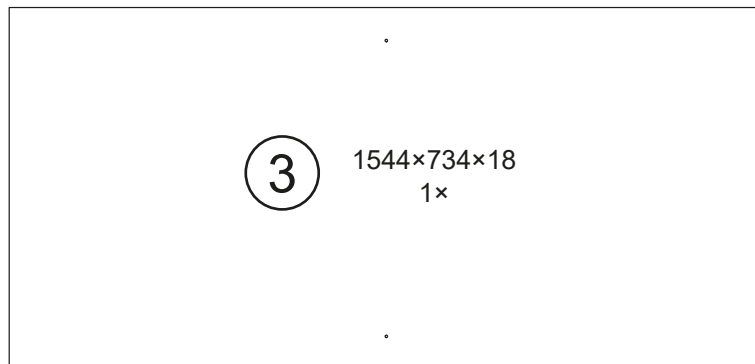
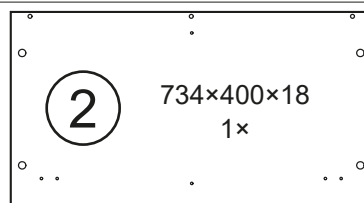
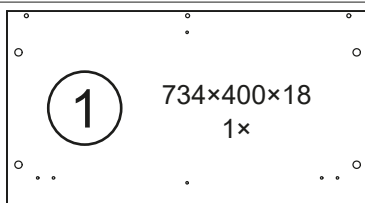
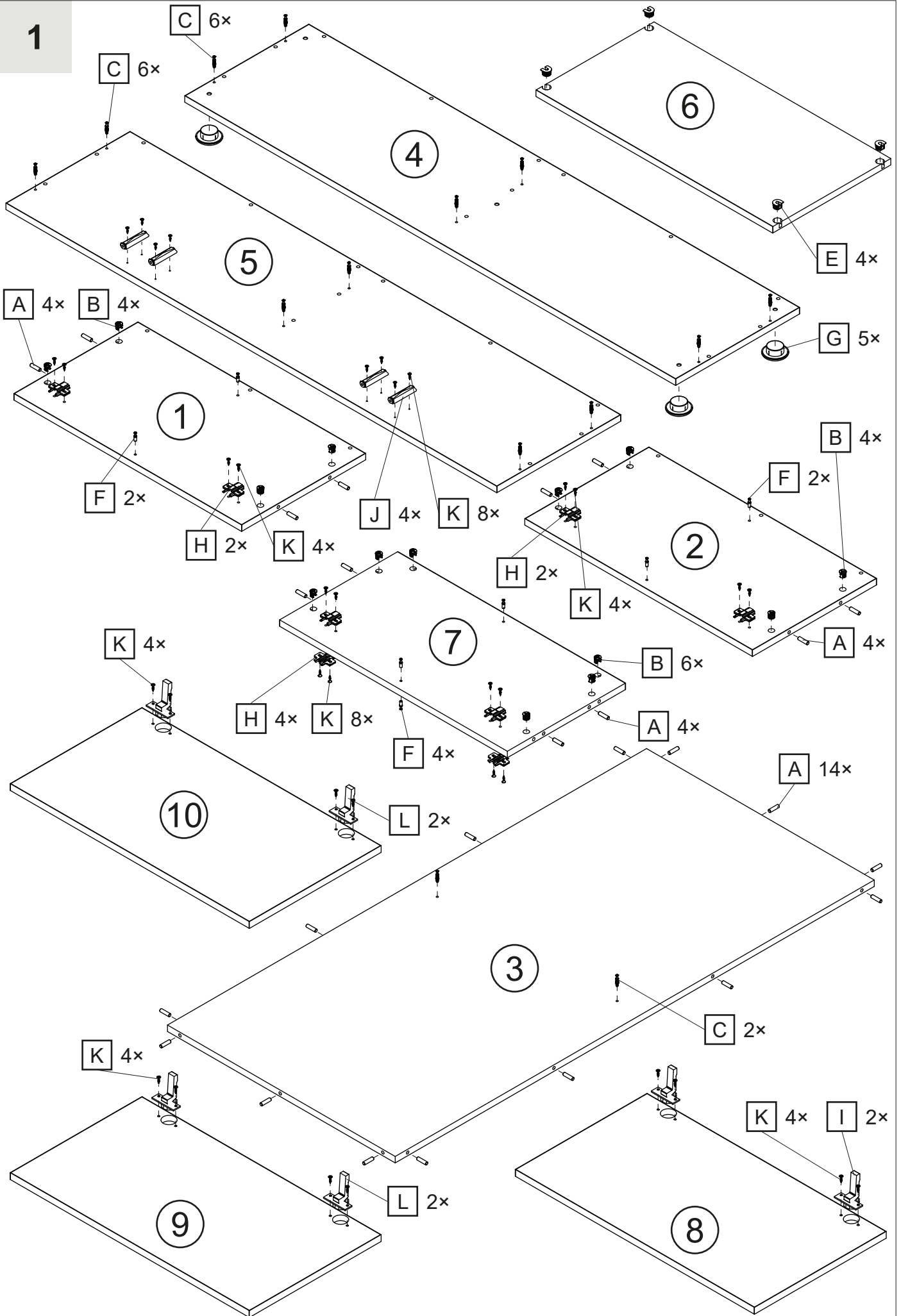
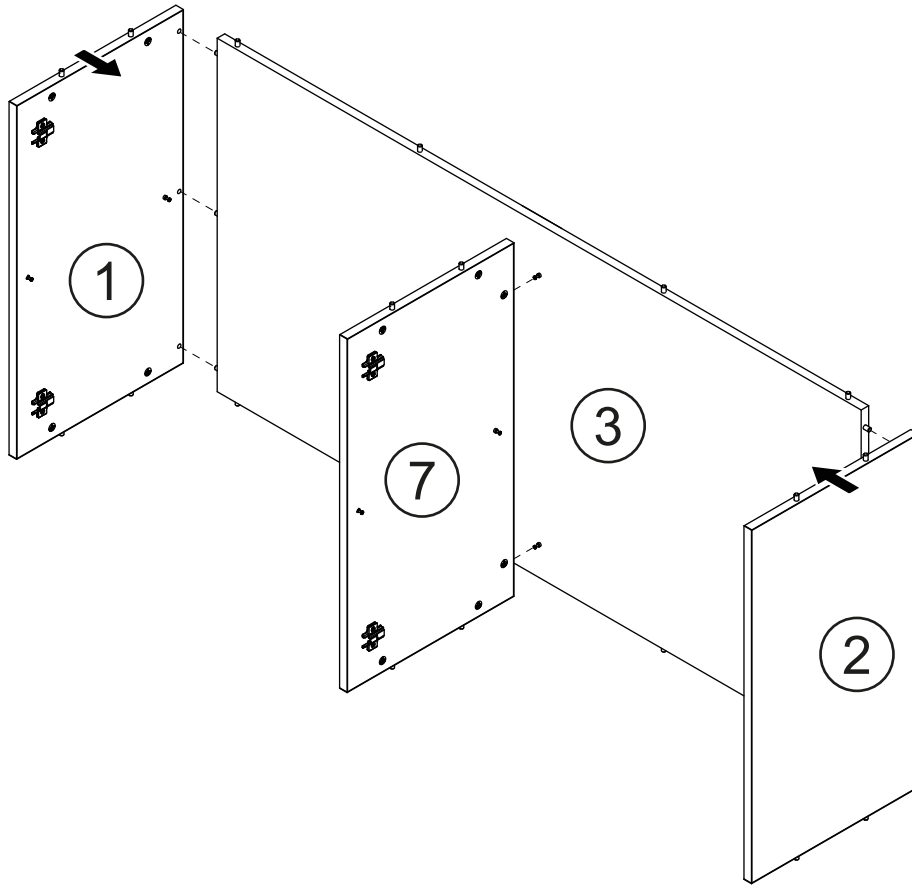

Ø8 x 35		Ø8 x 24					
A 26x	B 12x	C 12x	D 12x	E 8x	F 8x	G 5x	H 8x
							
		Ø3,5 x 16					
I 4x	J 4x	K 22x	L 4x				



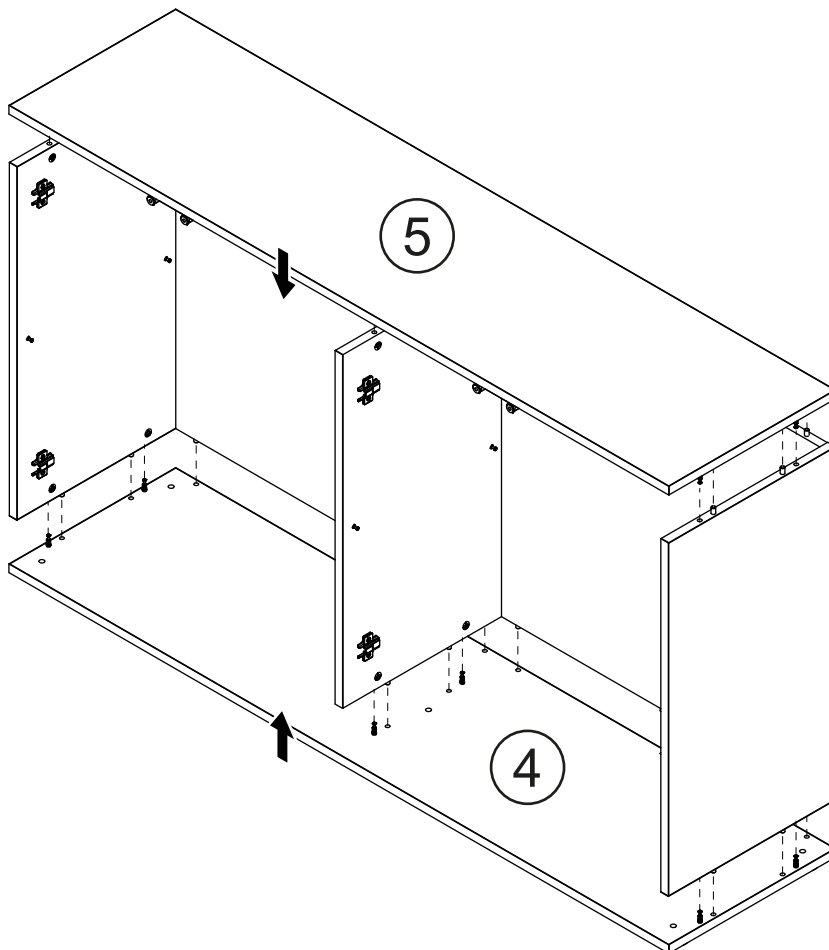
1



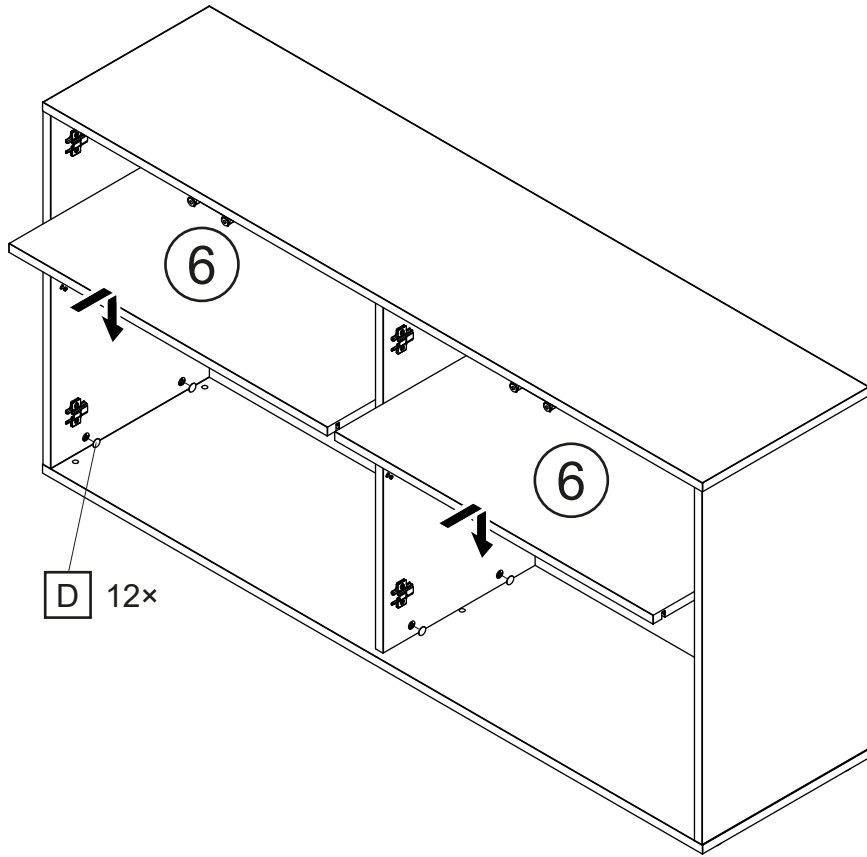
2



3



4



5

