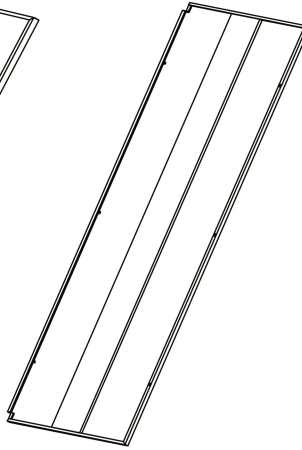


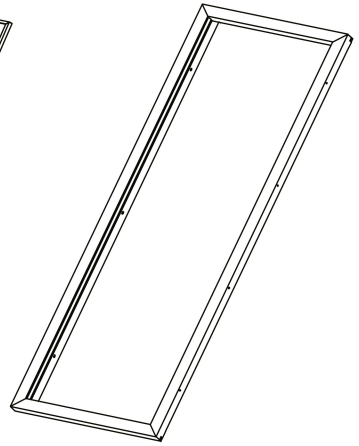
A × 1



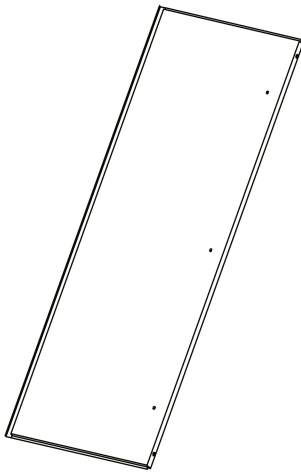
B × 1



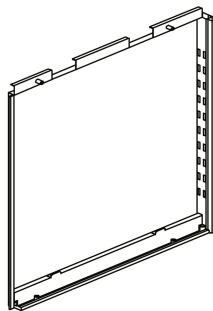
C × 1



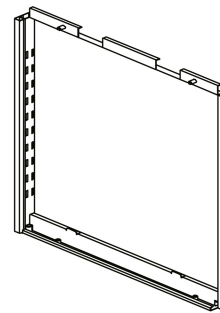
D × 1



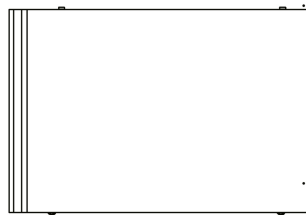
E × 1



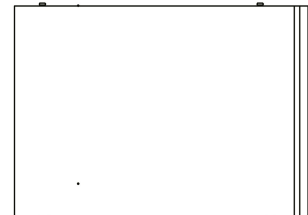
F × 1



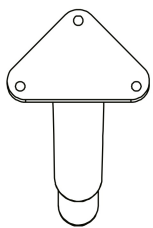
G × 1



H × 1



I × 1



J × 4



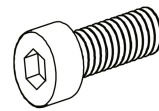
K × 4



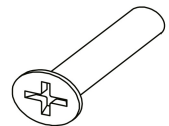
L × 12



M × 12



N × 12



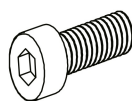
O × 4



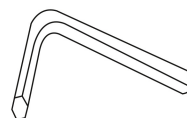
P × 6



Q × 6



R × 6

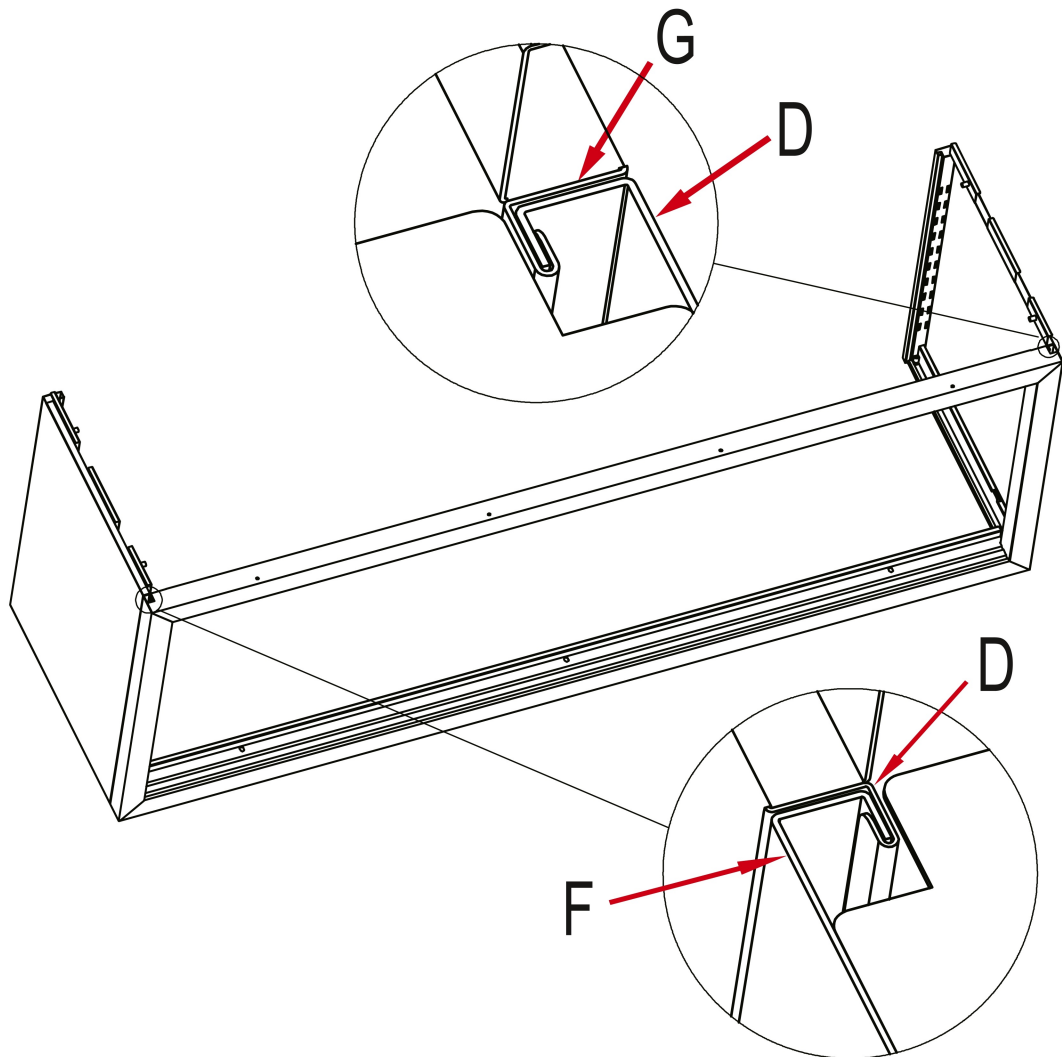
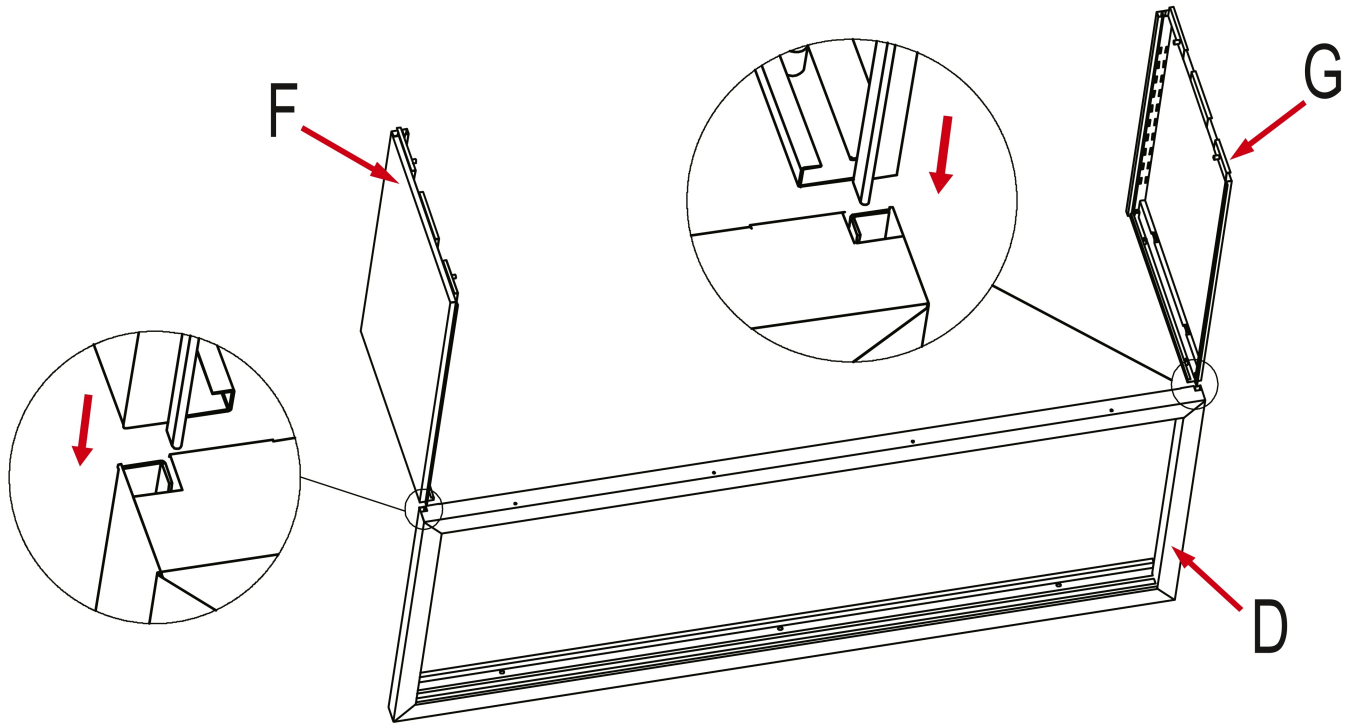


S × 1

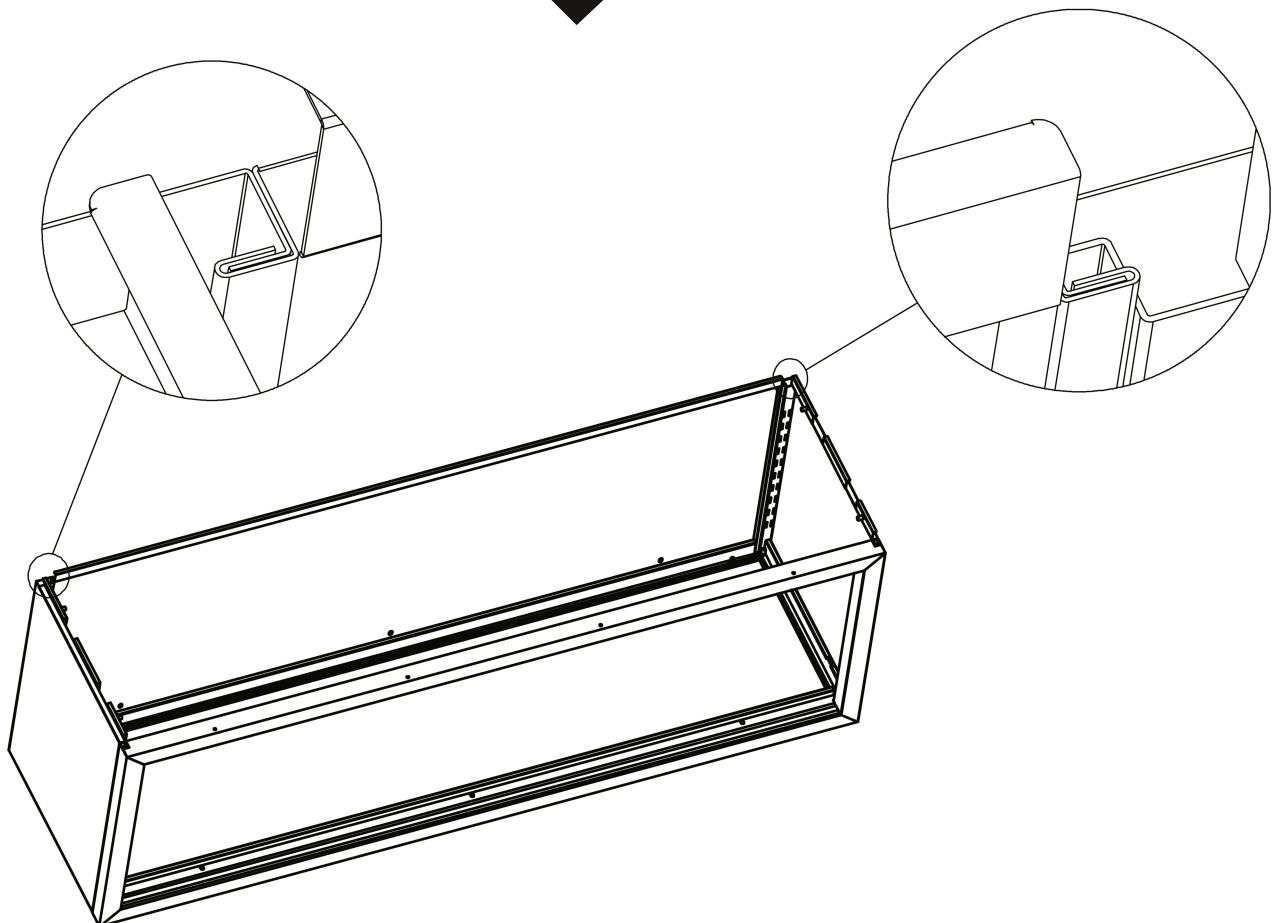
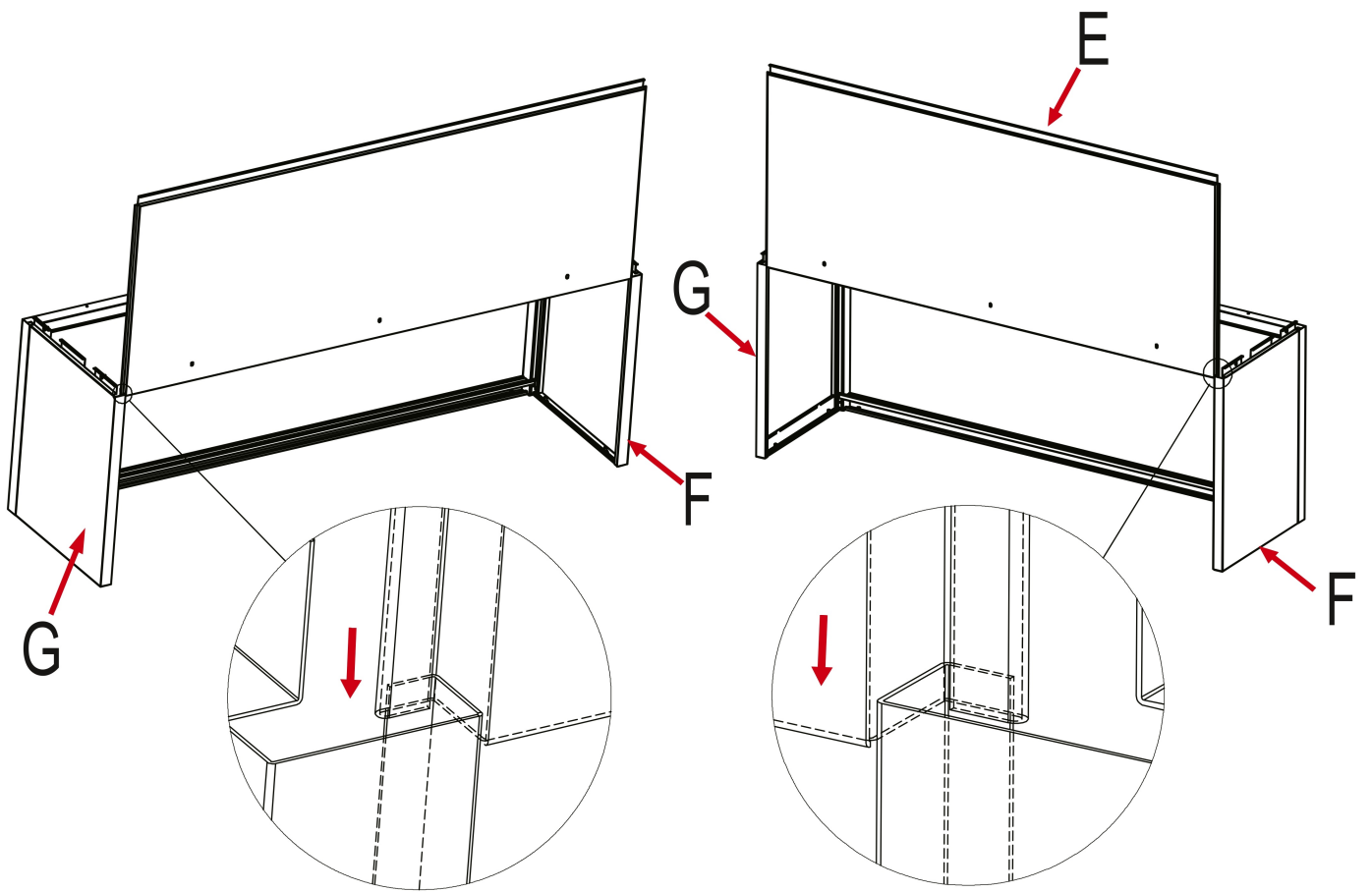


T × 1

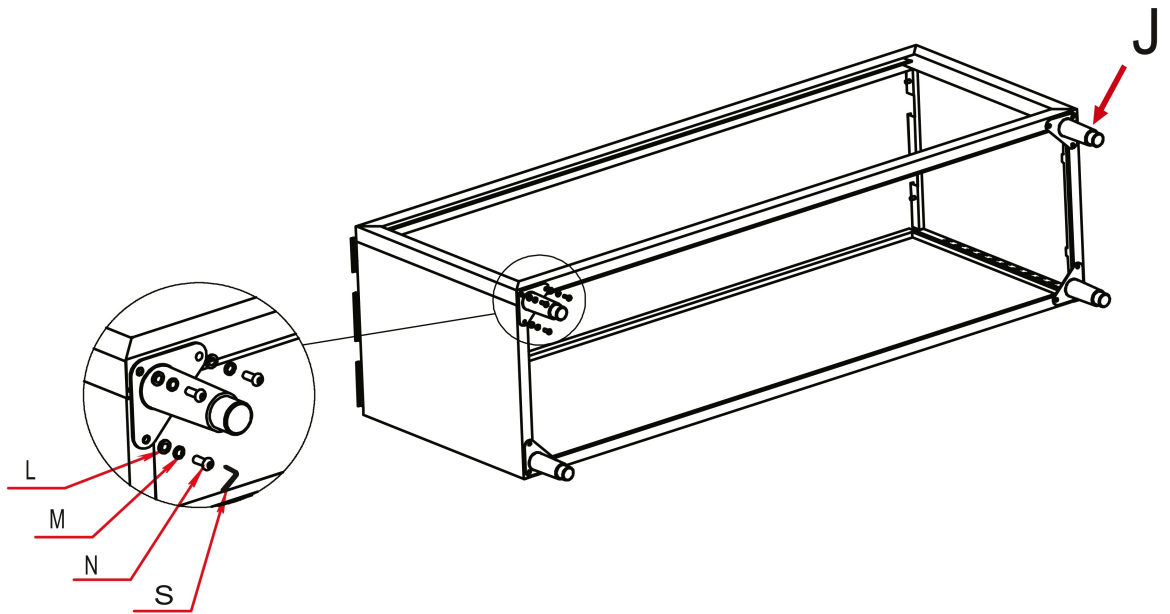
1



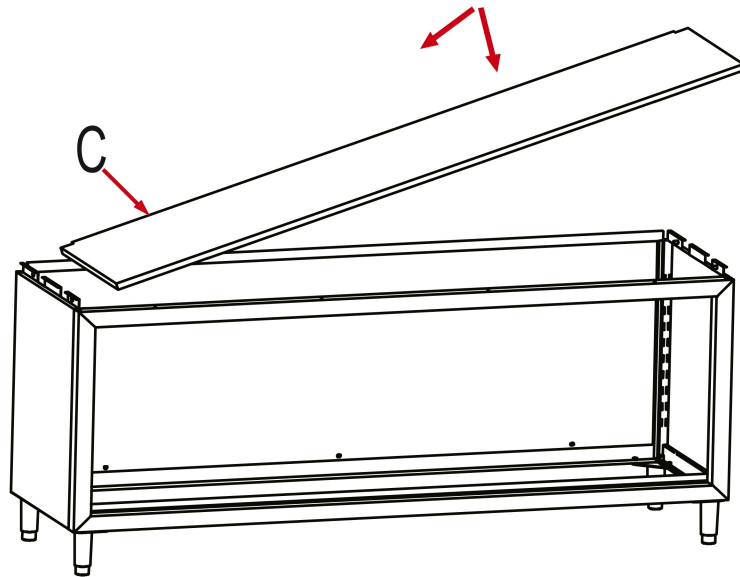
2



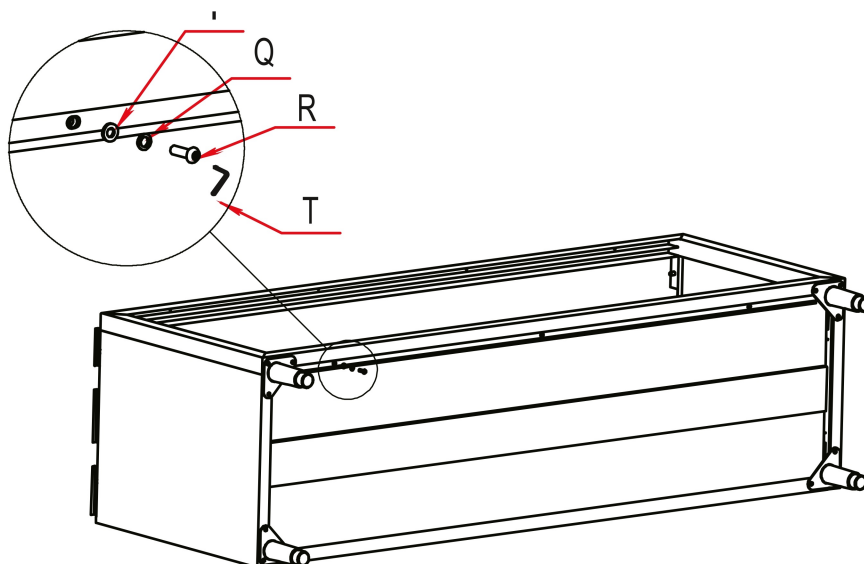
3



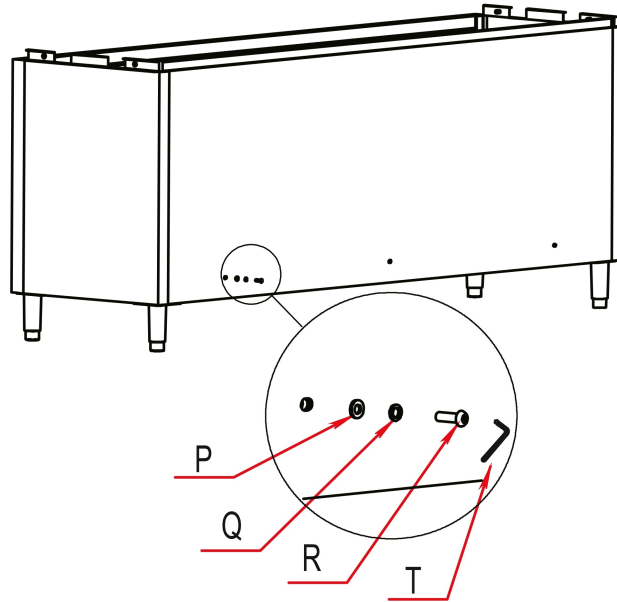
4



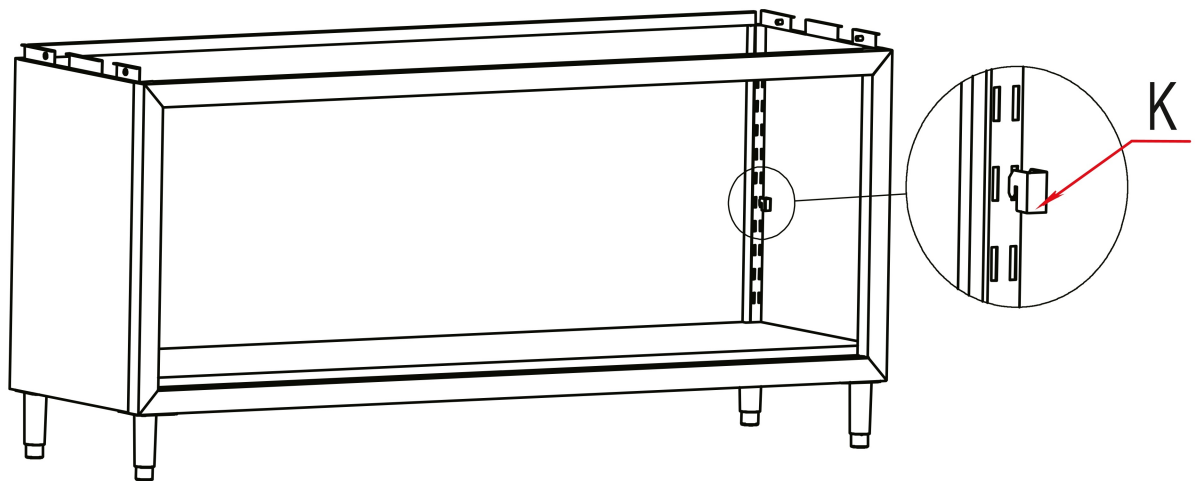
5



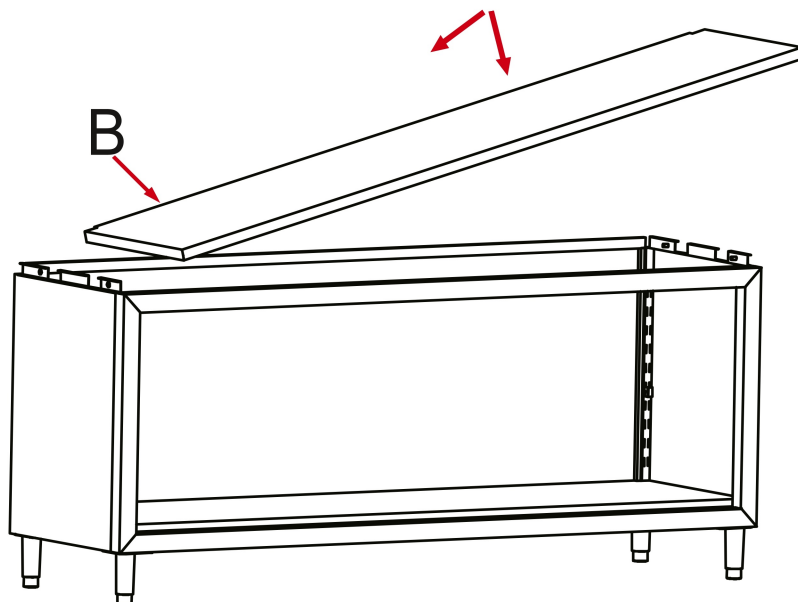
6



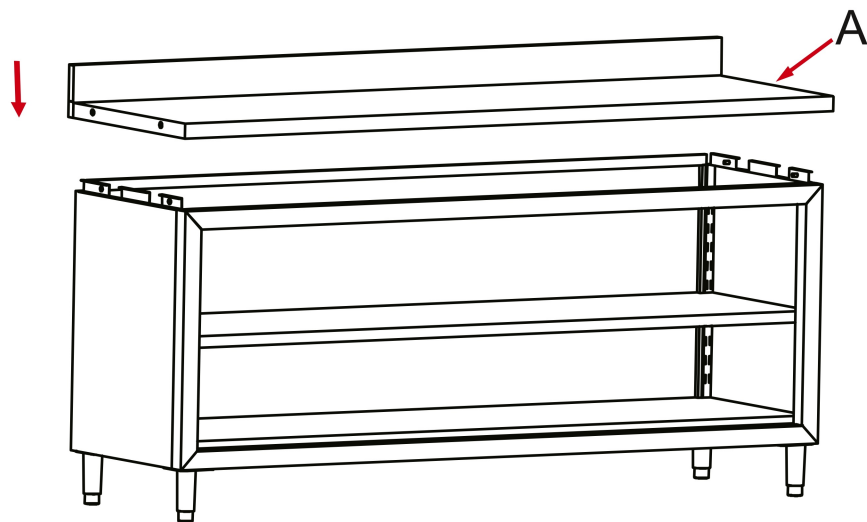
7



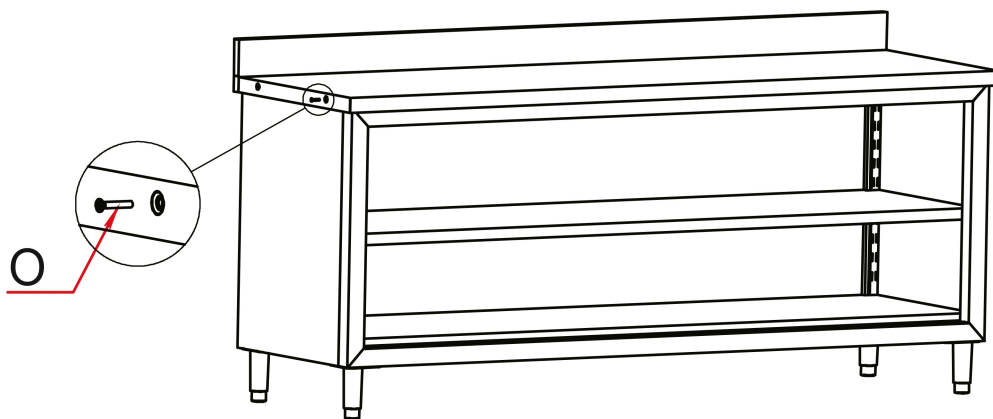
8



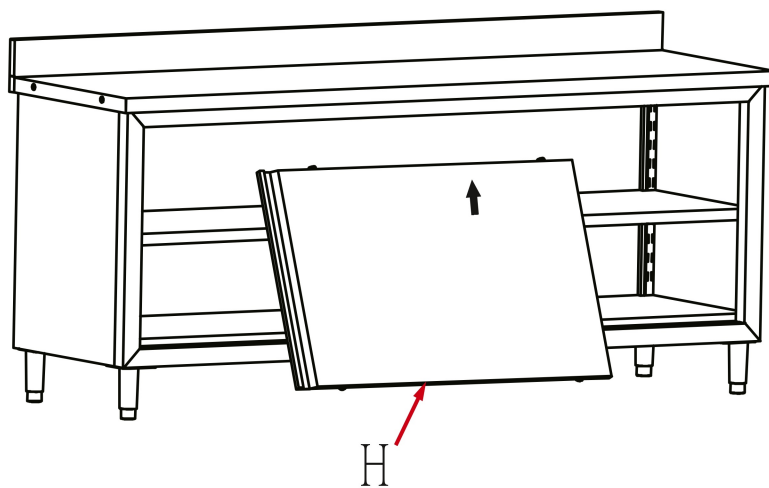
9



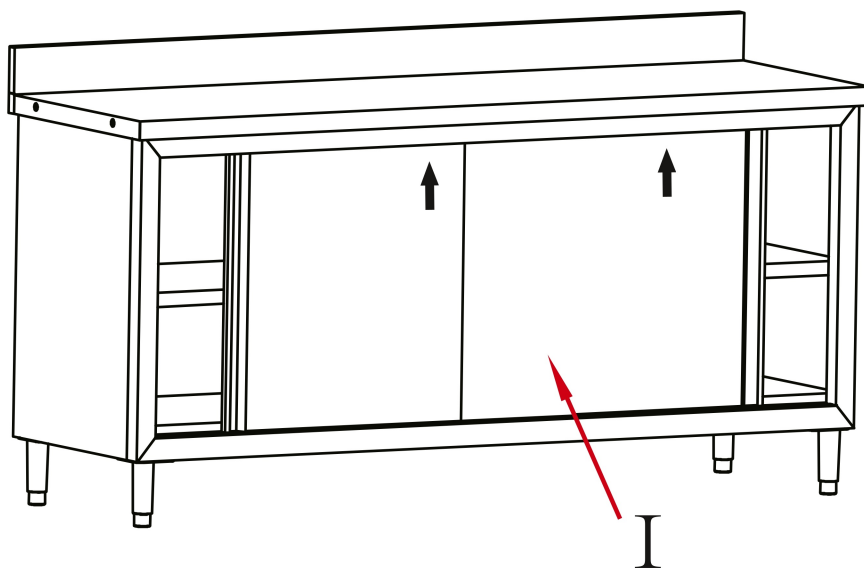
10



11



12



13

