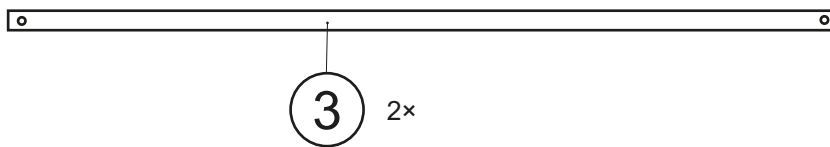
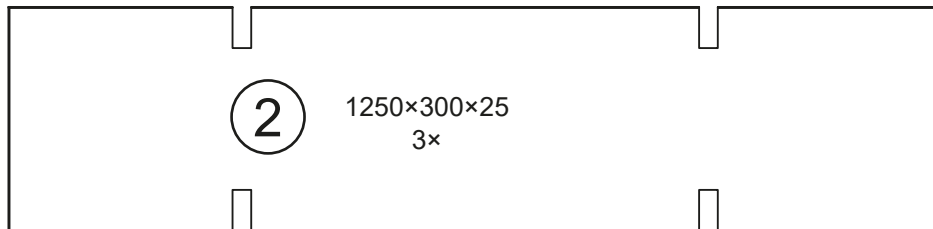
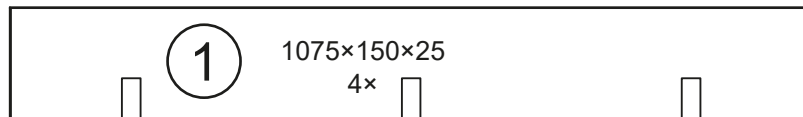
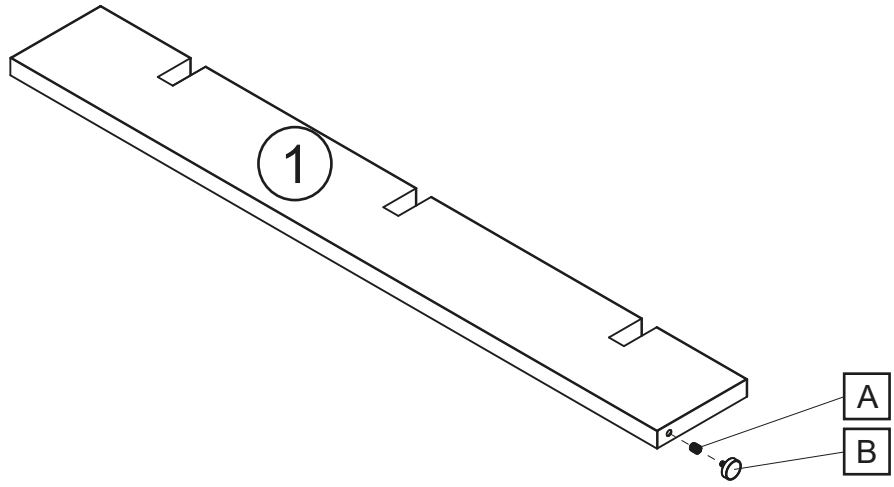
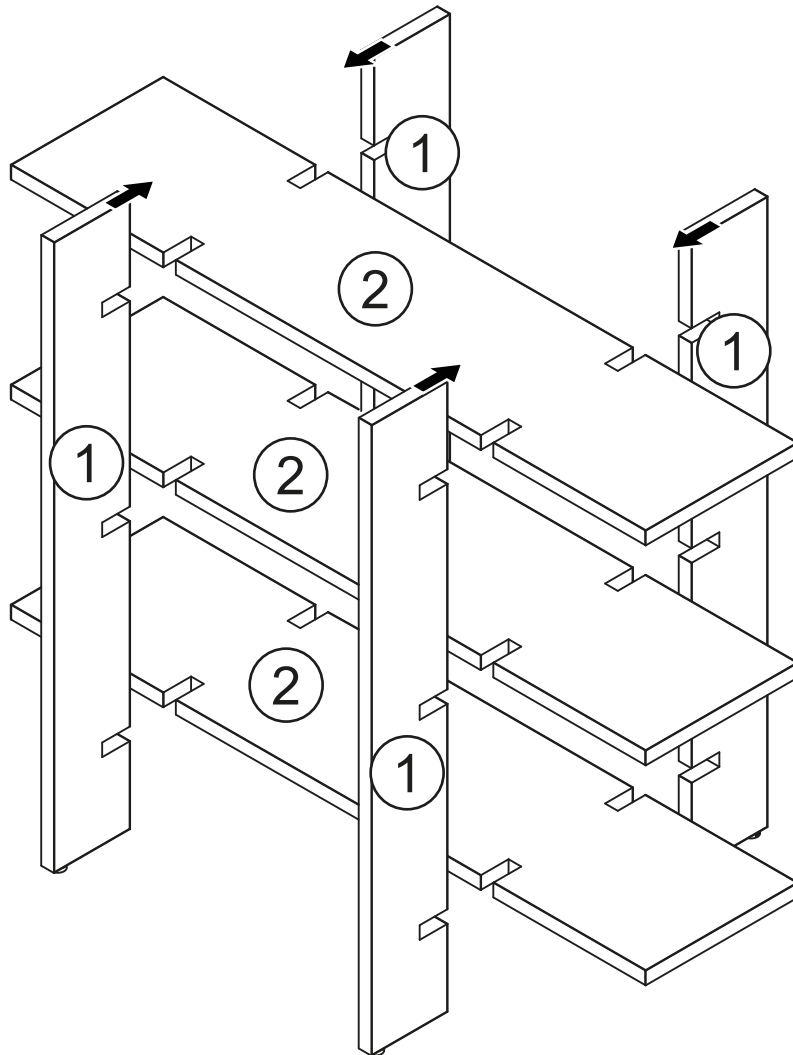
			
		Ø5 x 20			
A	4x	B	4x	C	4x



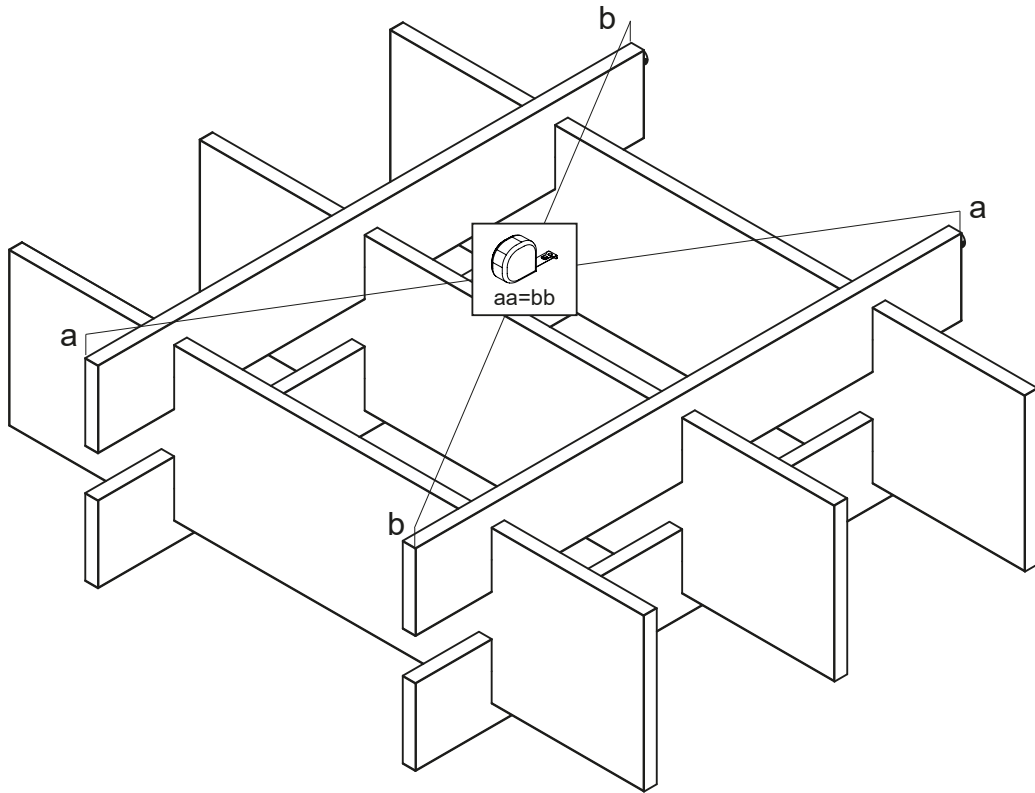
1



2



3



4

