





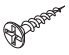
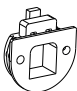
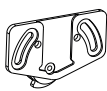


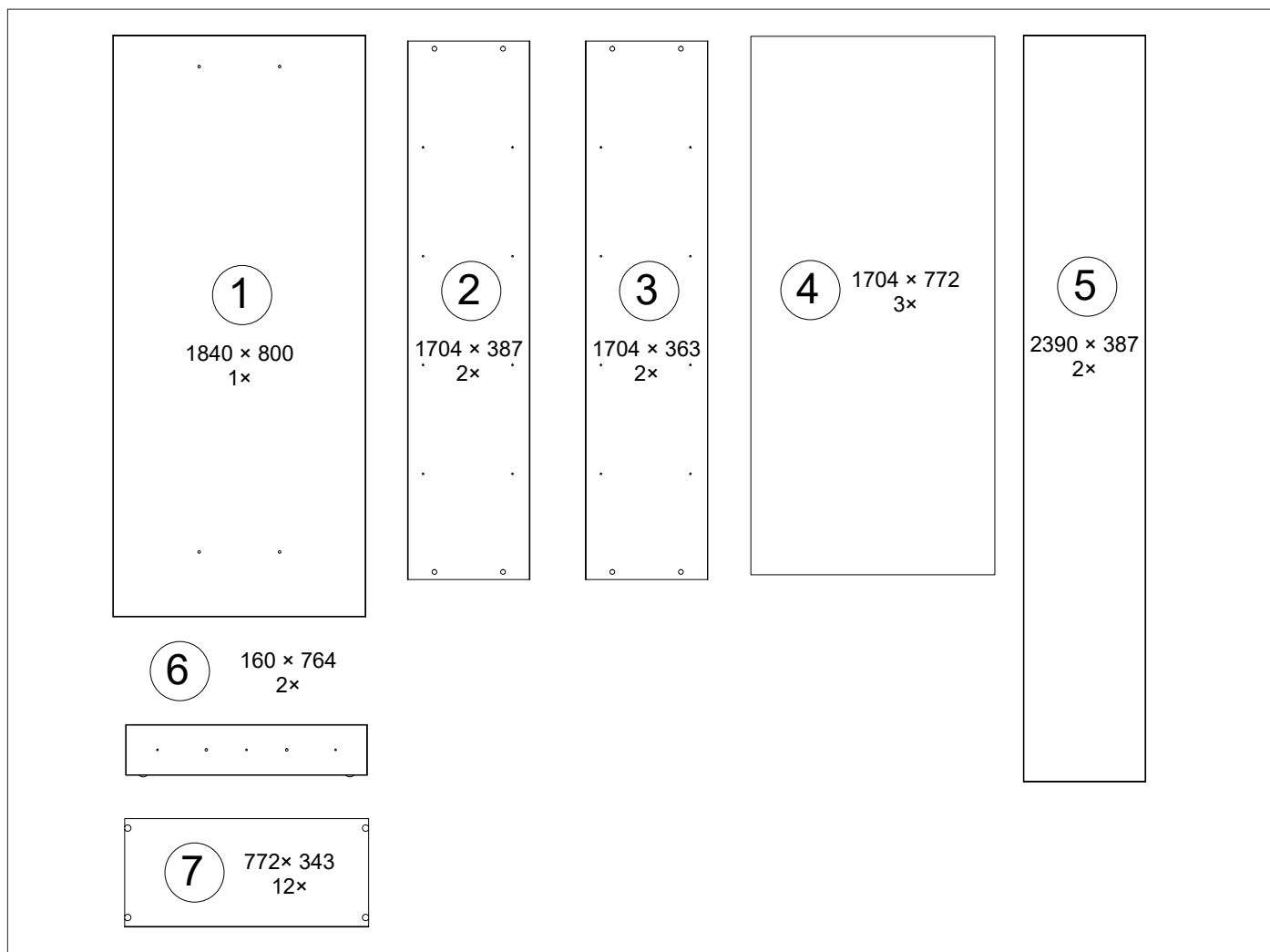
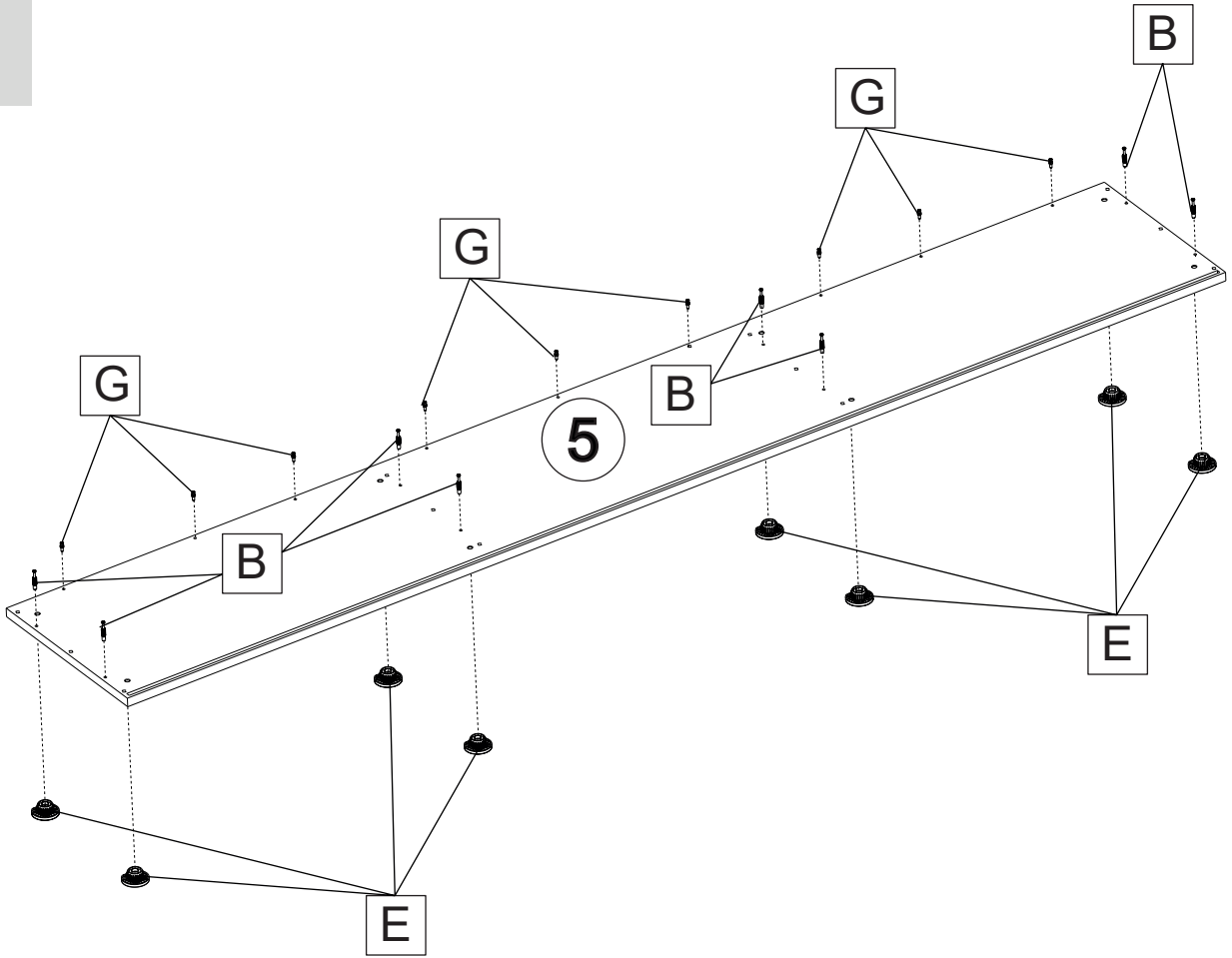
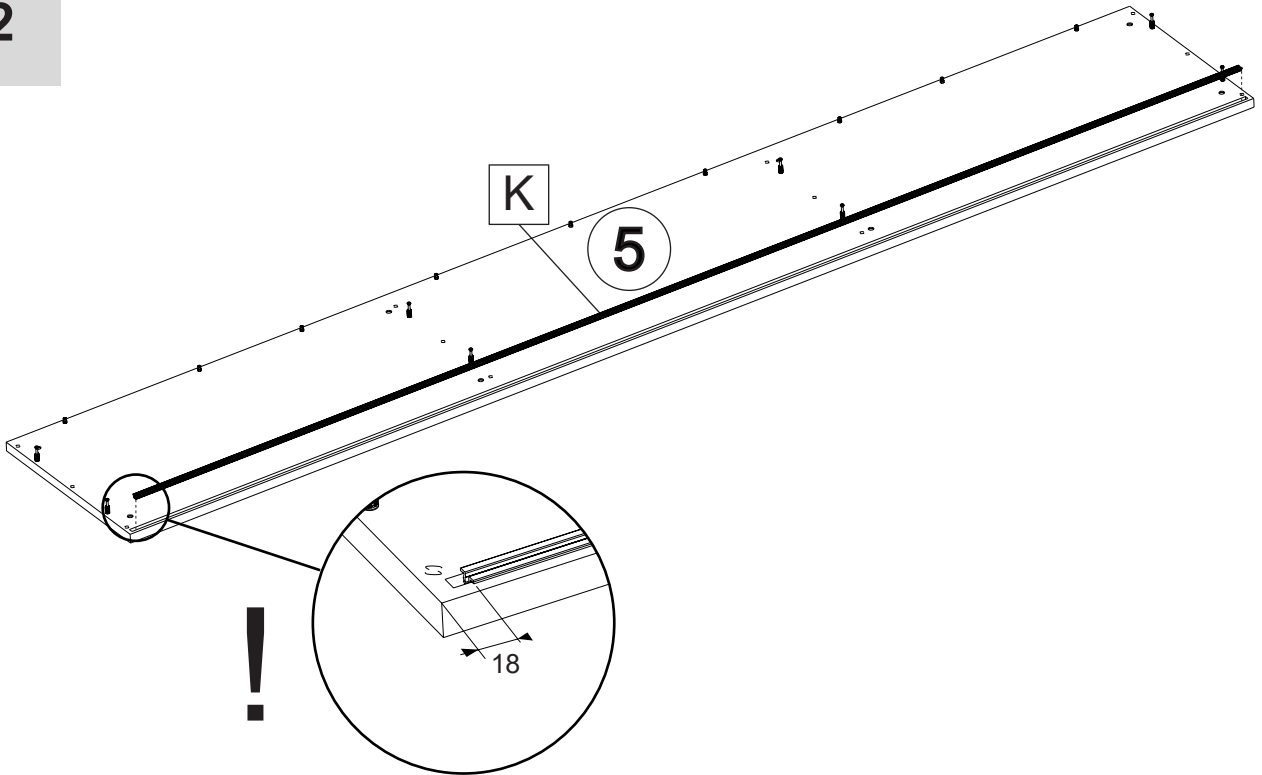
 Ø8 × 35							 Ø3,5 × 16
A 28×	B 16×	C 16×	D 16×	E 8×	F 84×	G 84×	H 12×
				 Ø3,5 × 40			
I 2×	J 2×	K 2×	K 6×				



1

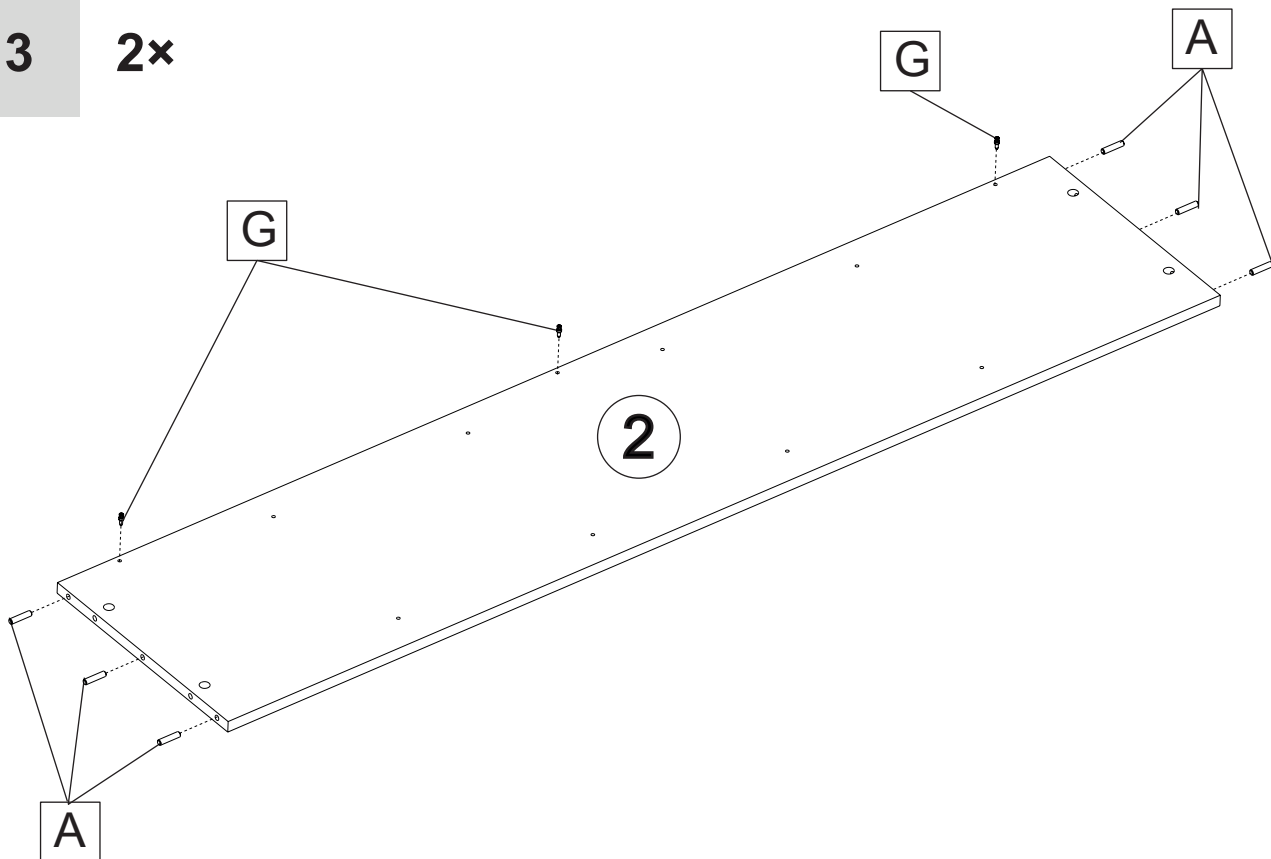


2

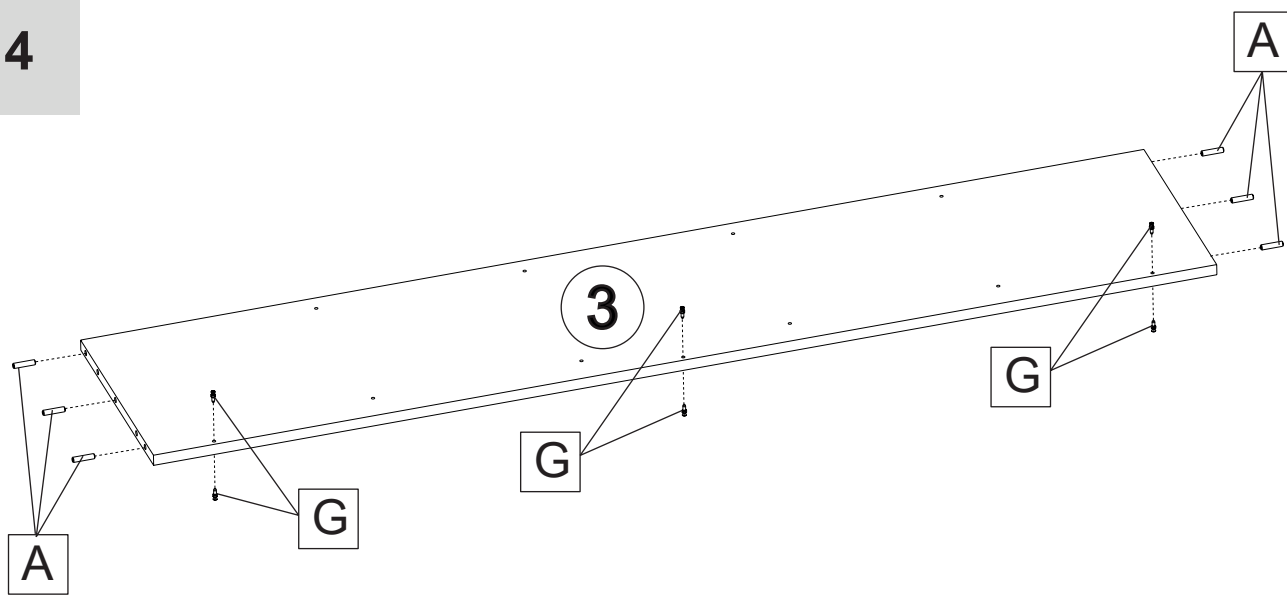


3

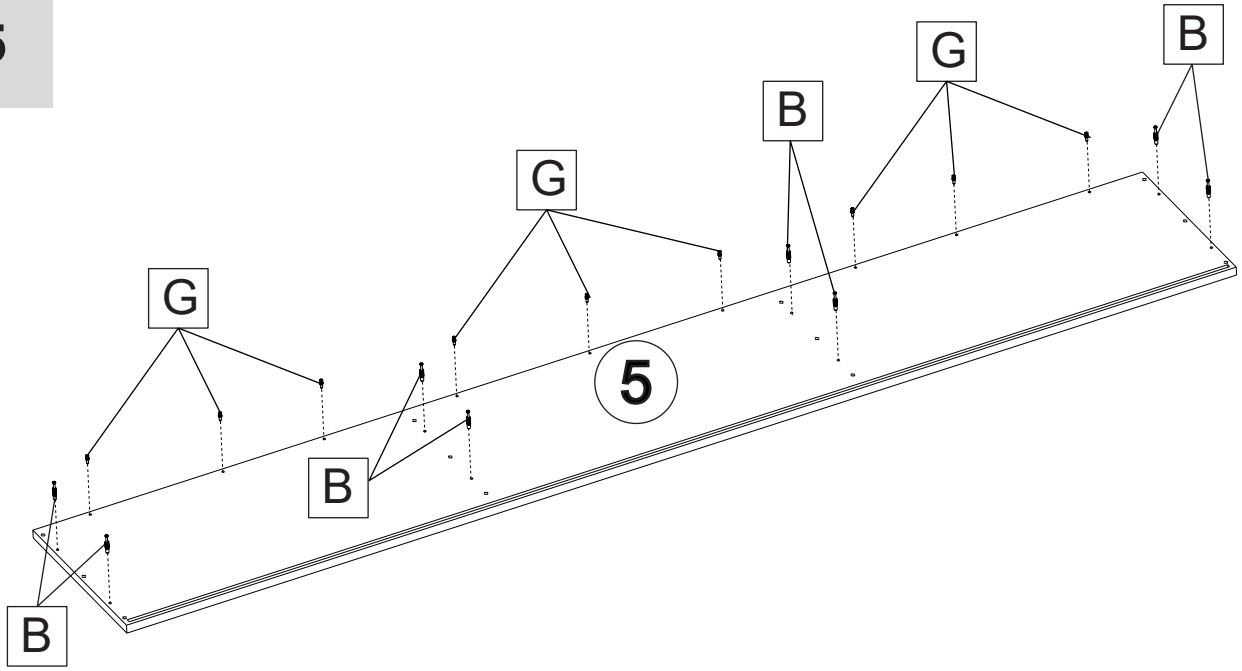
2x



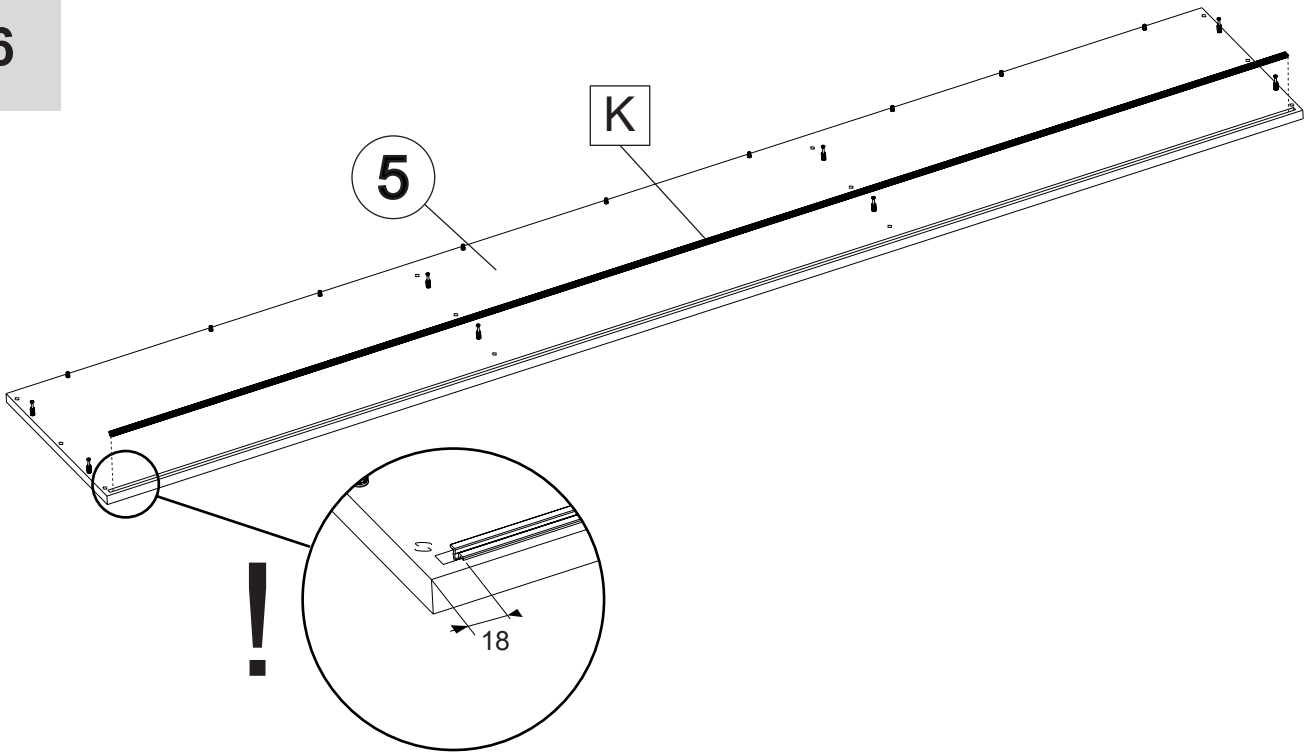
4



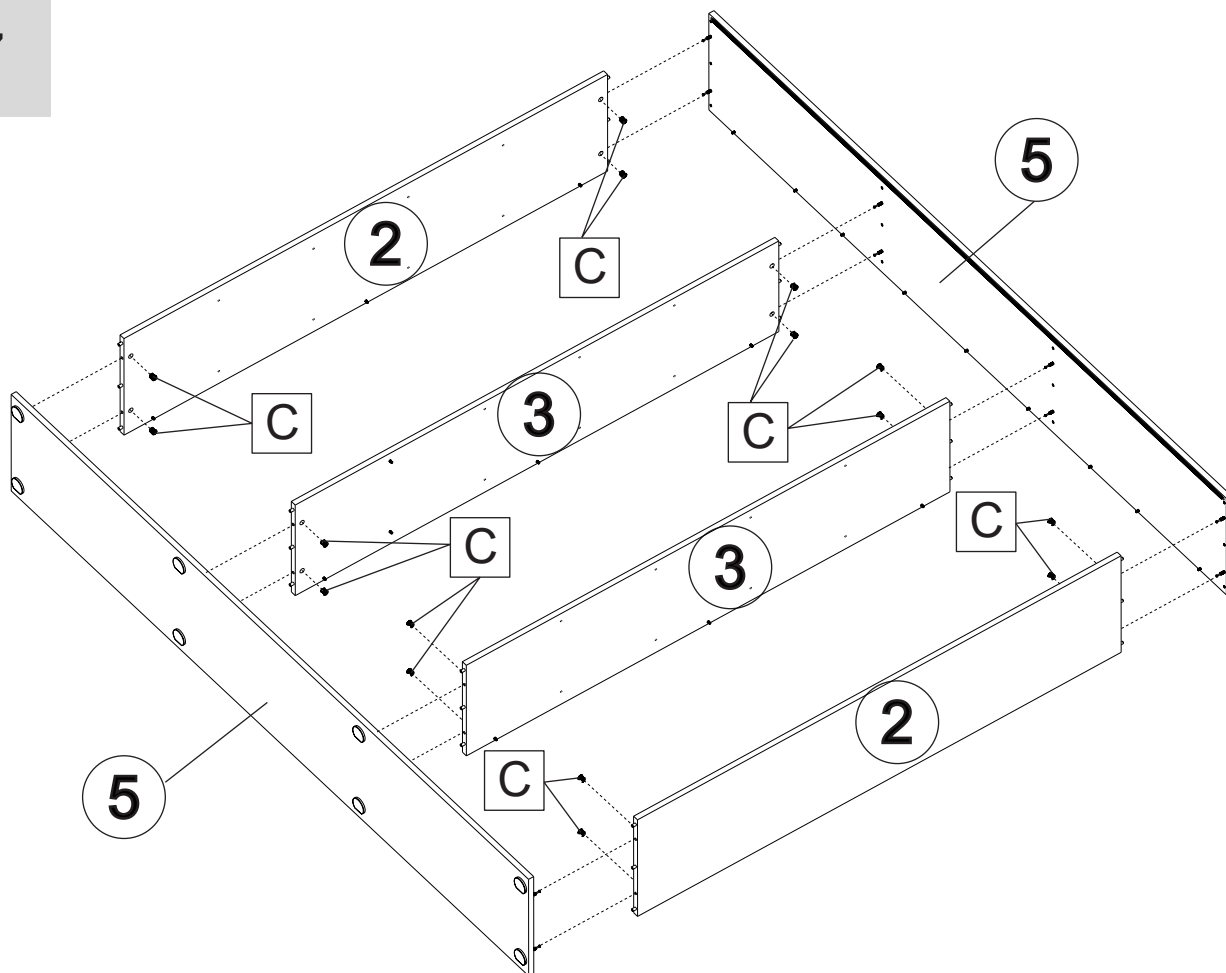
5



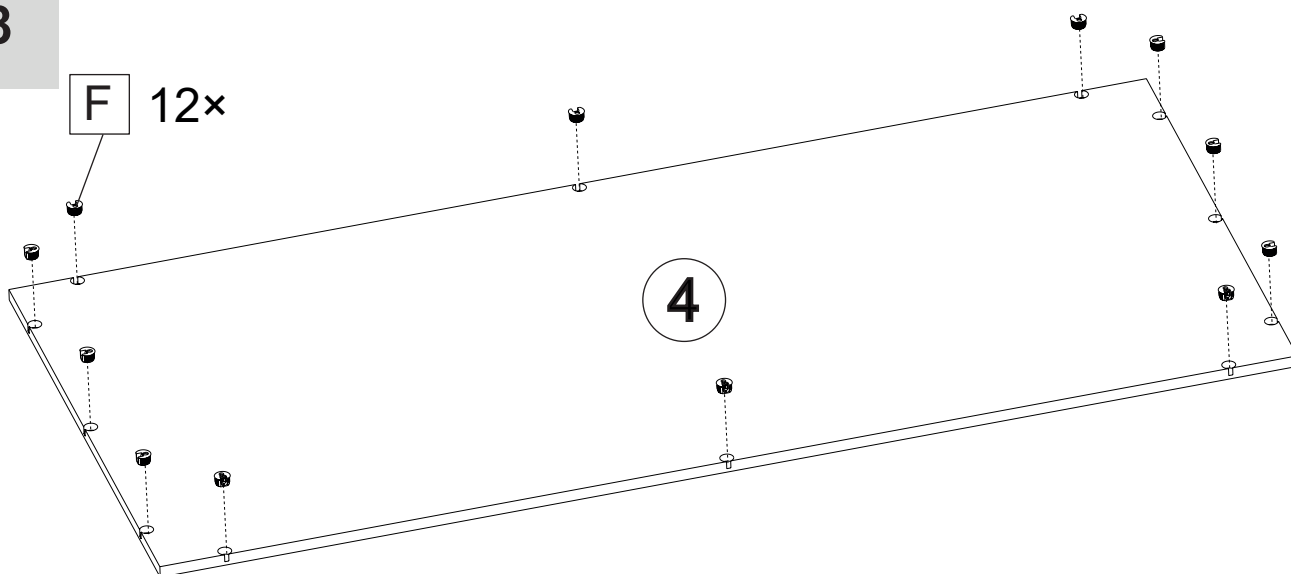
6



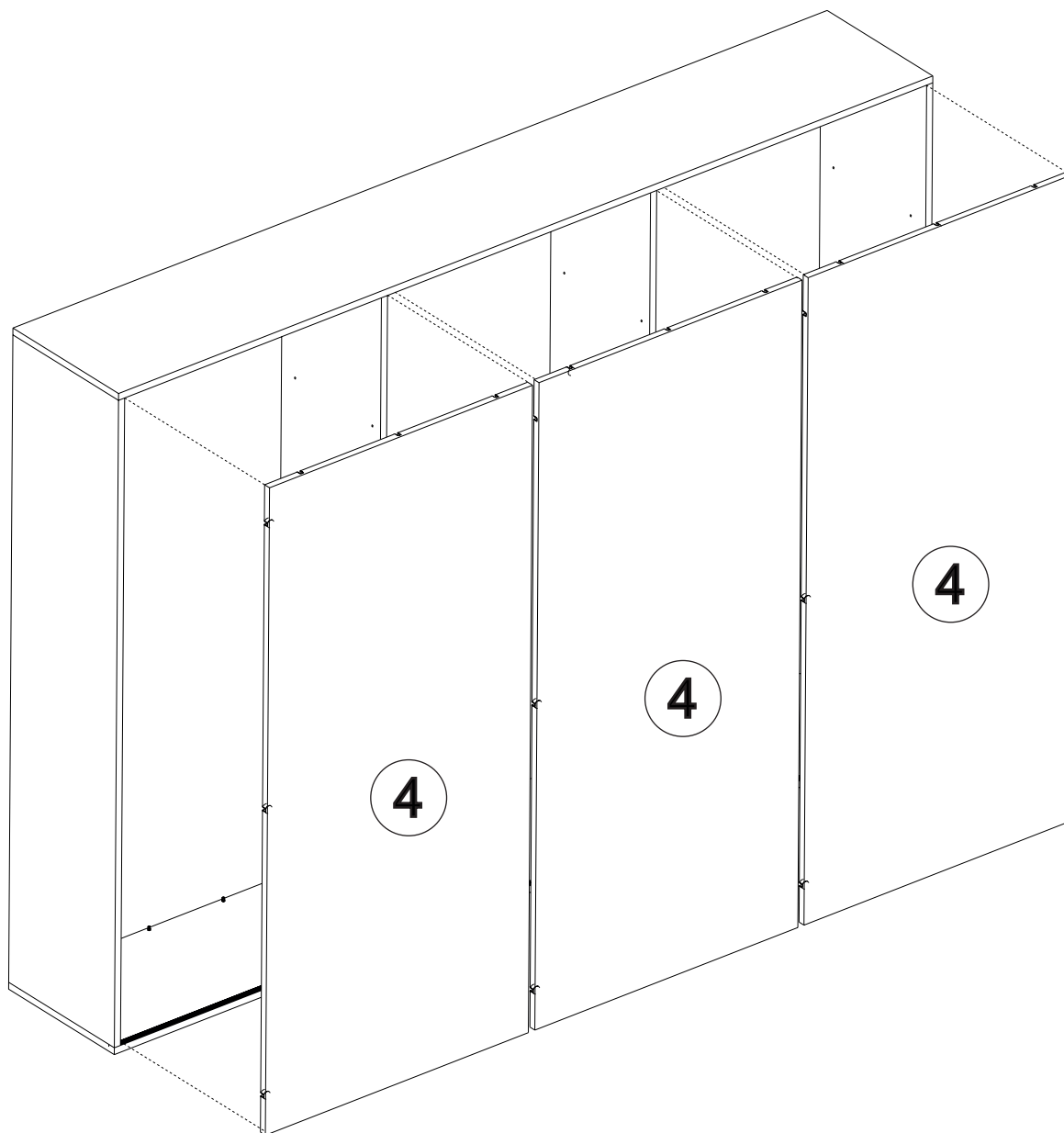
7



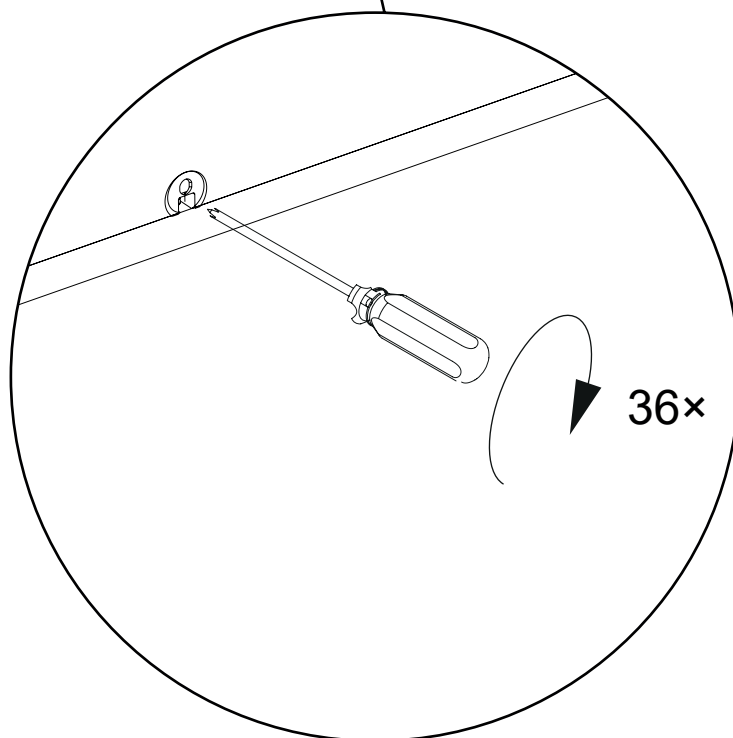
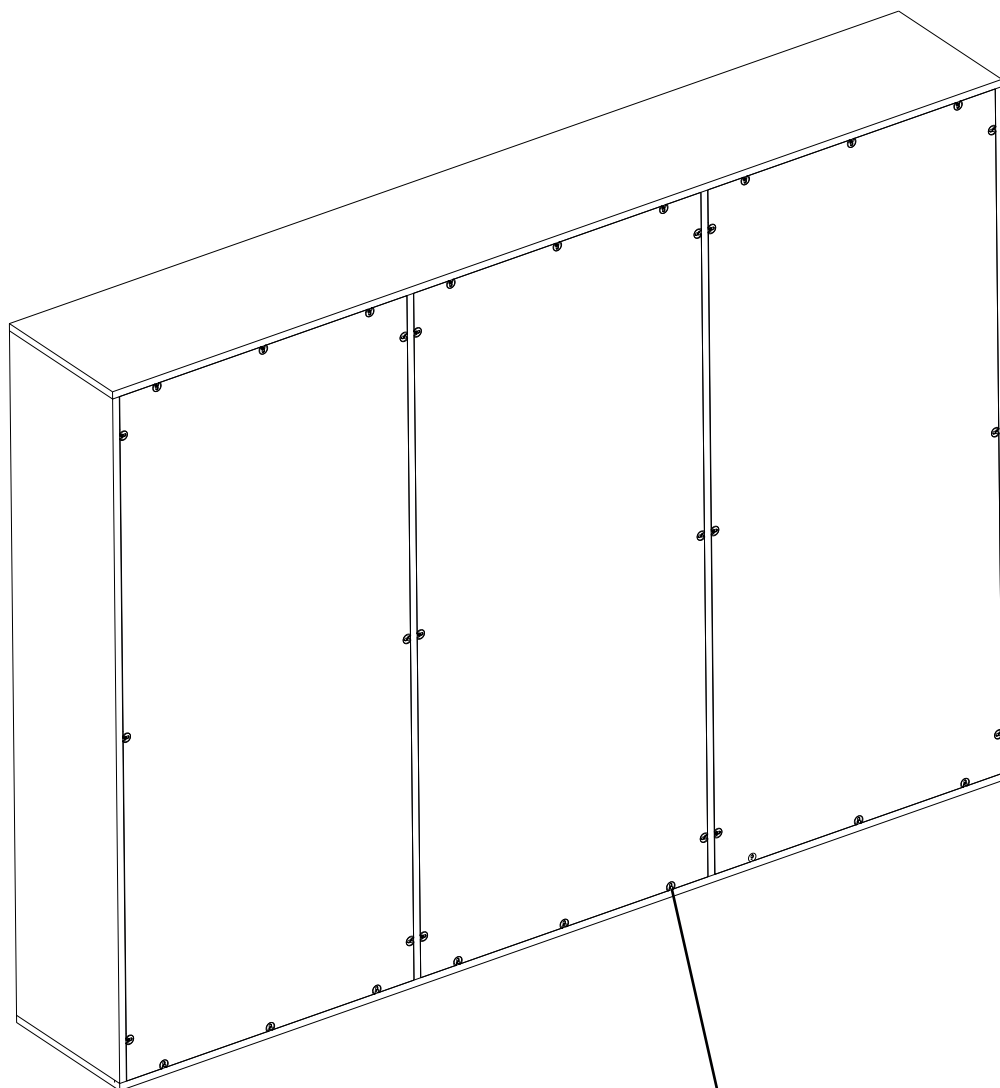
8



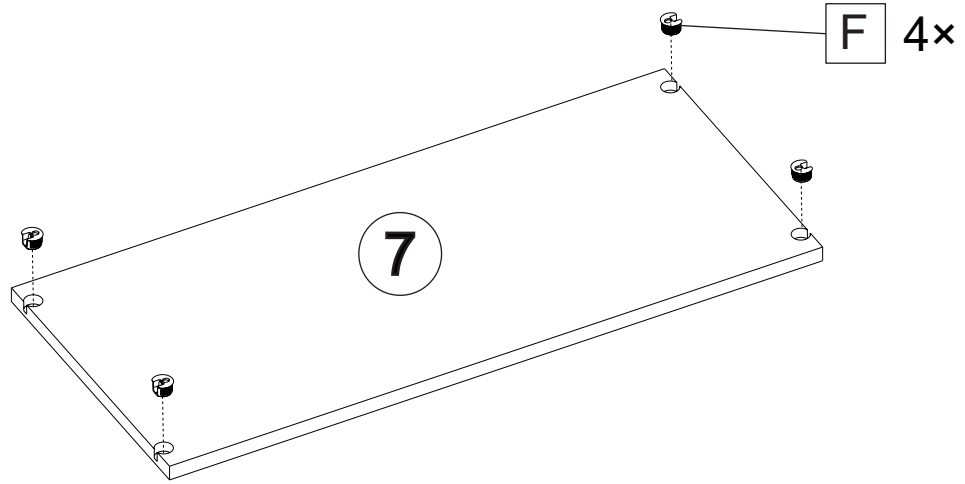
9



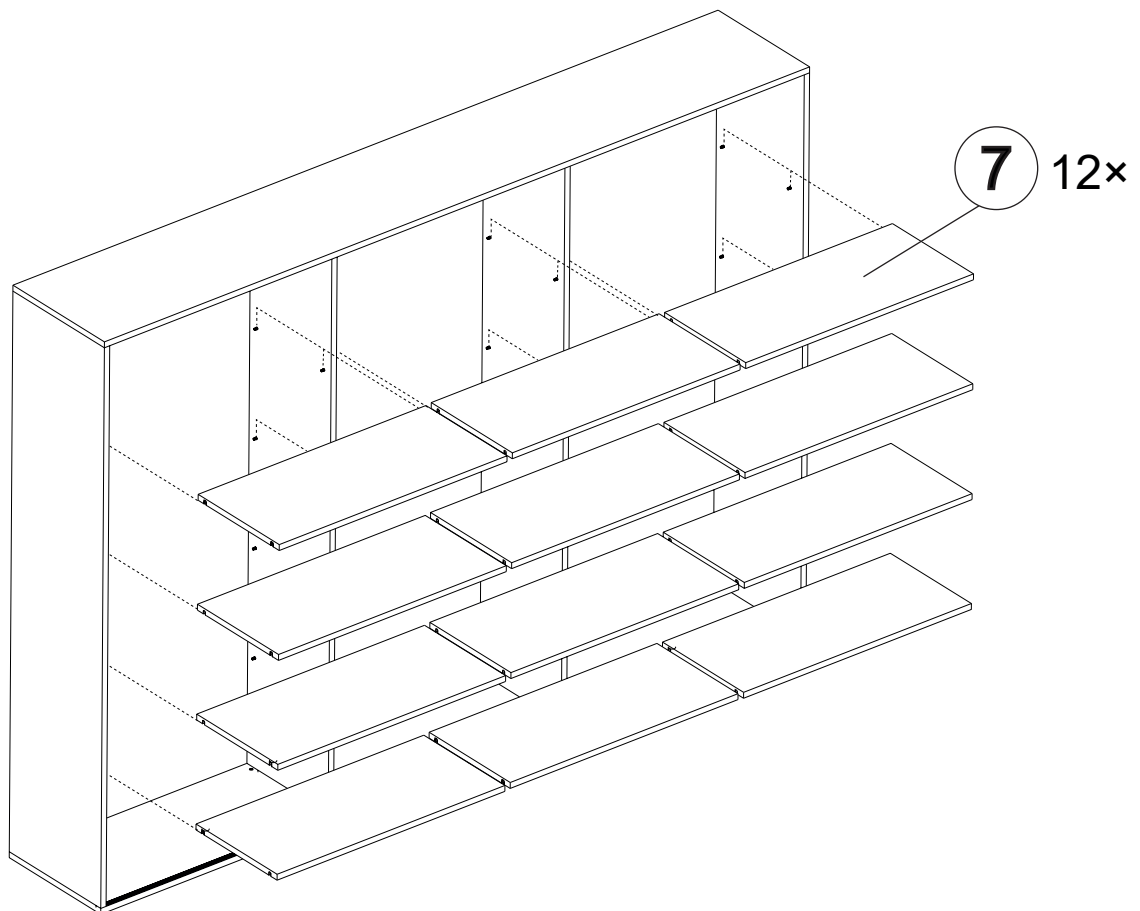
10



11

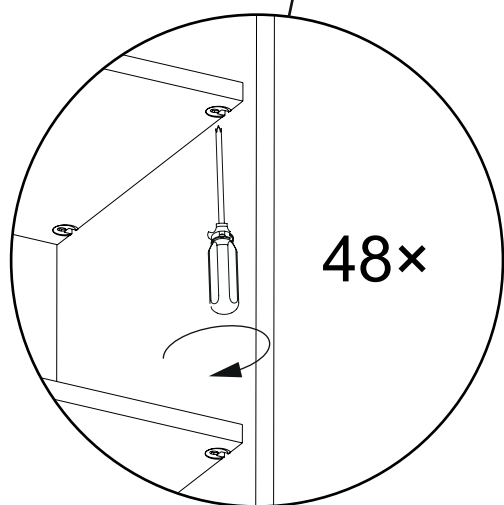
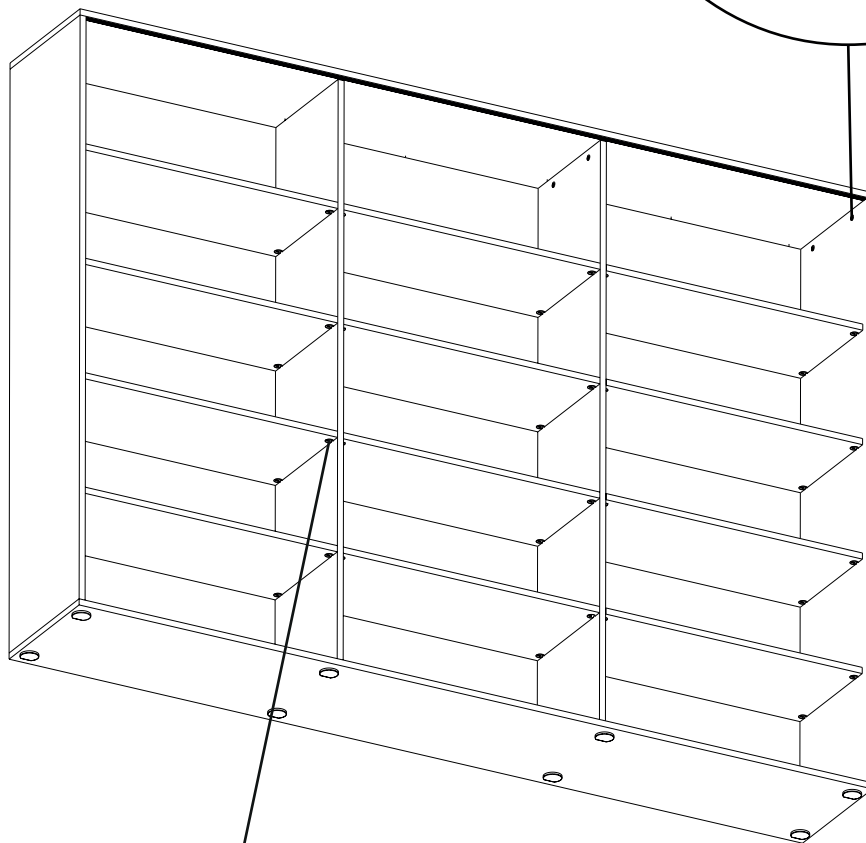
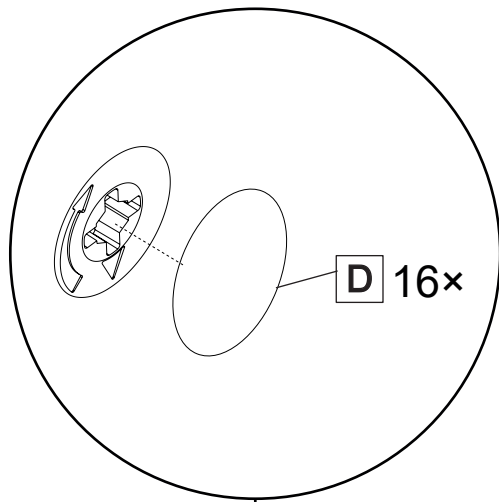


12

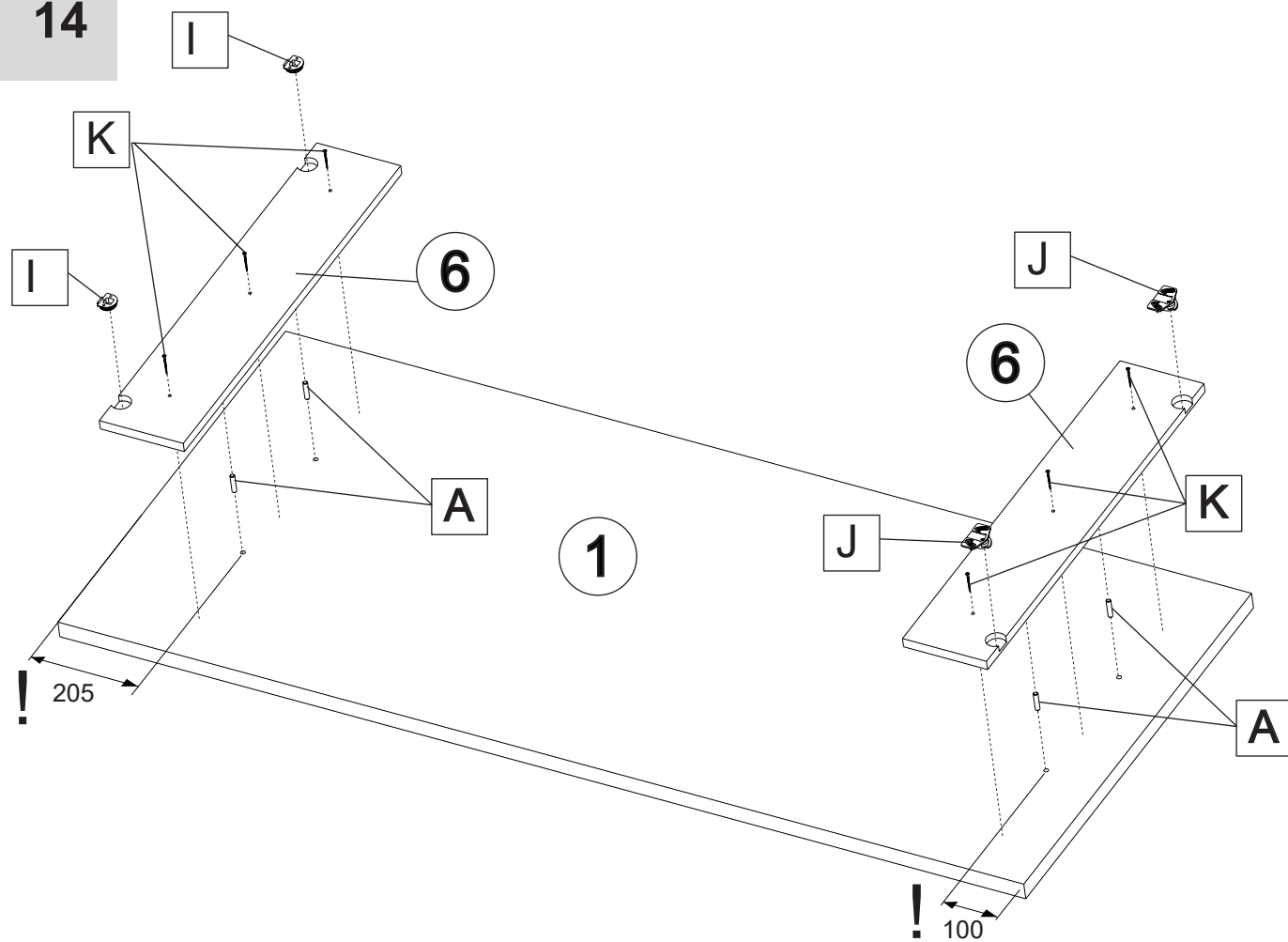




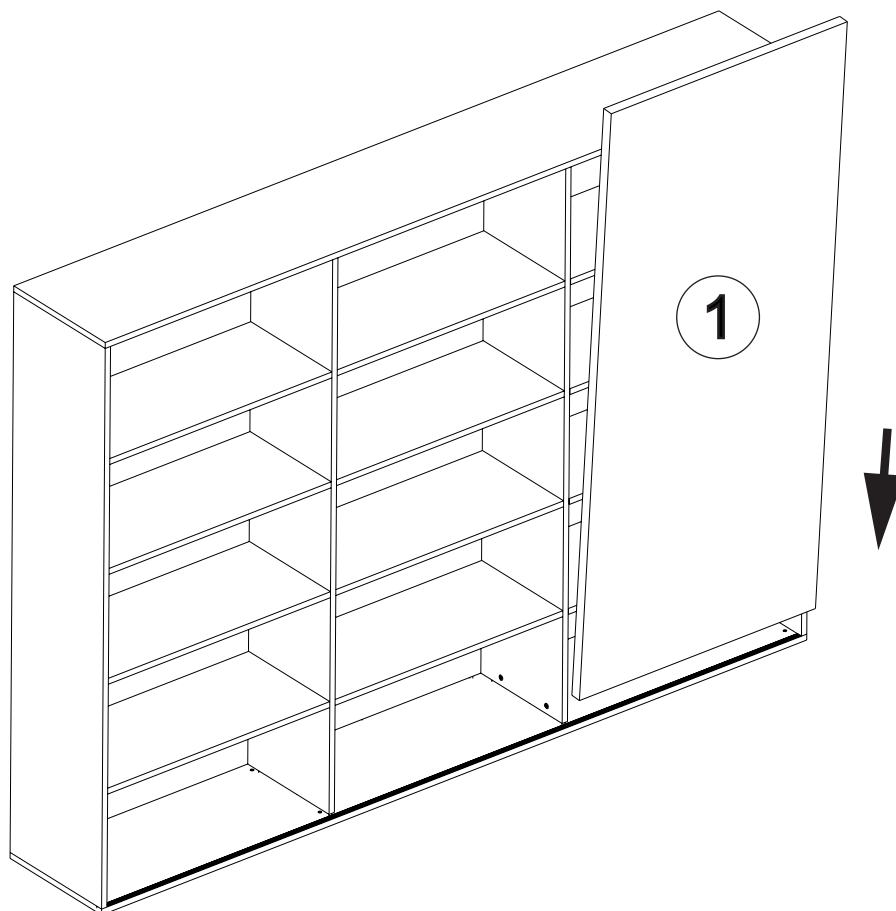
13



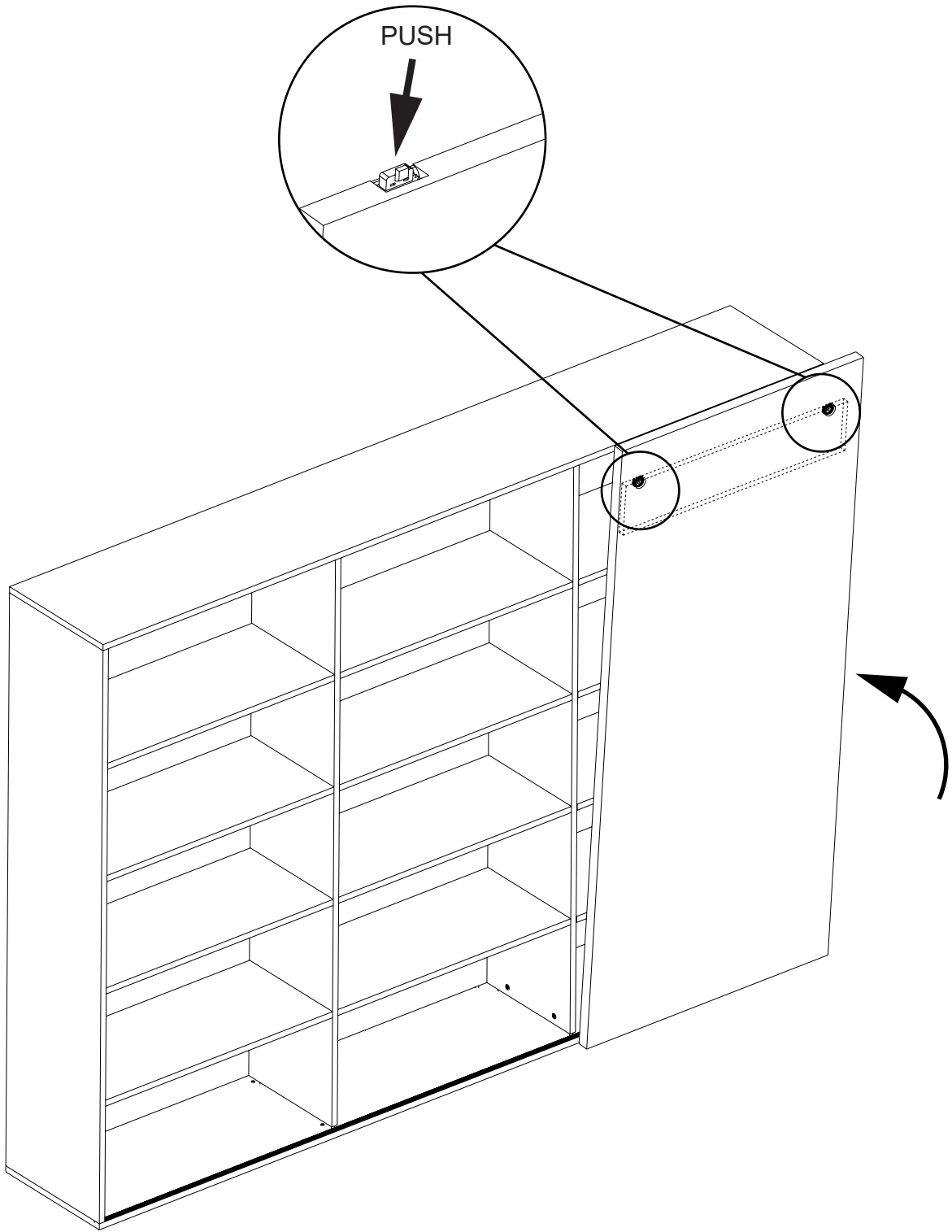
14



15



16



17

6x

