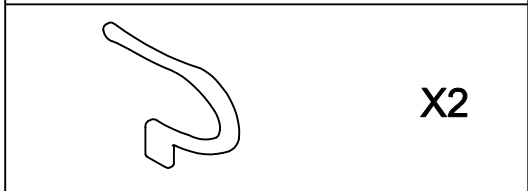
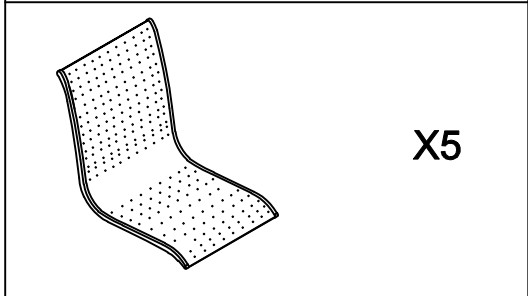


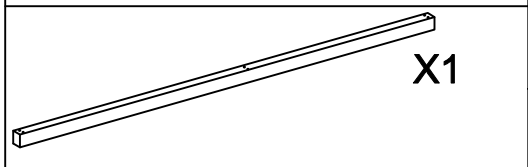
X3



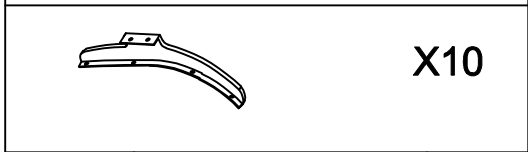
X2



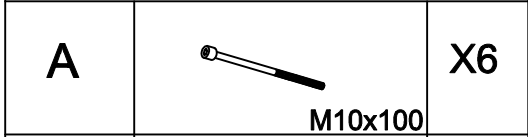
X5



X1



X10



A

M10x100

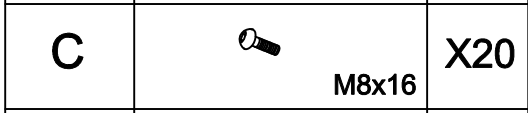
X6



B

M8x12

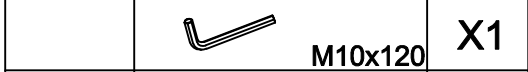
X40



C

M8x16

X20



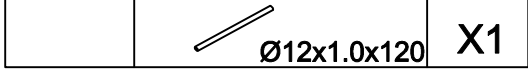
M10x120

X1



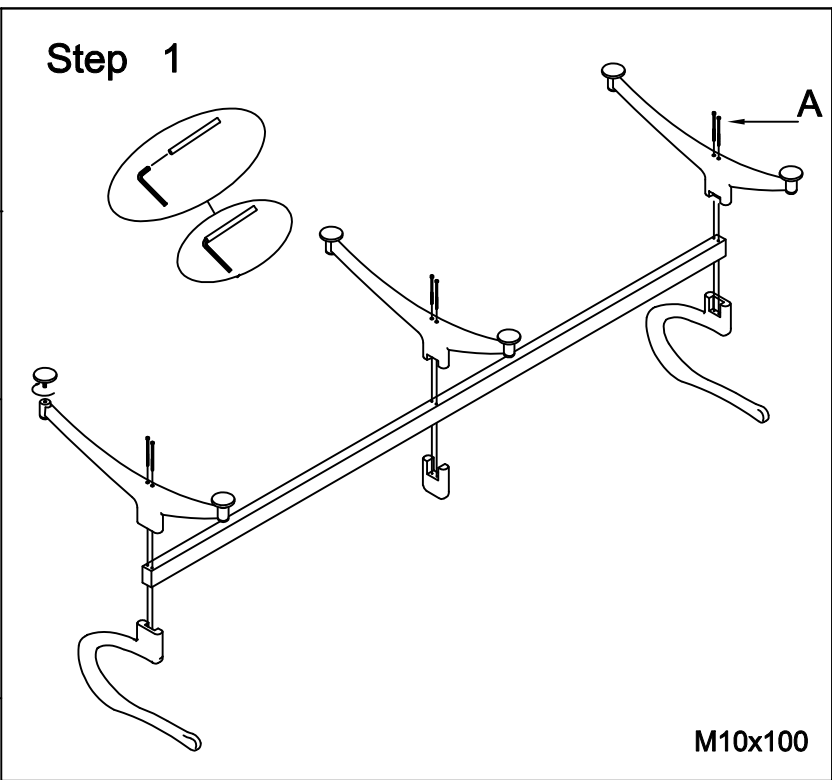
M8x85

X1



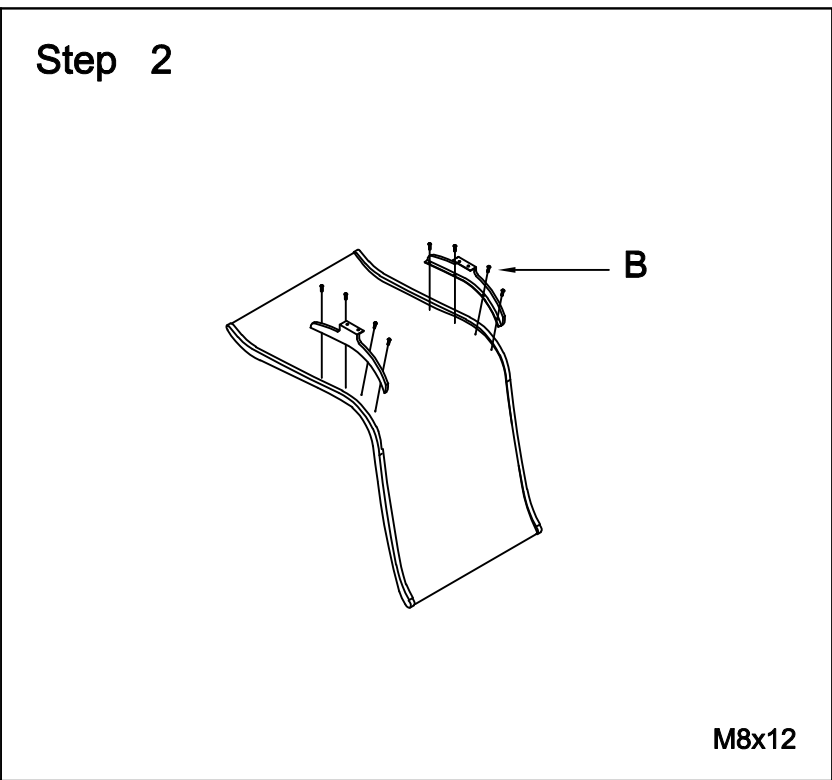
Ø12x1.0x120

X1



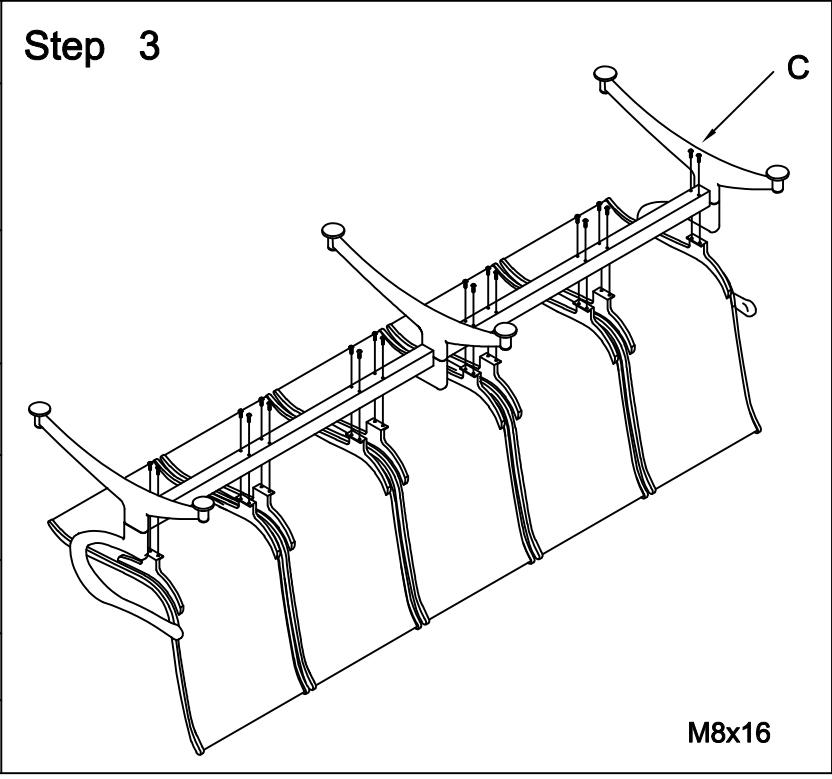
Step 1

M10x100



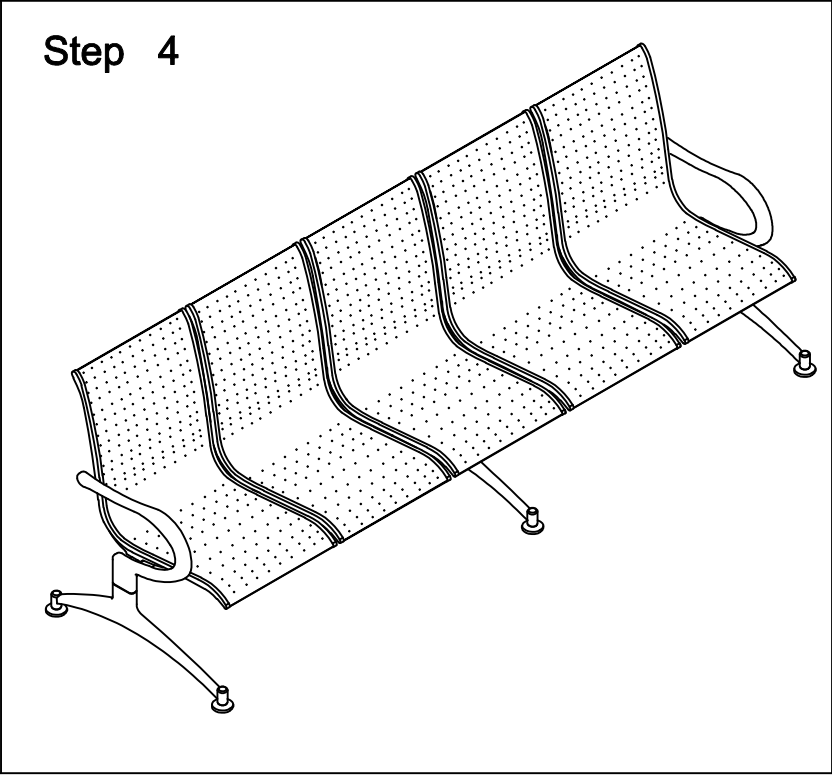
Step 2

M8x12



Step 3

M8x16



Step 4