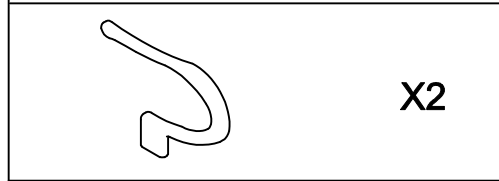
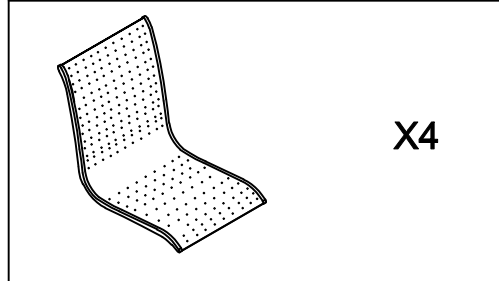


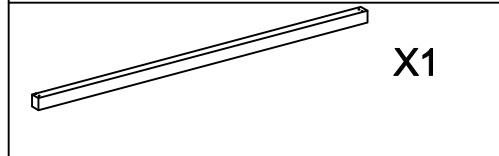
X2



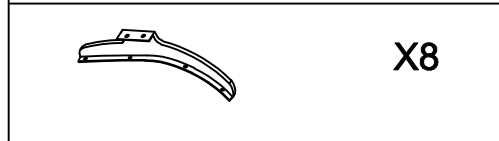
X2



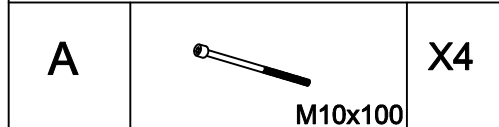
X4



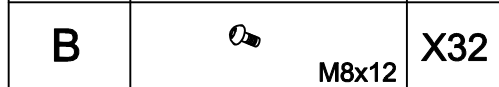
X1



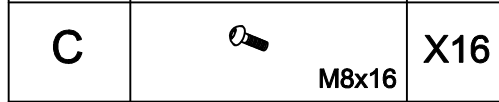
X8



M10x100



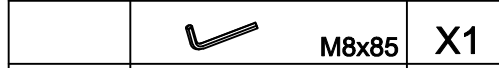
M8x12



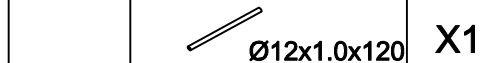
M8x16



M10x120

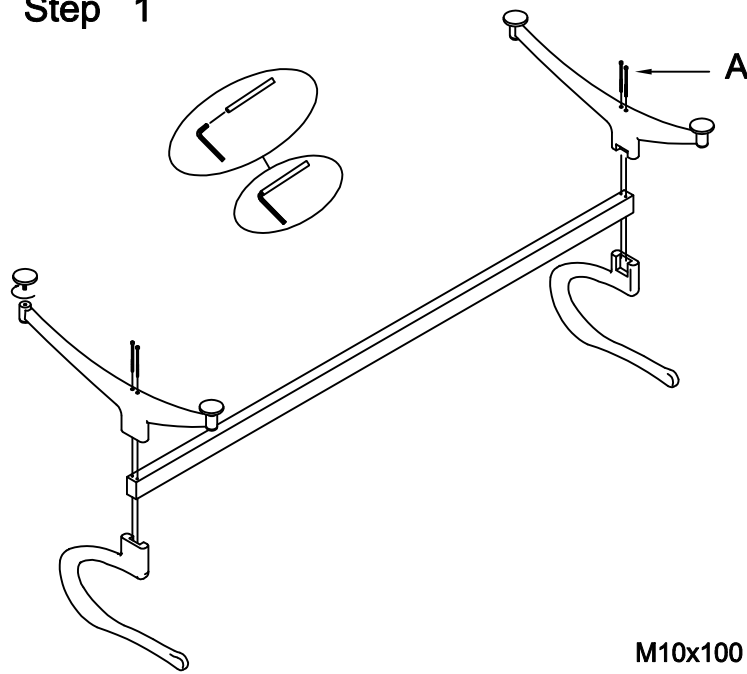


M8x85



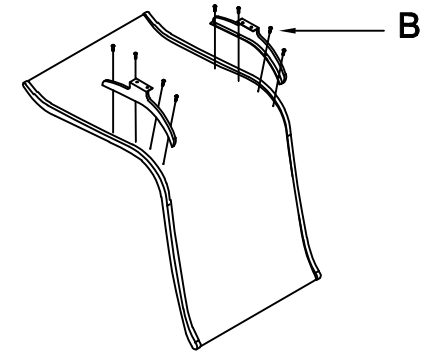
Ø12x1.0x120

Step 1



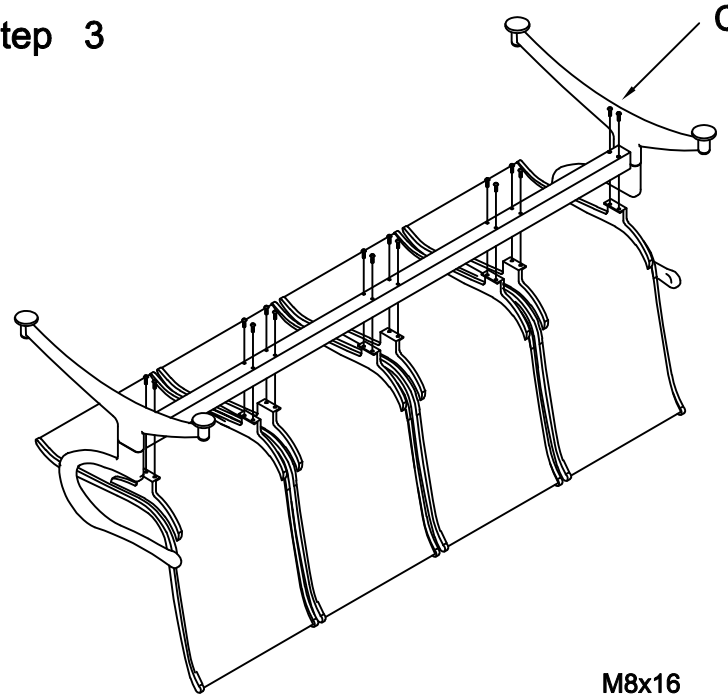
M10x100

Step 2



M8x12

Step 3



M8x16

Step 4

