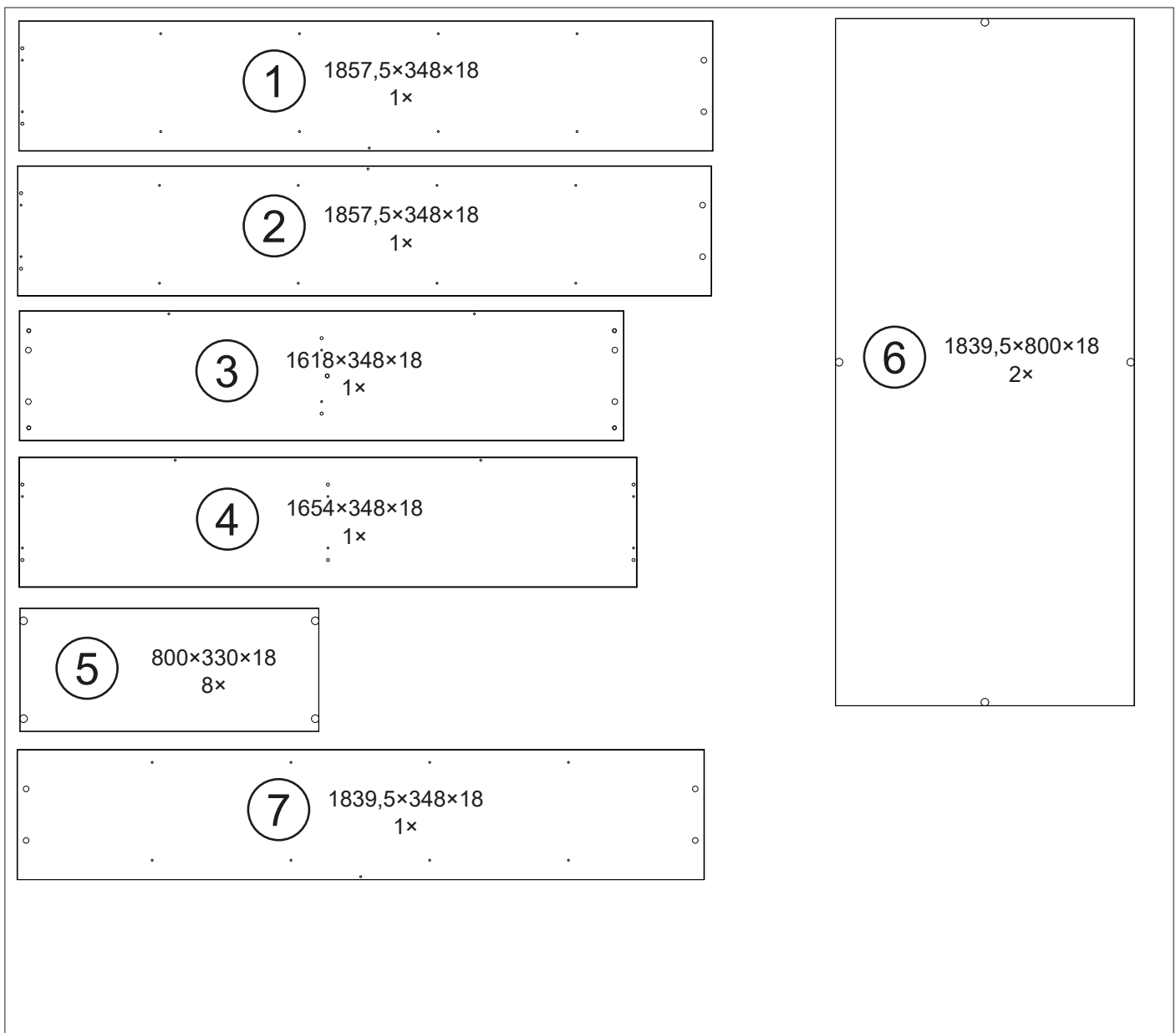
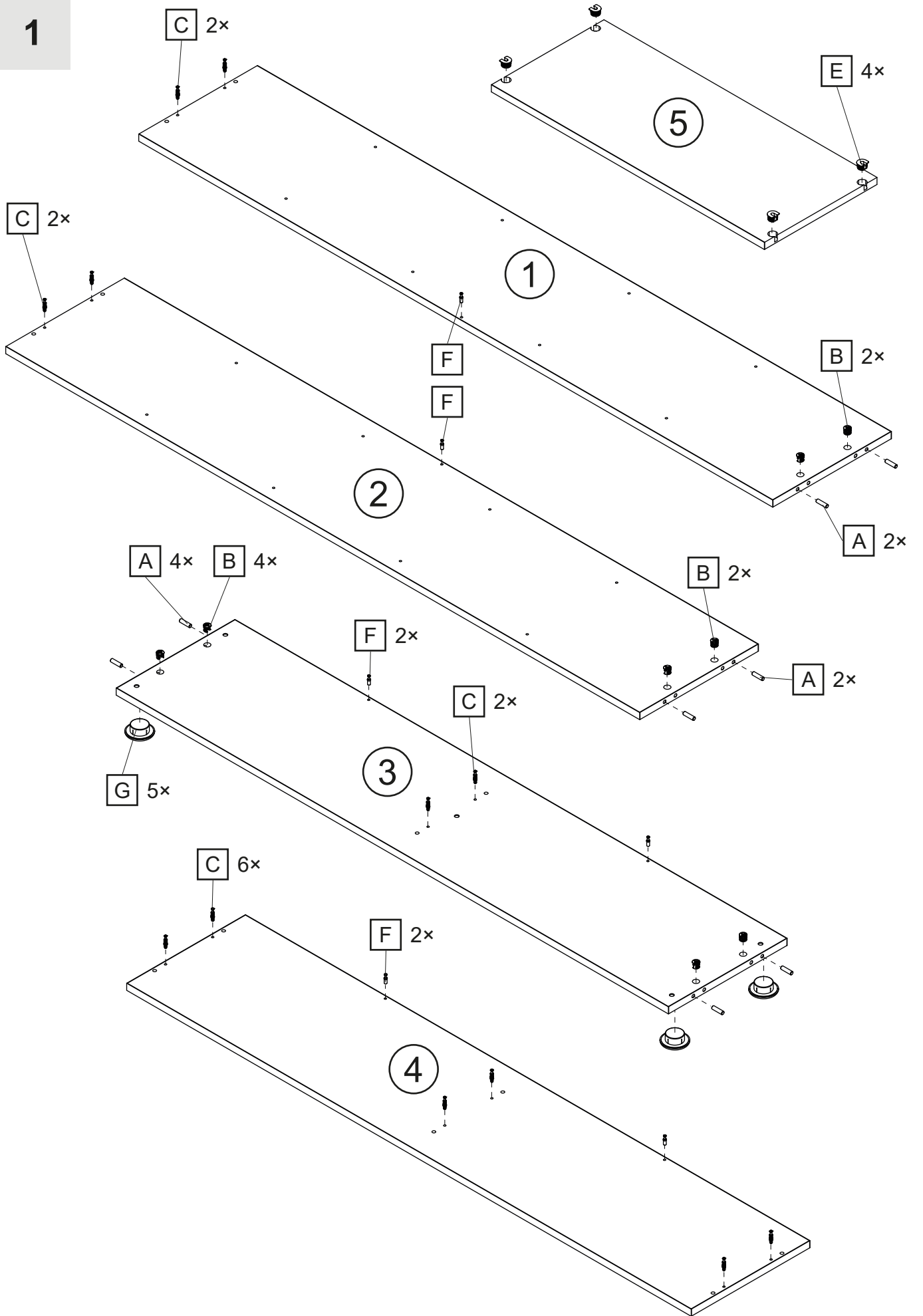
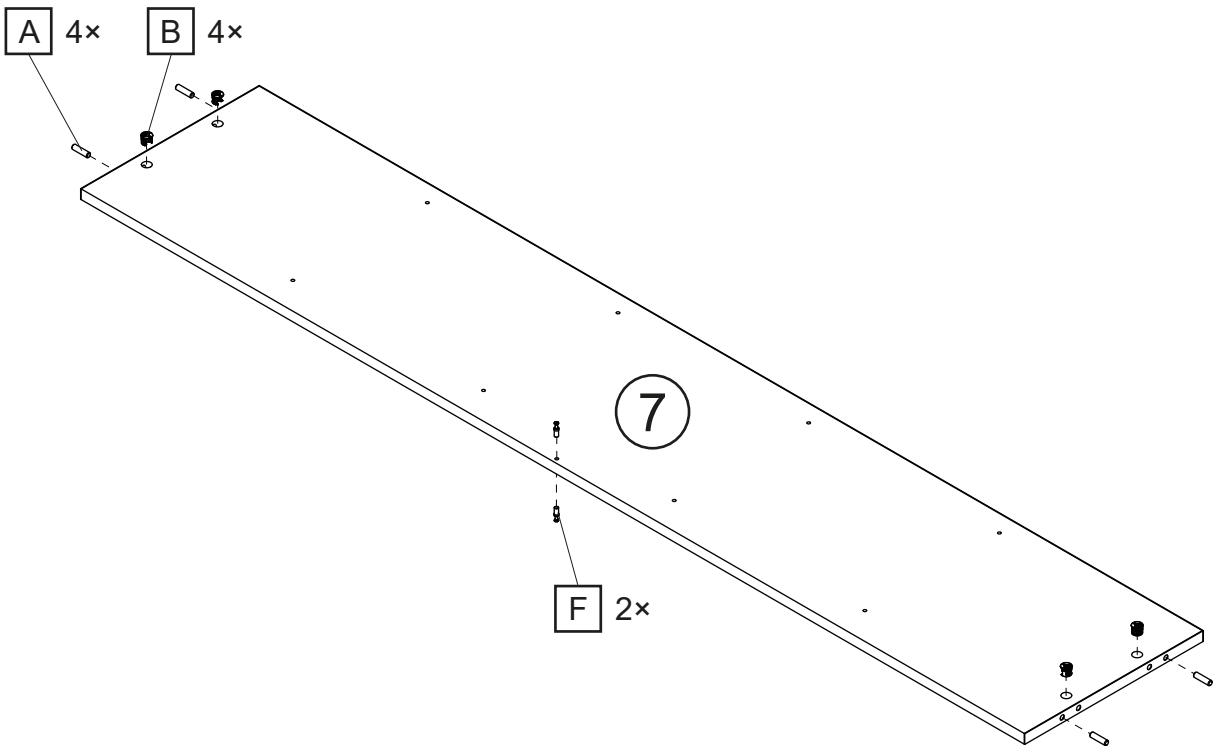
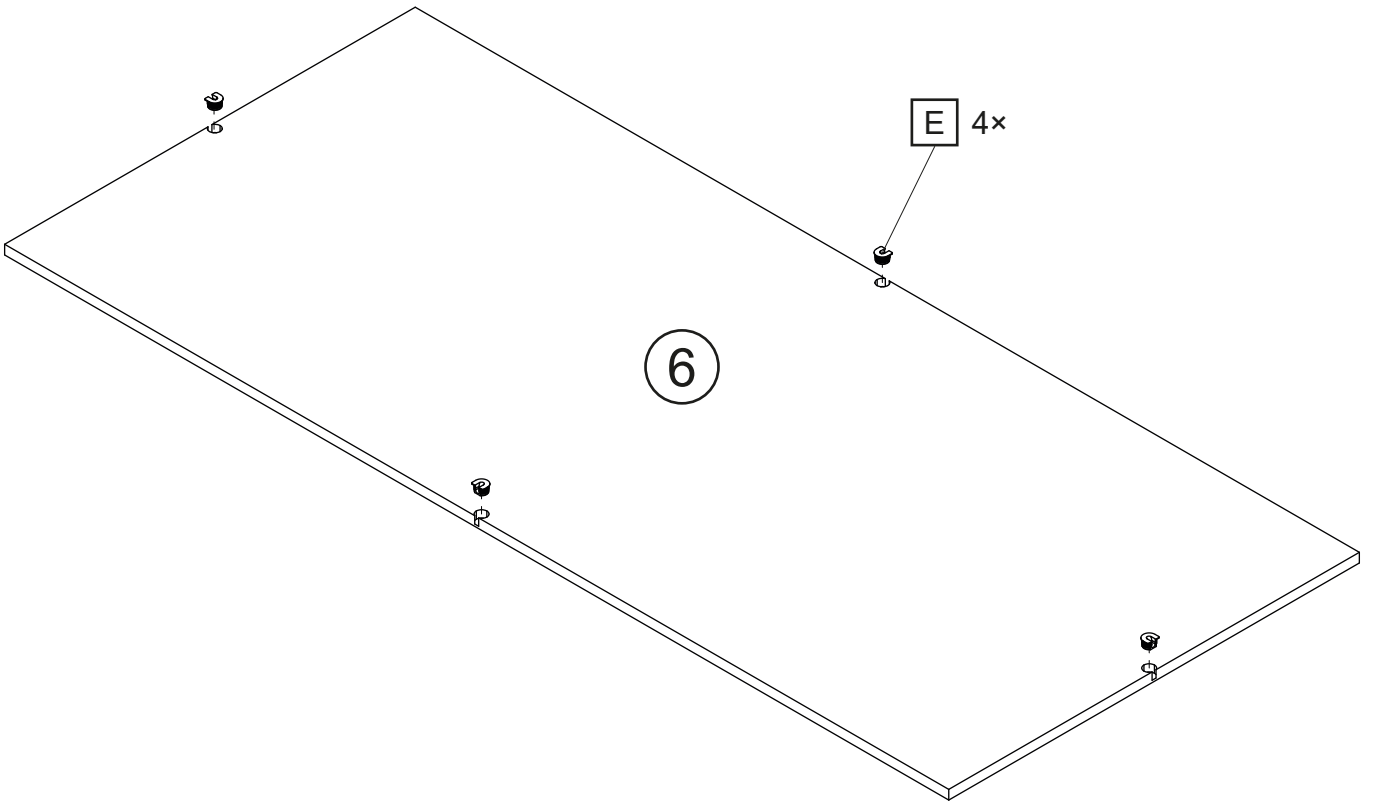

Ø8 x 35		Ø8 x 24				
A 12x	B 12x	C 12x	D 12x	E 40x	F 40x	G 5x



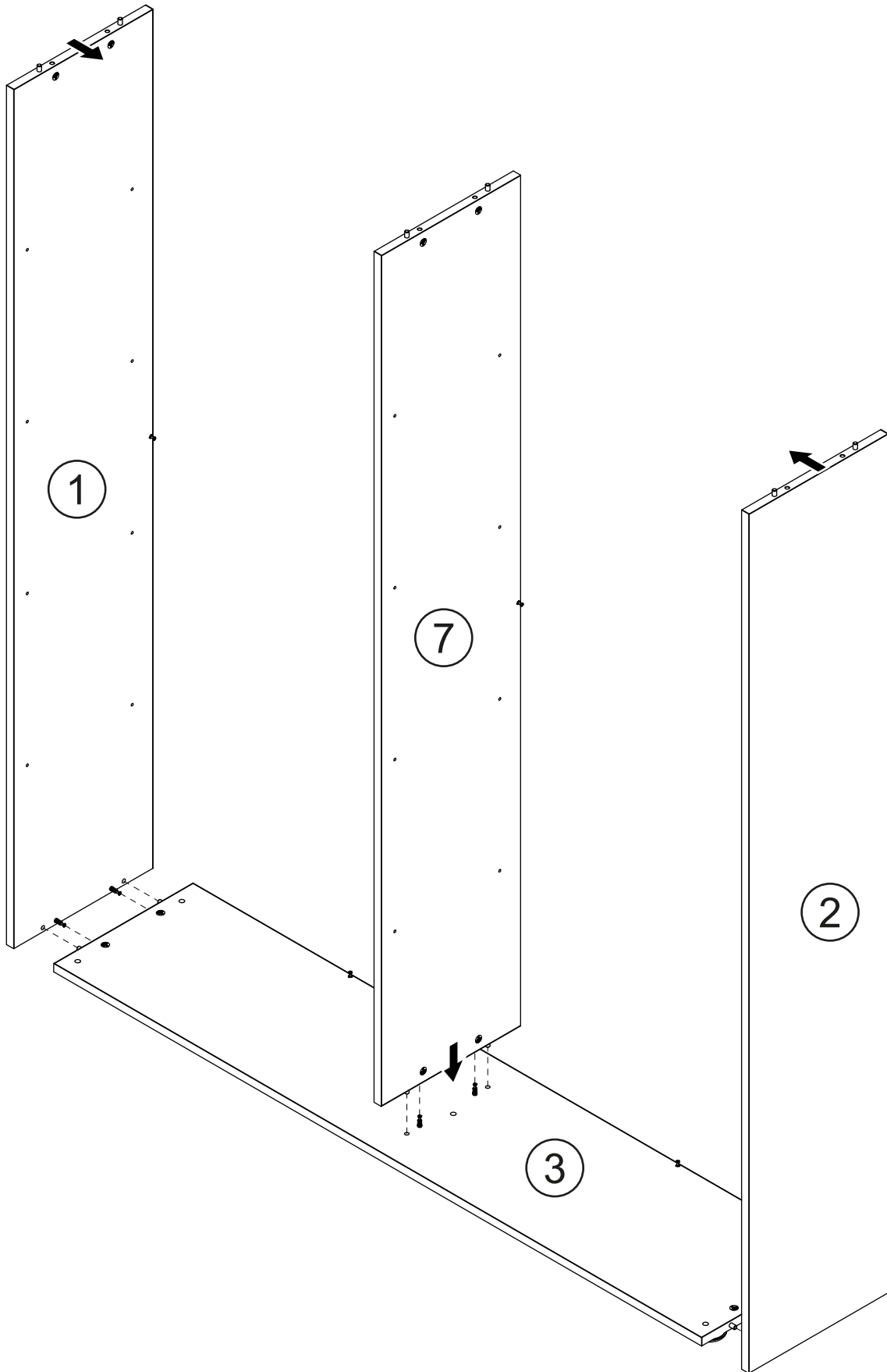
1



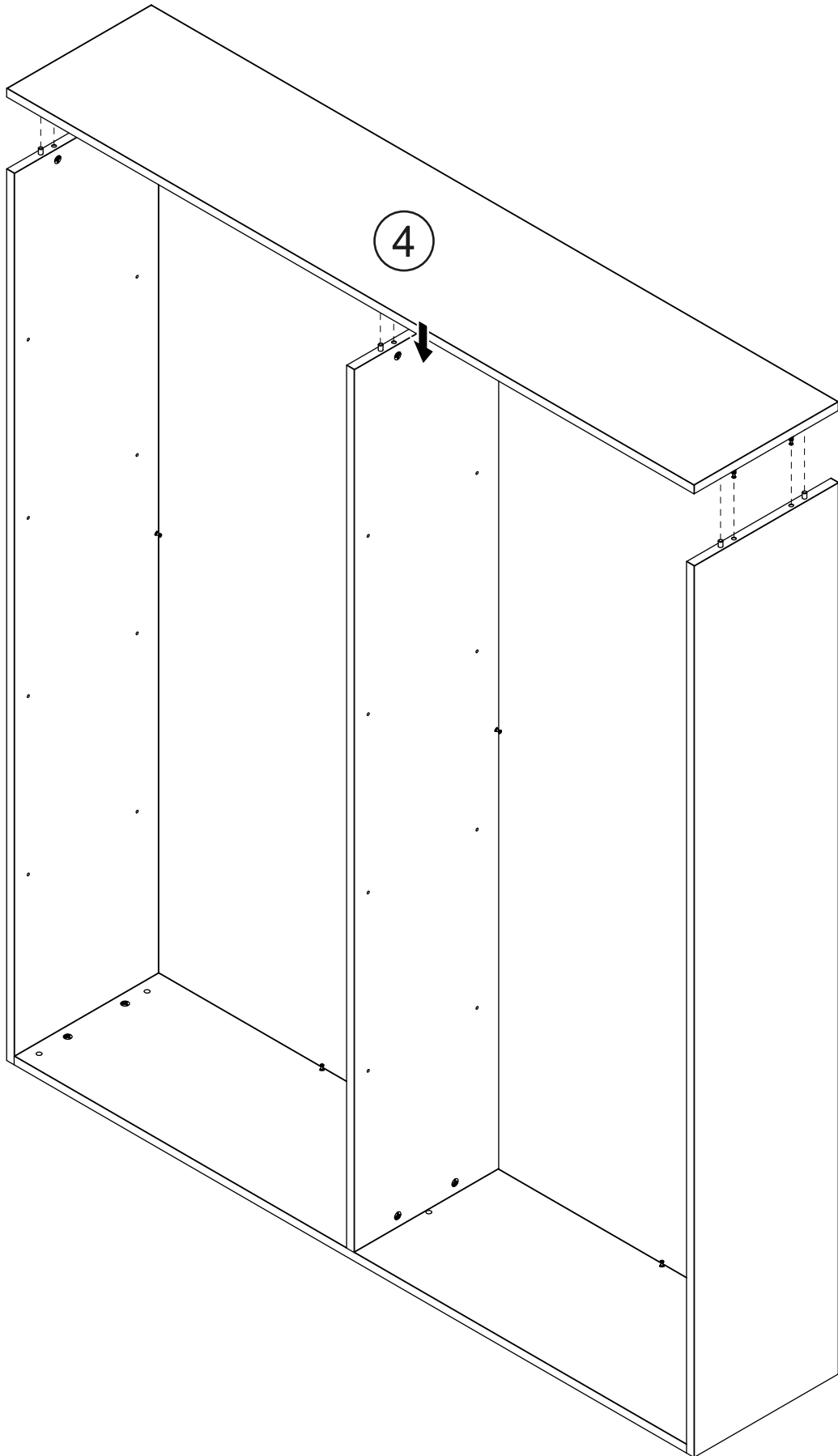
2



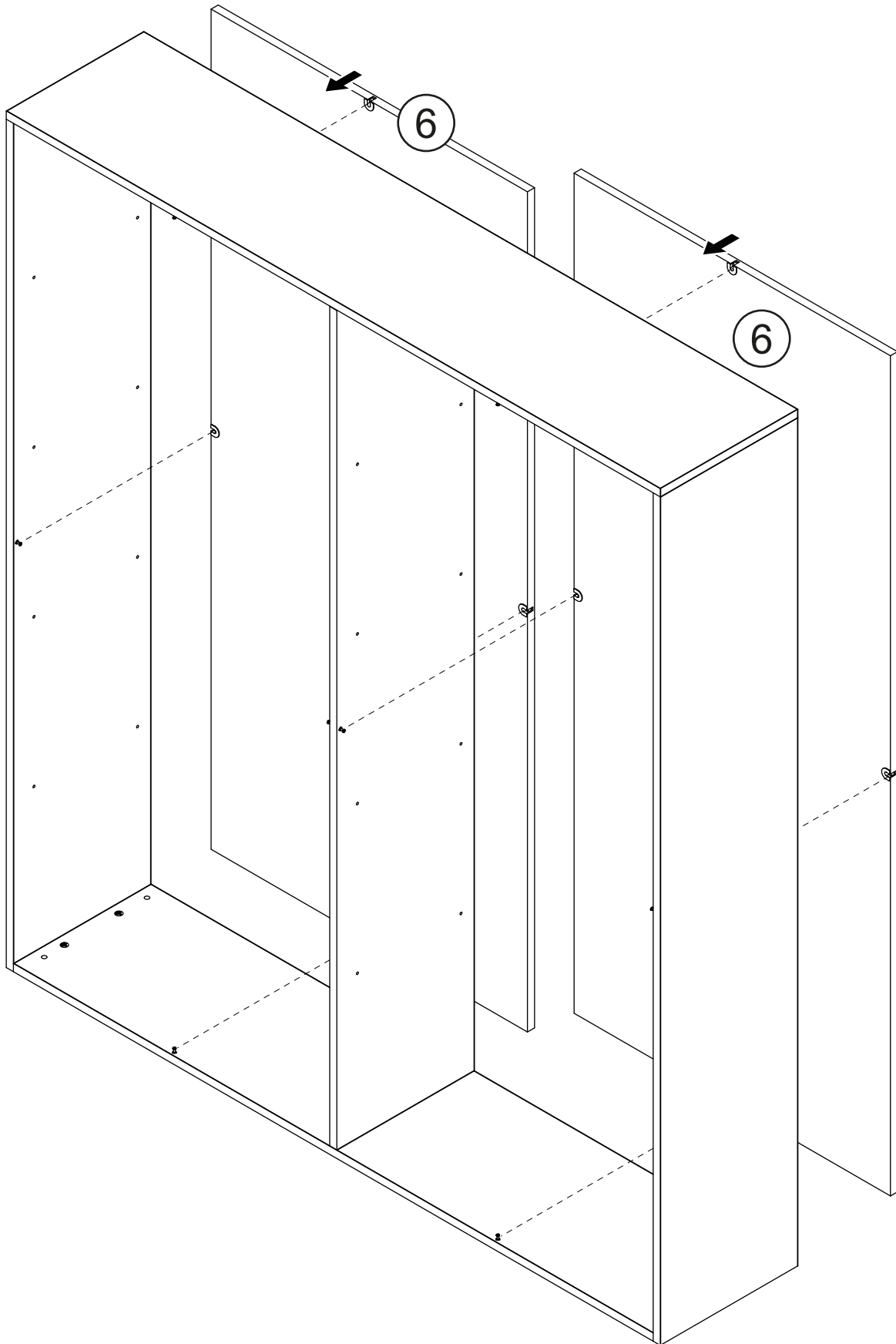
3



4

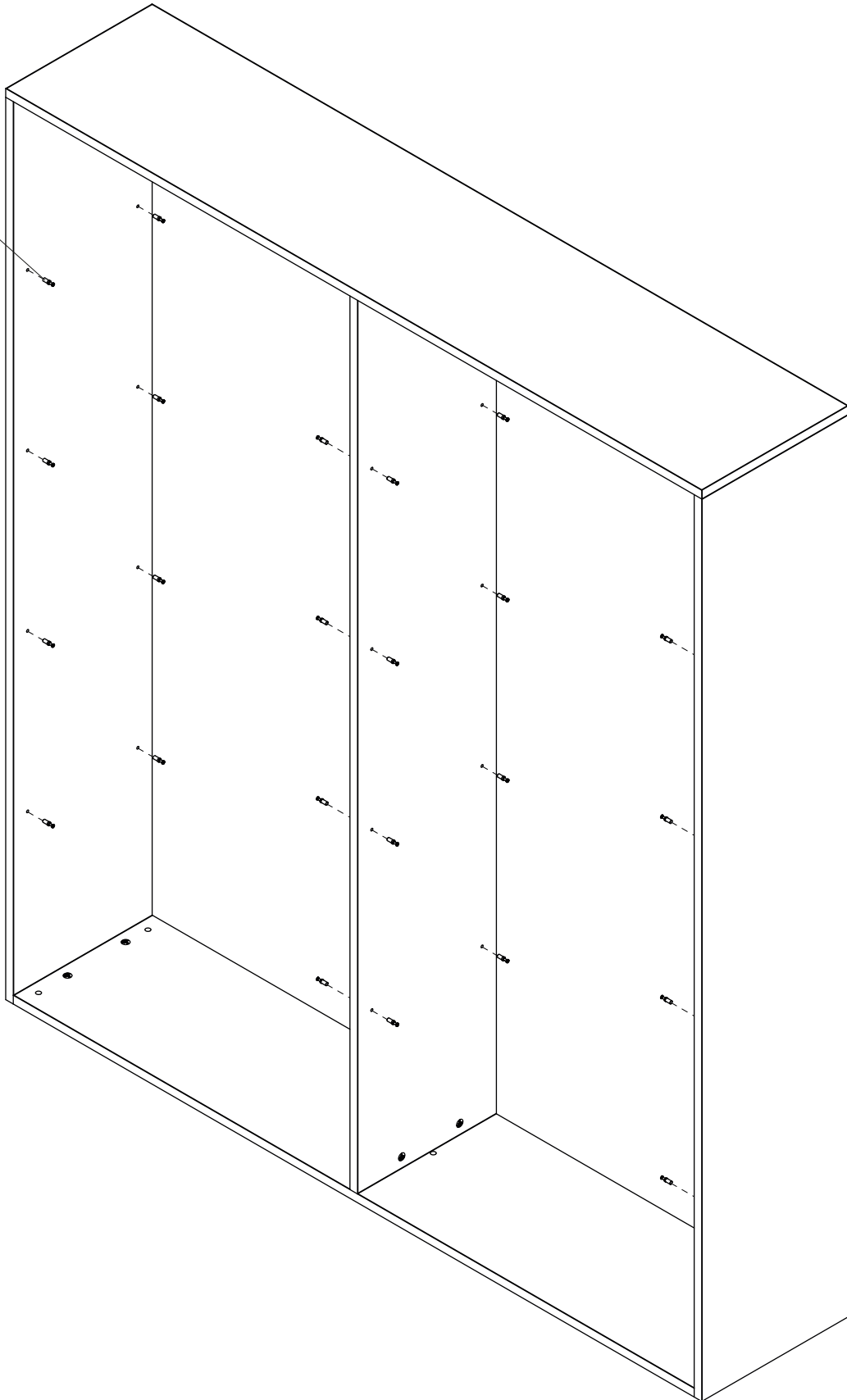


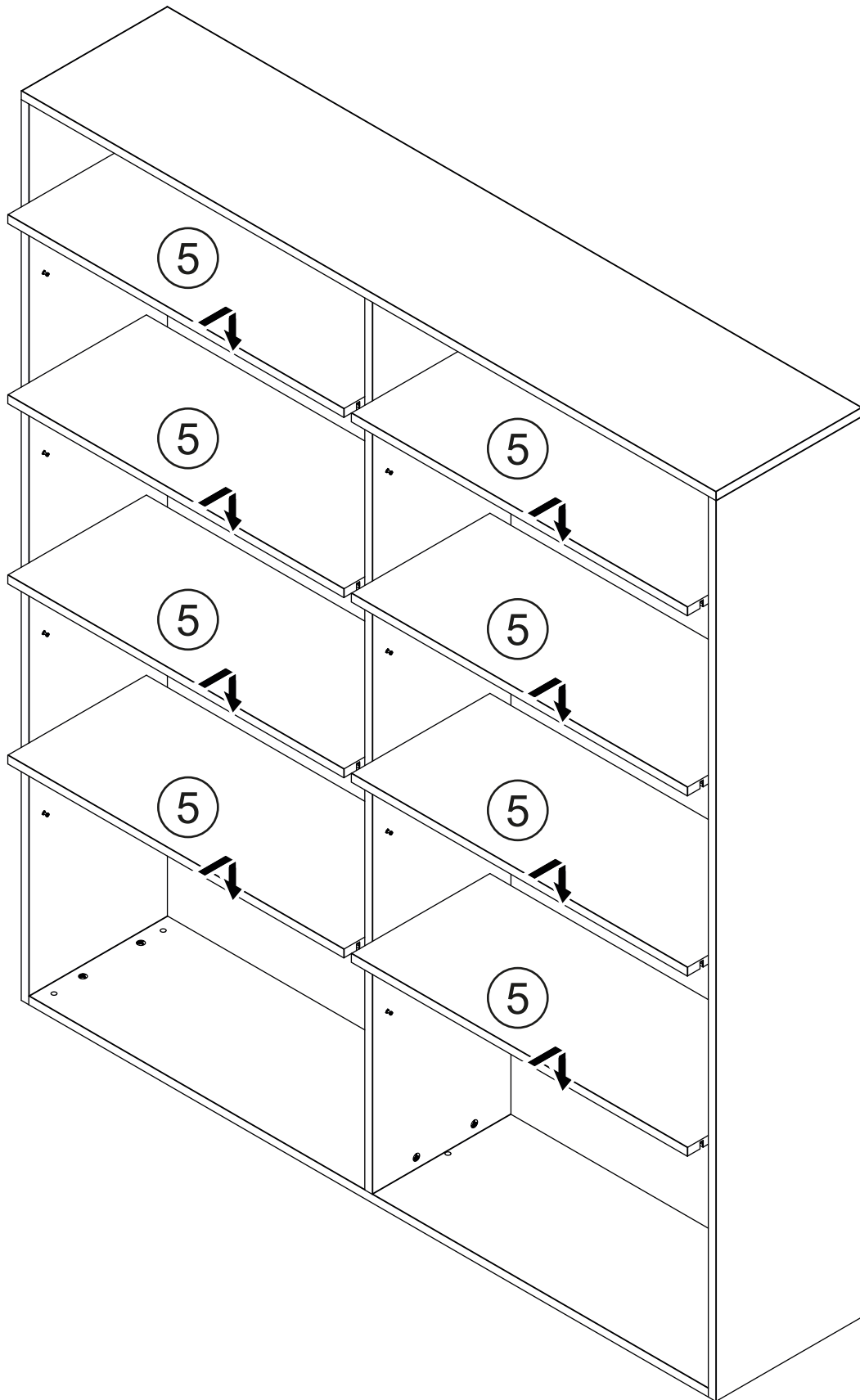
5



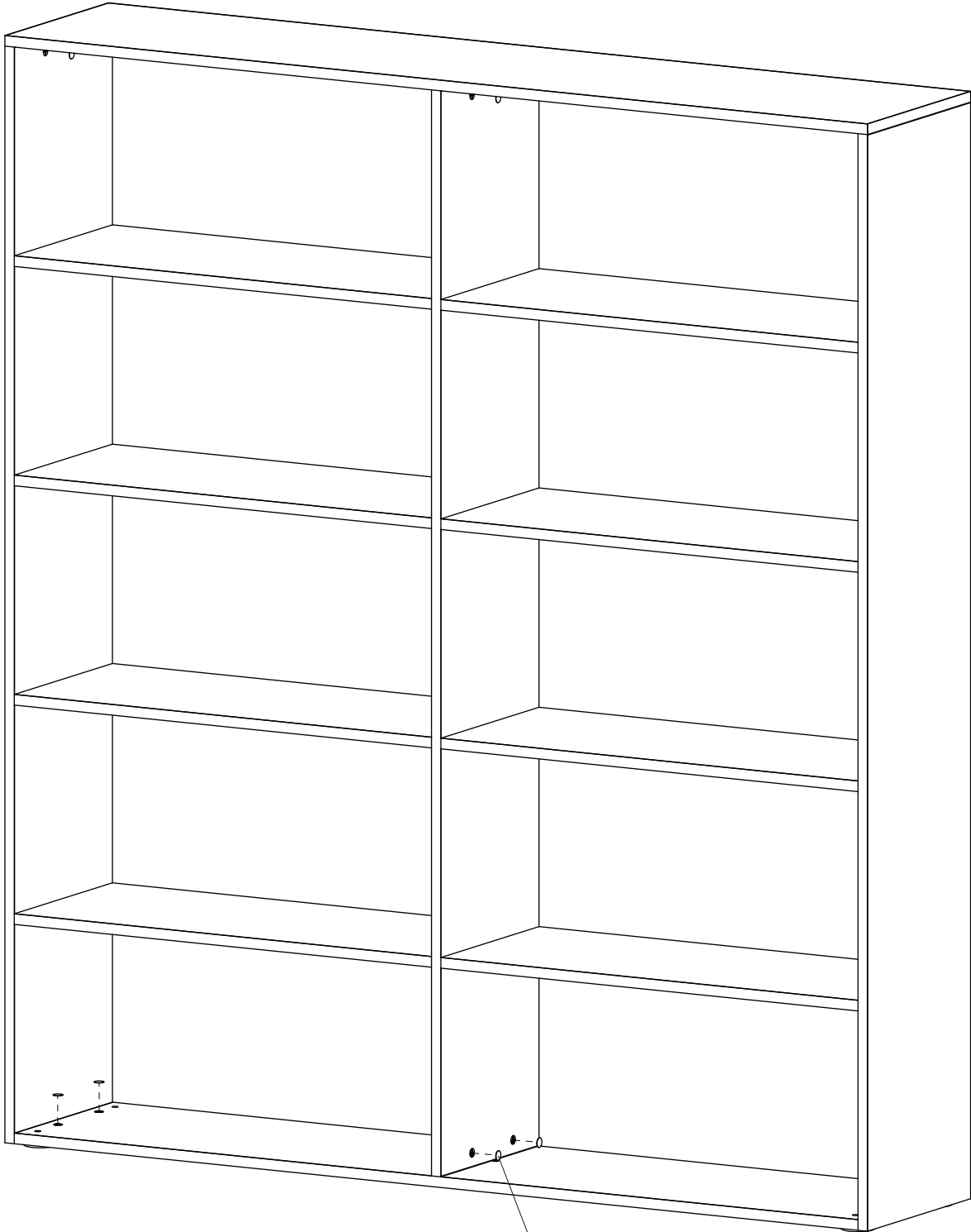
6

F 32x









D 16x