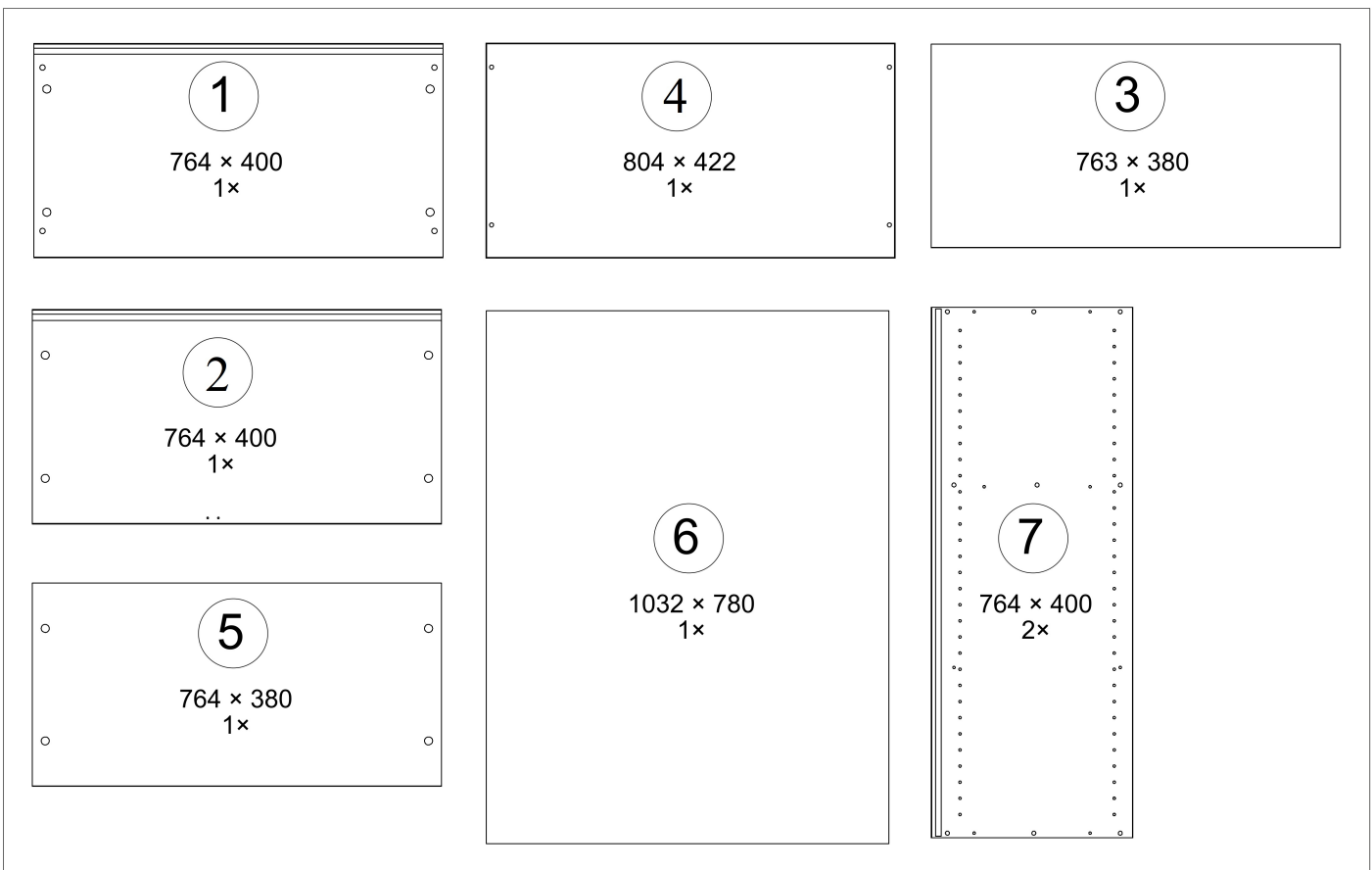
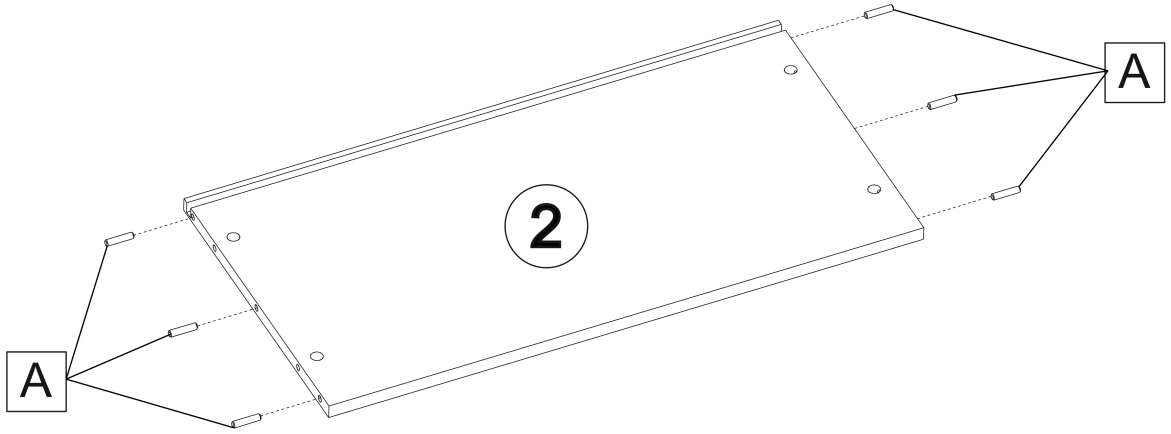
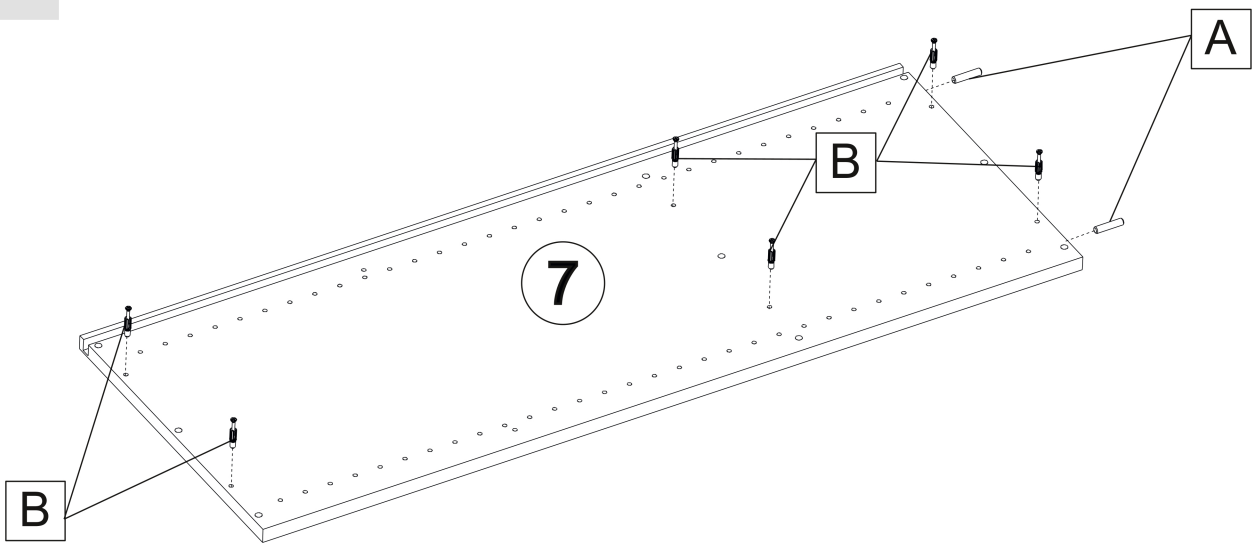

Ø8 x 35					
A 22x	B 12x	C 12x	D 12x	E 4x	F 4x



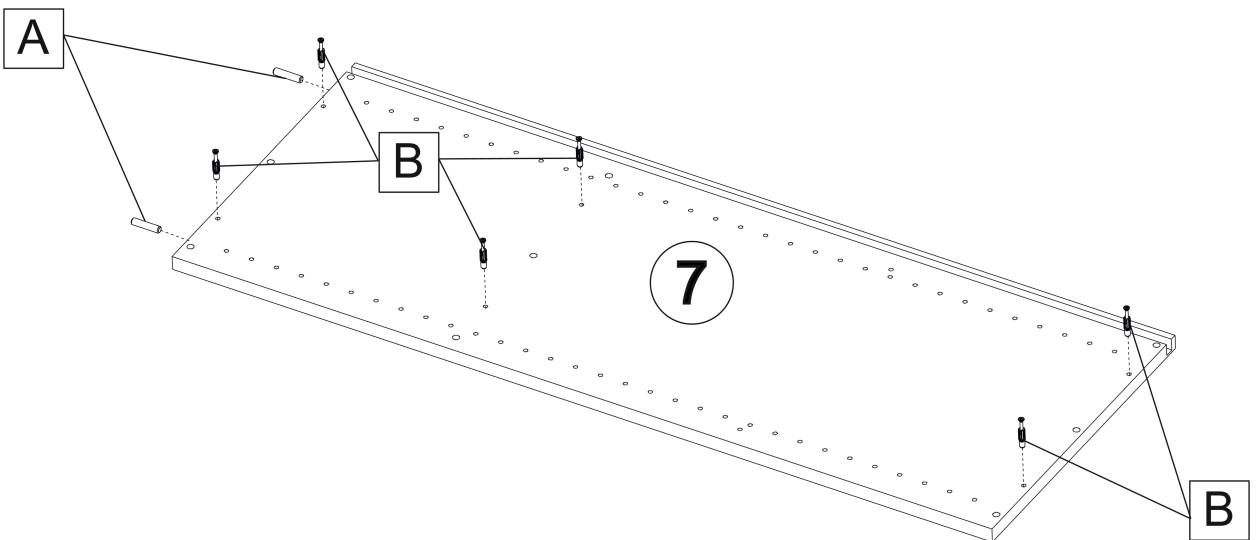
1



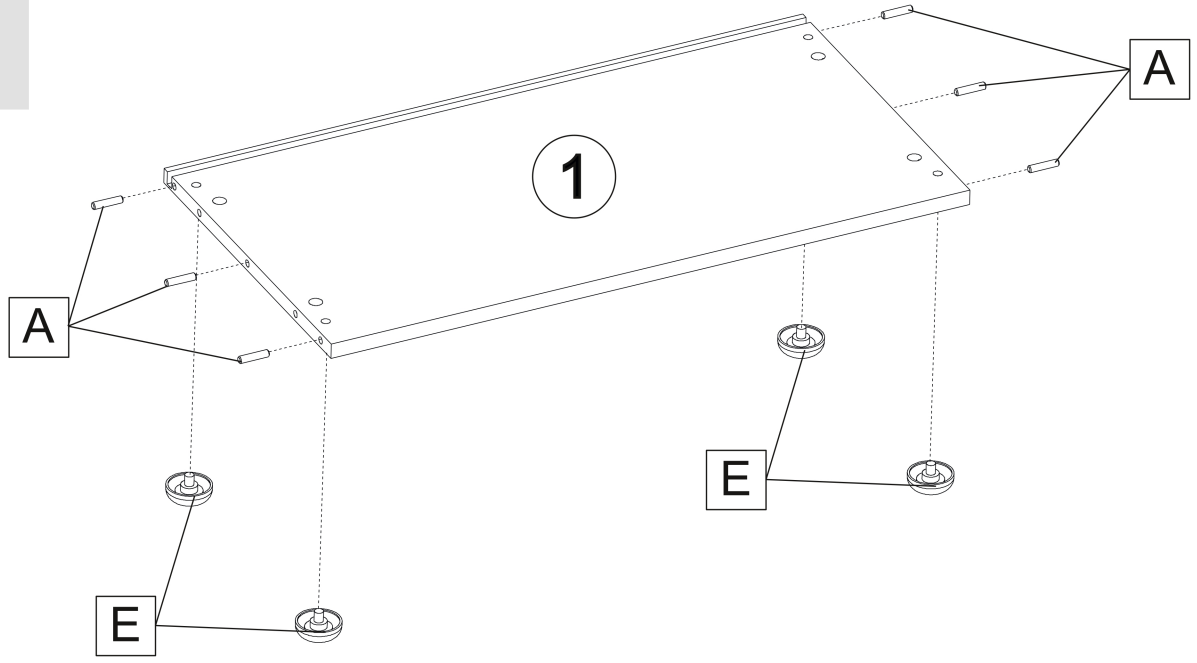
2



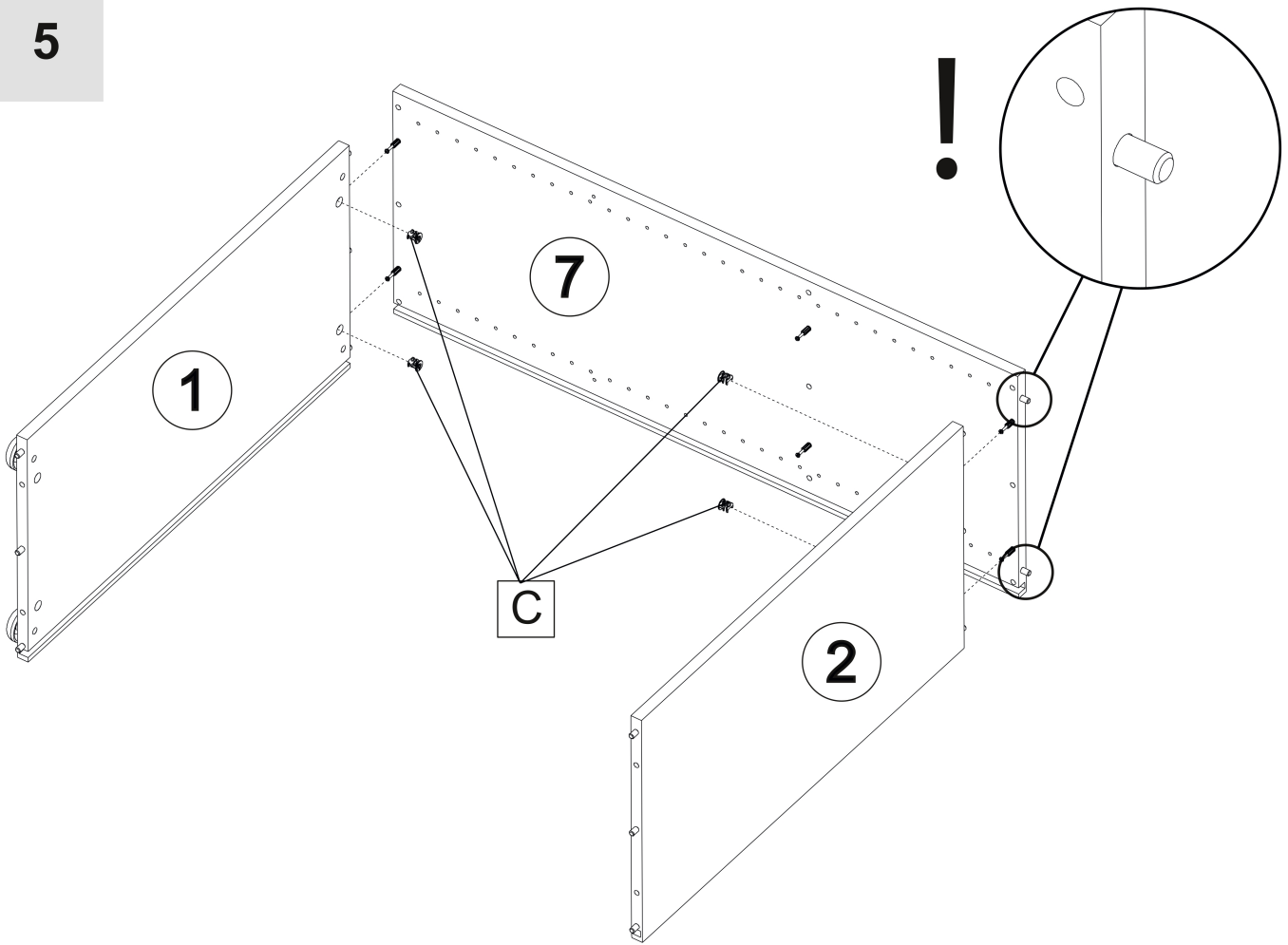
3



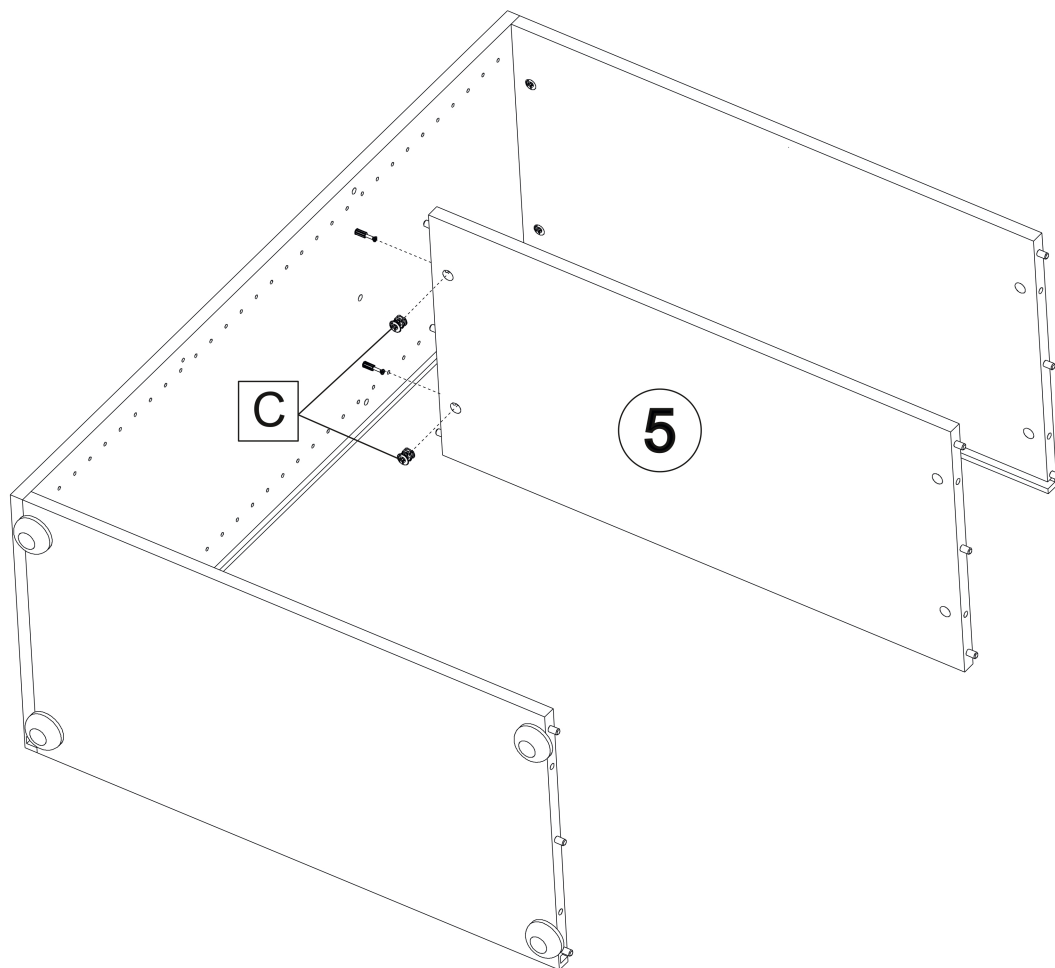
4



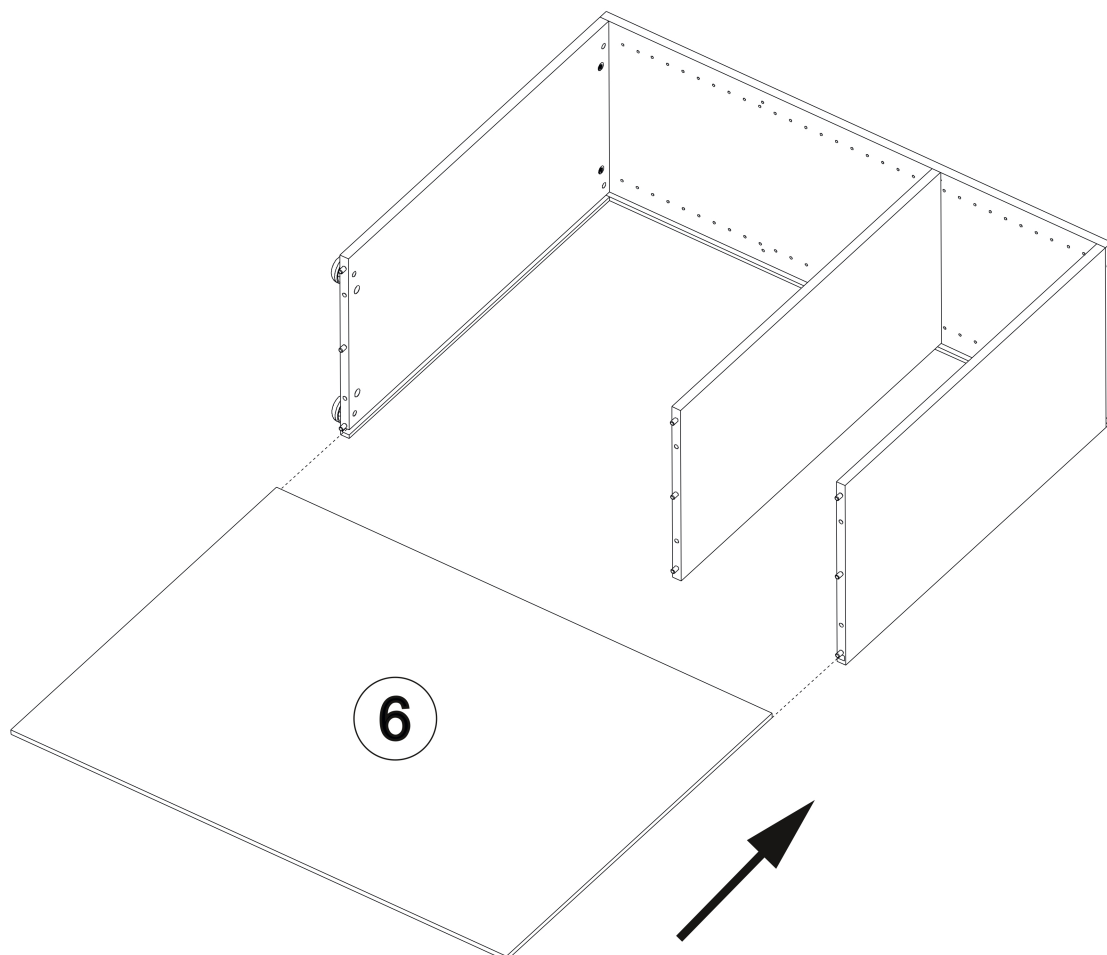
5



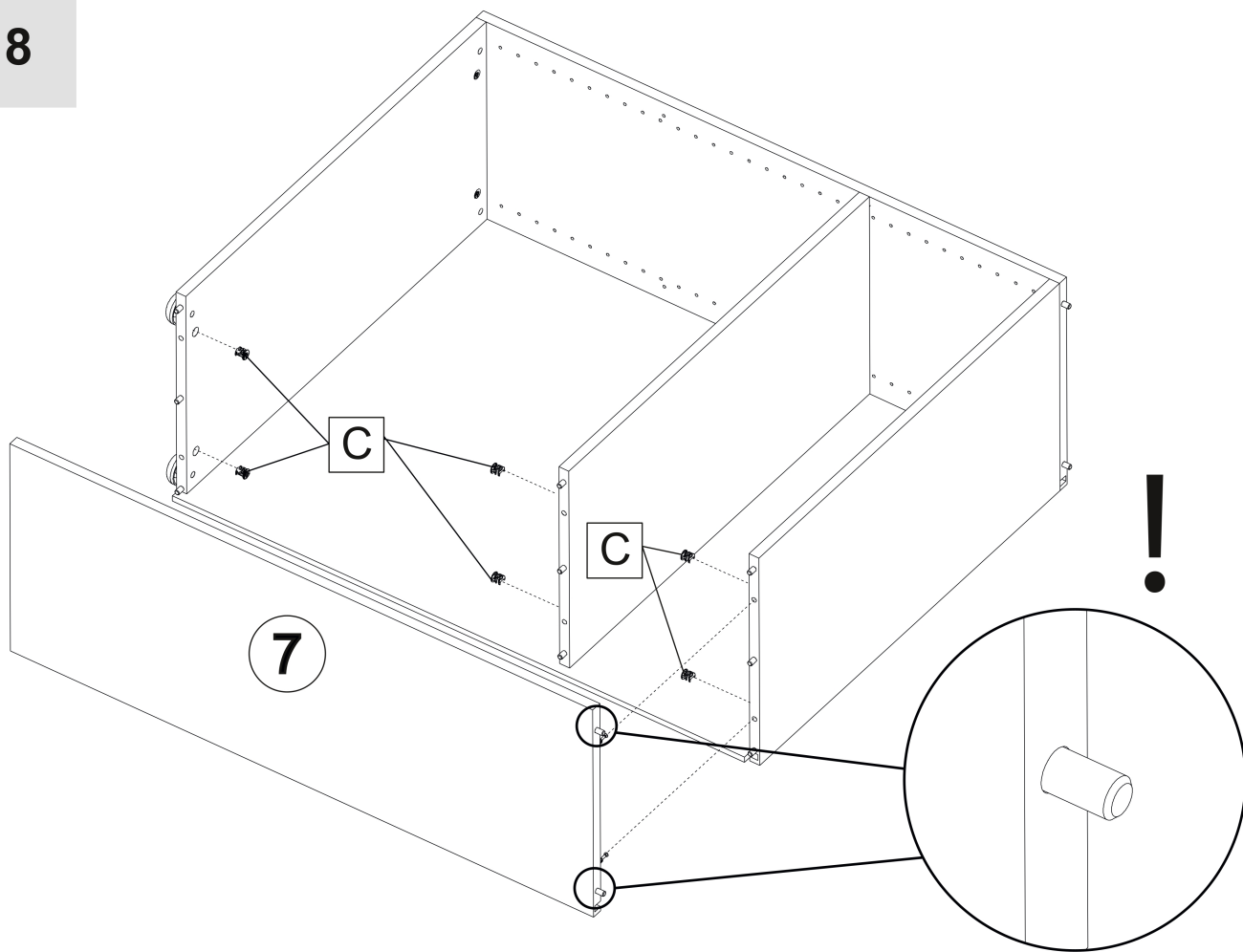
6



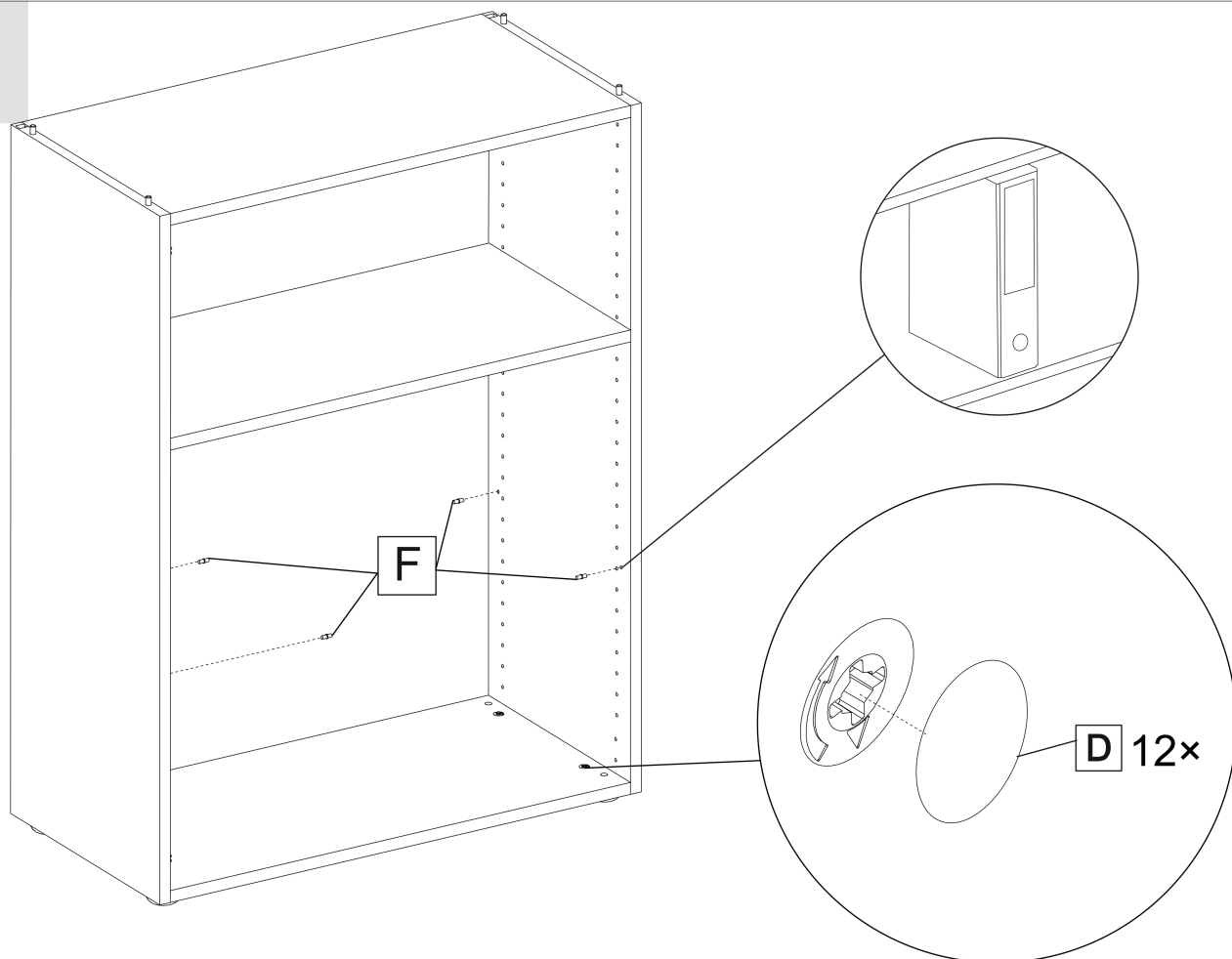
7



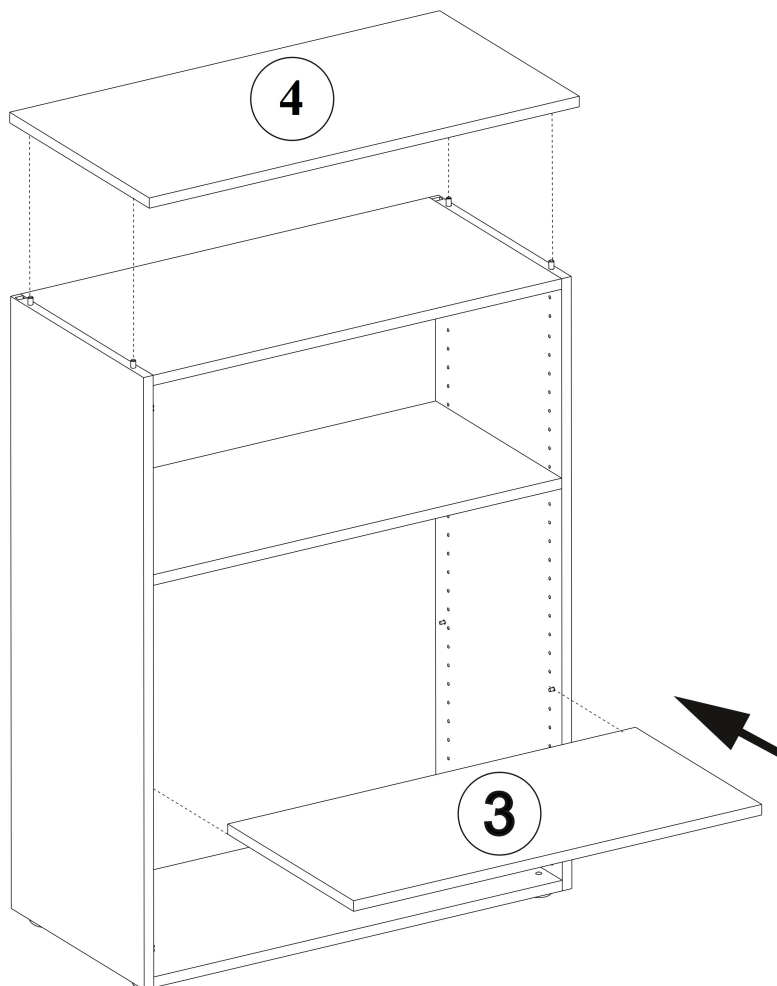
8



9



10



11

