




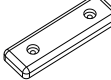

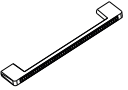


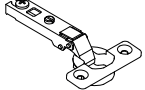
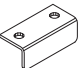
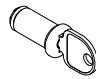
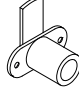

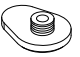
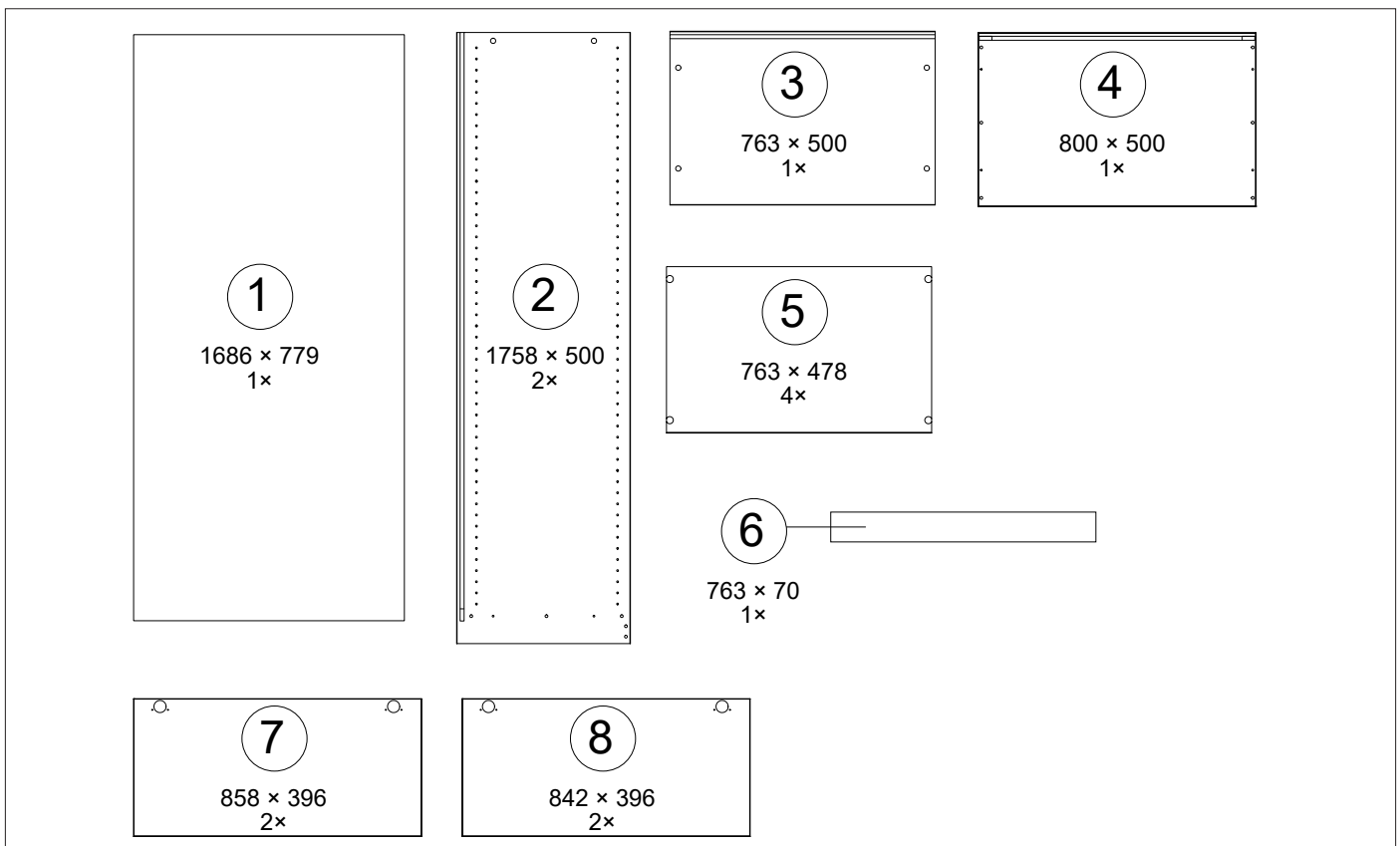
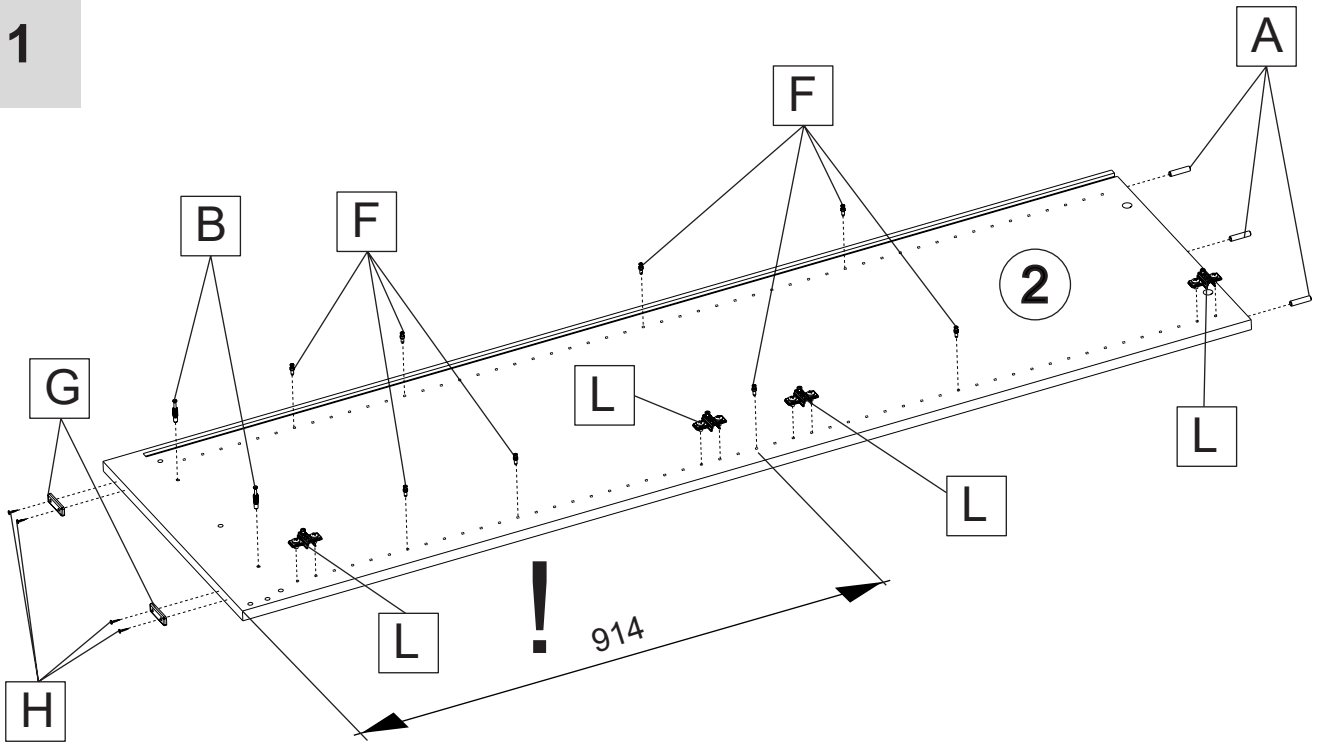
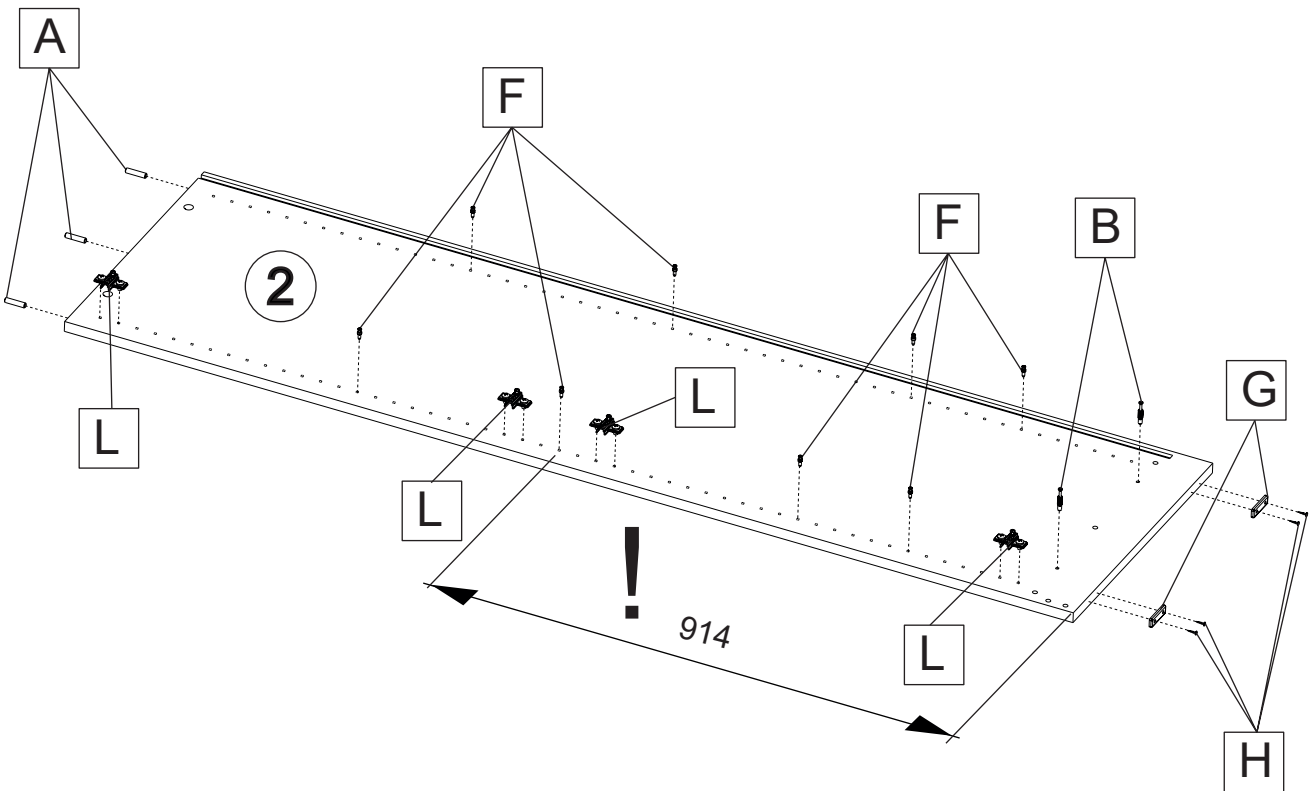
 Ø8 × 35							 Ø3,5 × 16
A 16×	B 8×	C 8×	D 8×	E 16×	F 16×	G 5×	H 34×
	 Ø4 × 25						
J 4×	K 8×	L 8×	M 8×	N 2×	O 2×	P 2×	Q 2×
							
R 4×							



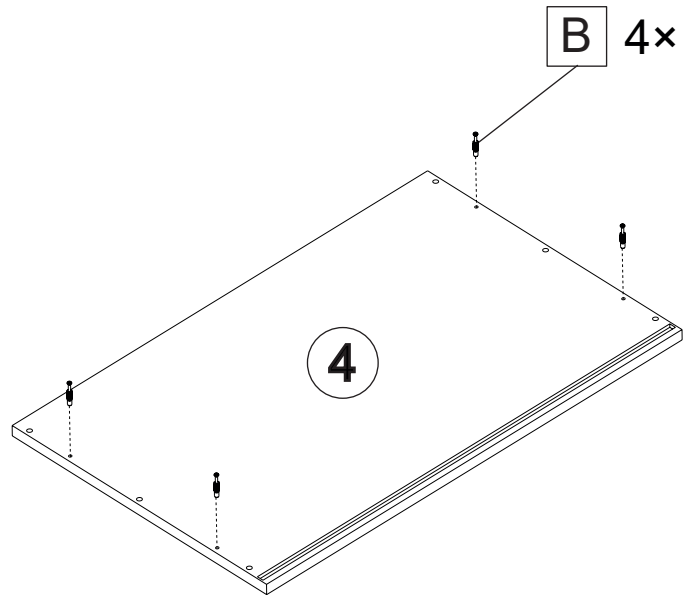
1



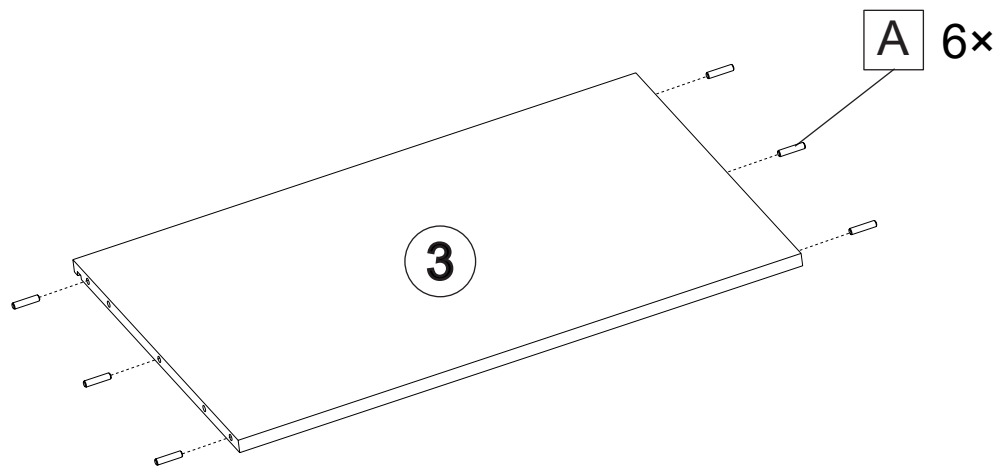
2



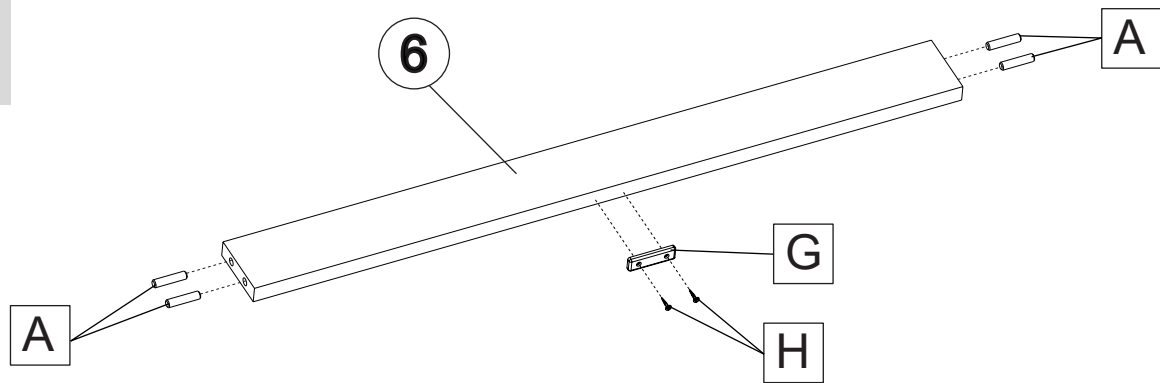
3



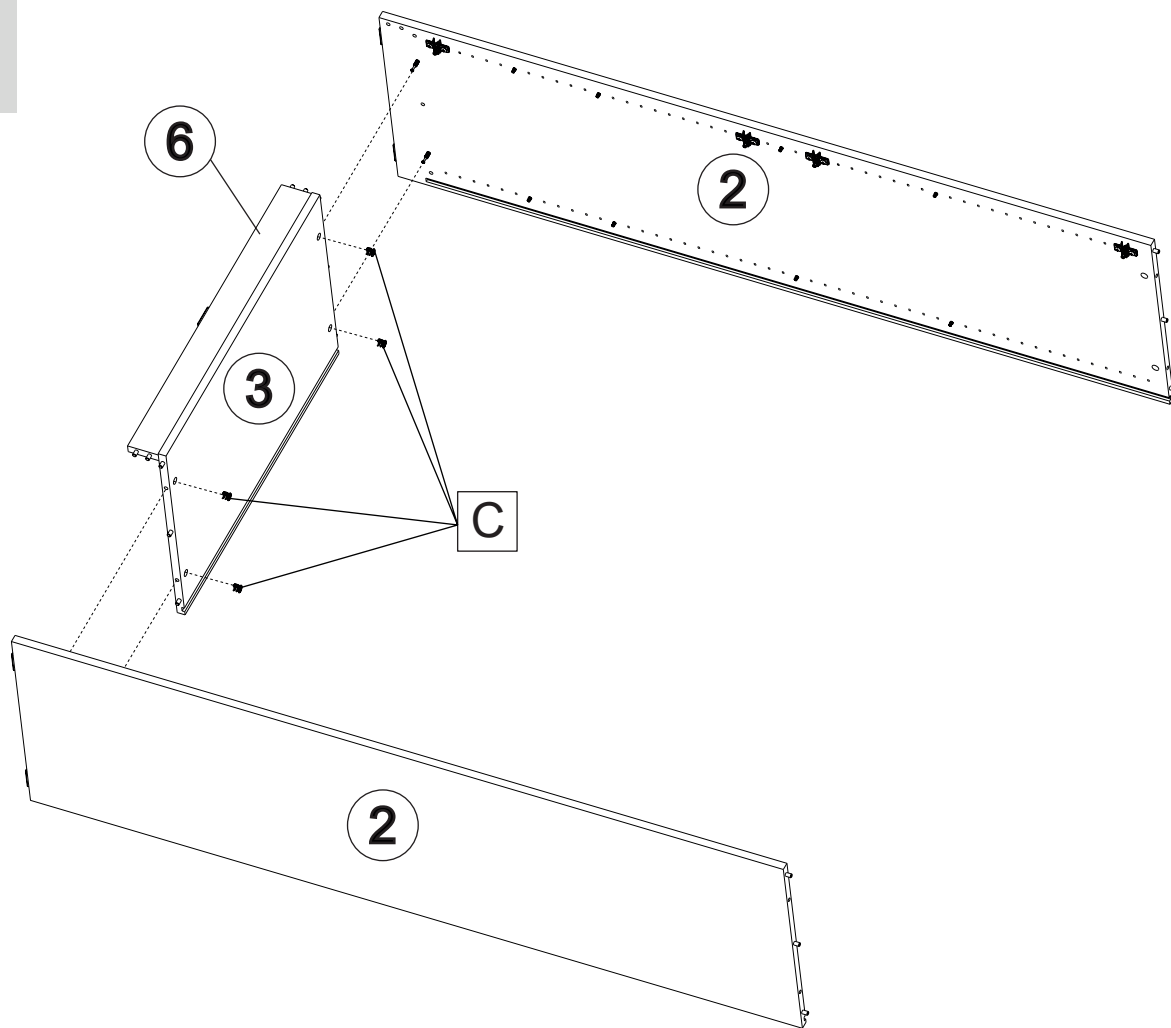
4



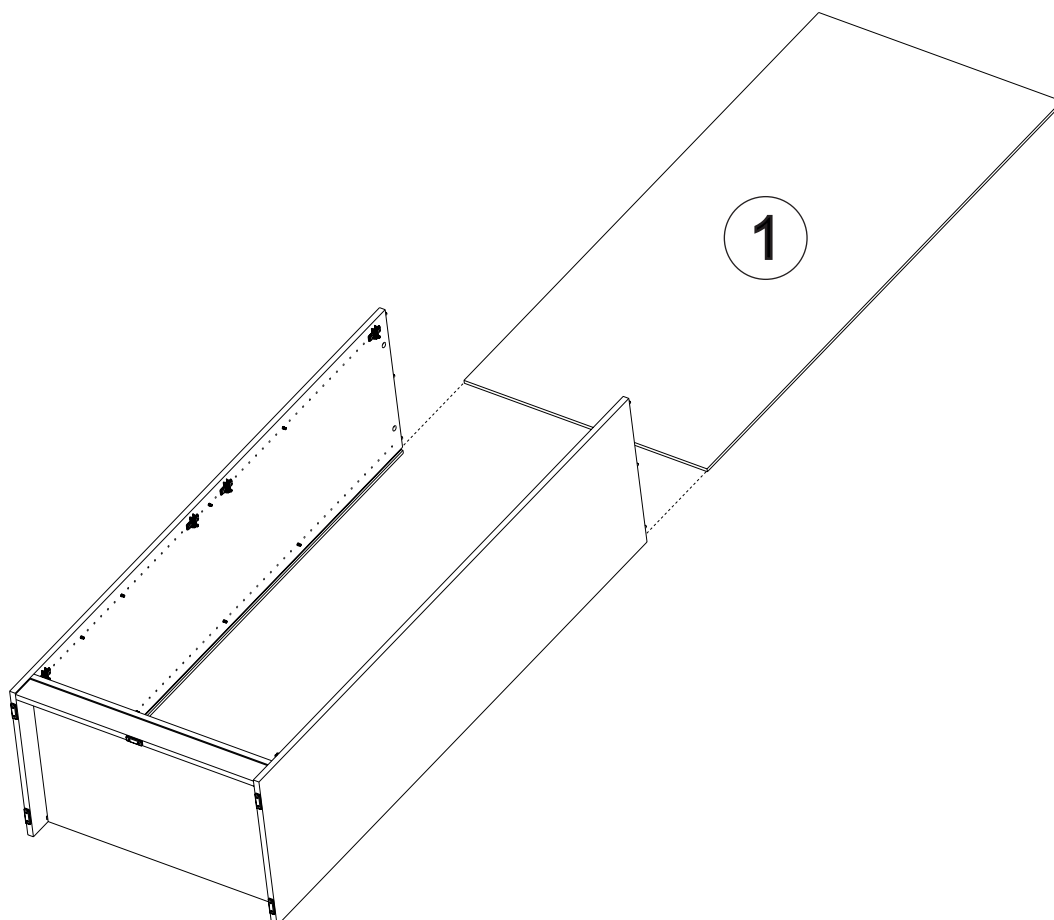
5



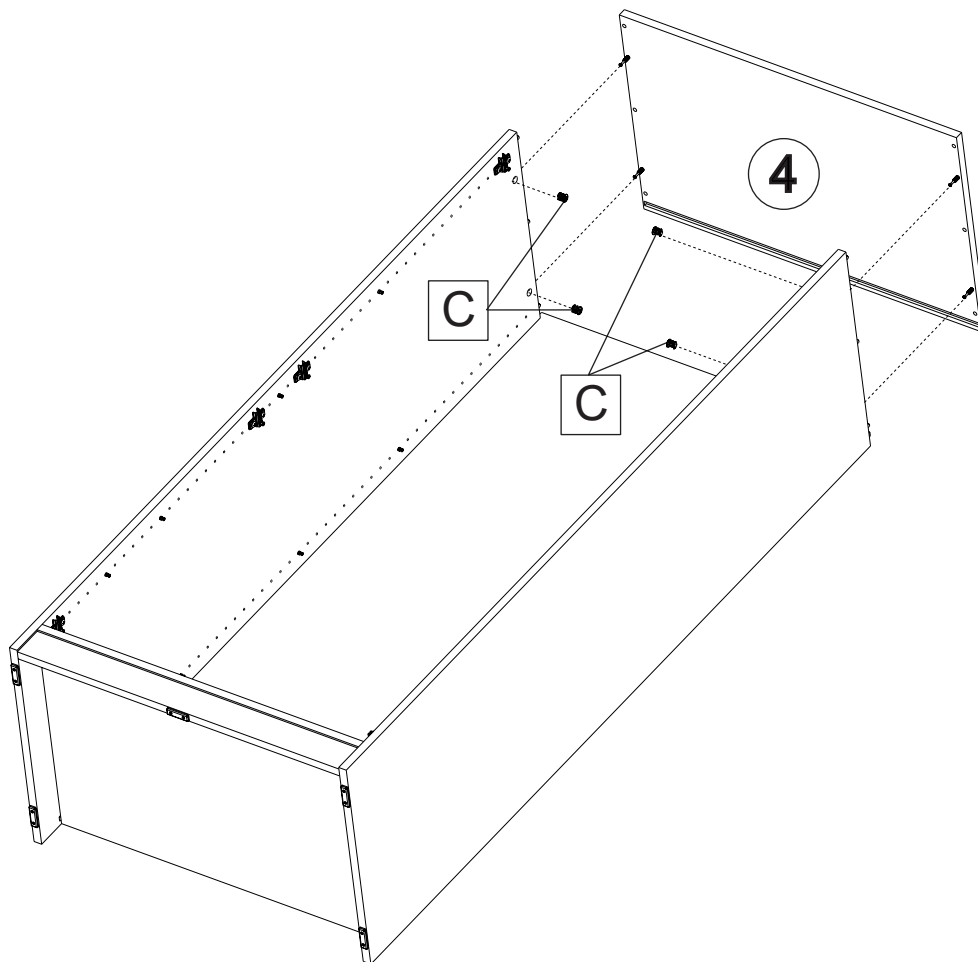
6



7

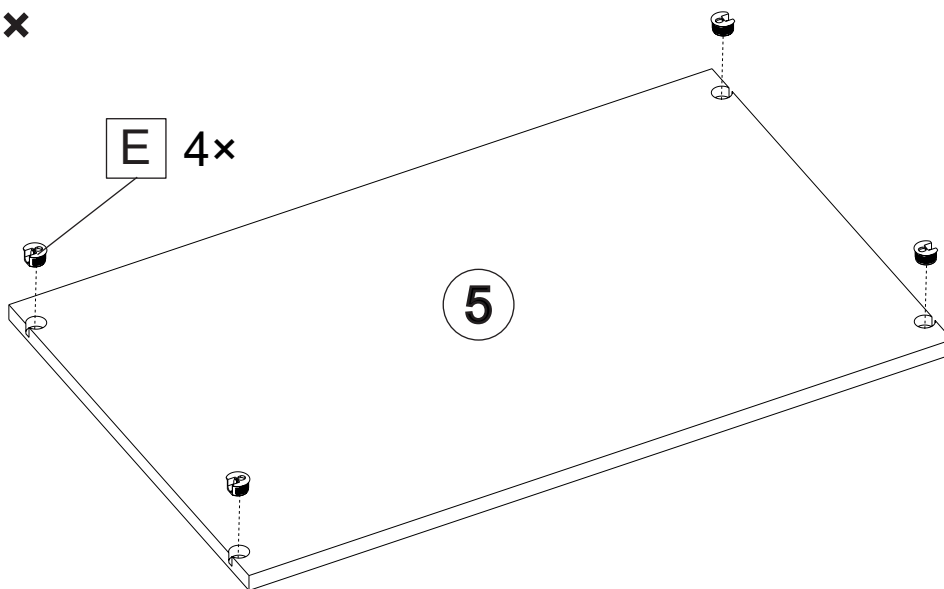


8

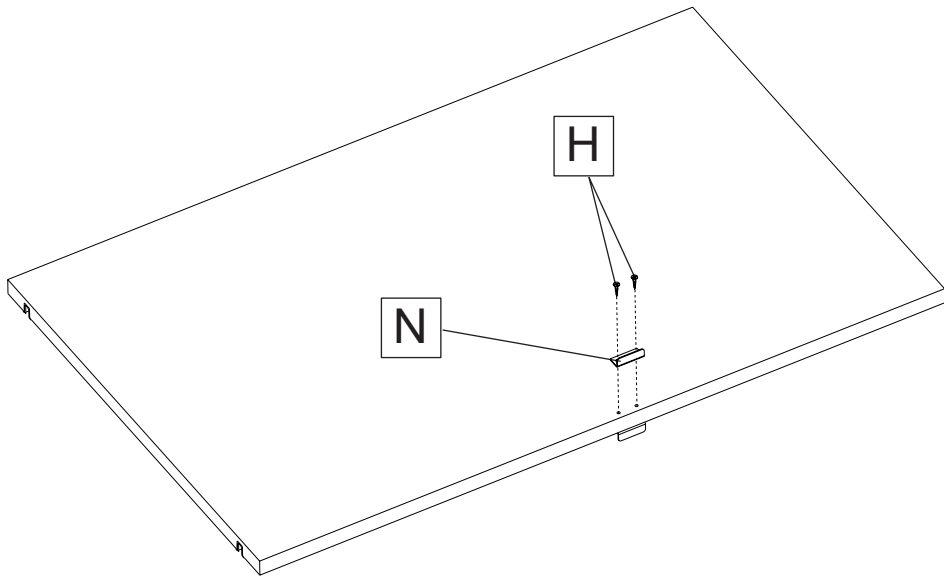
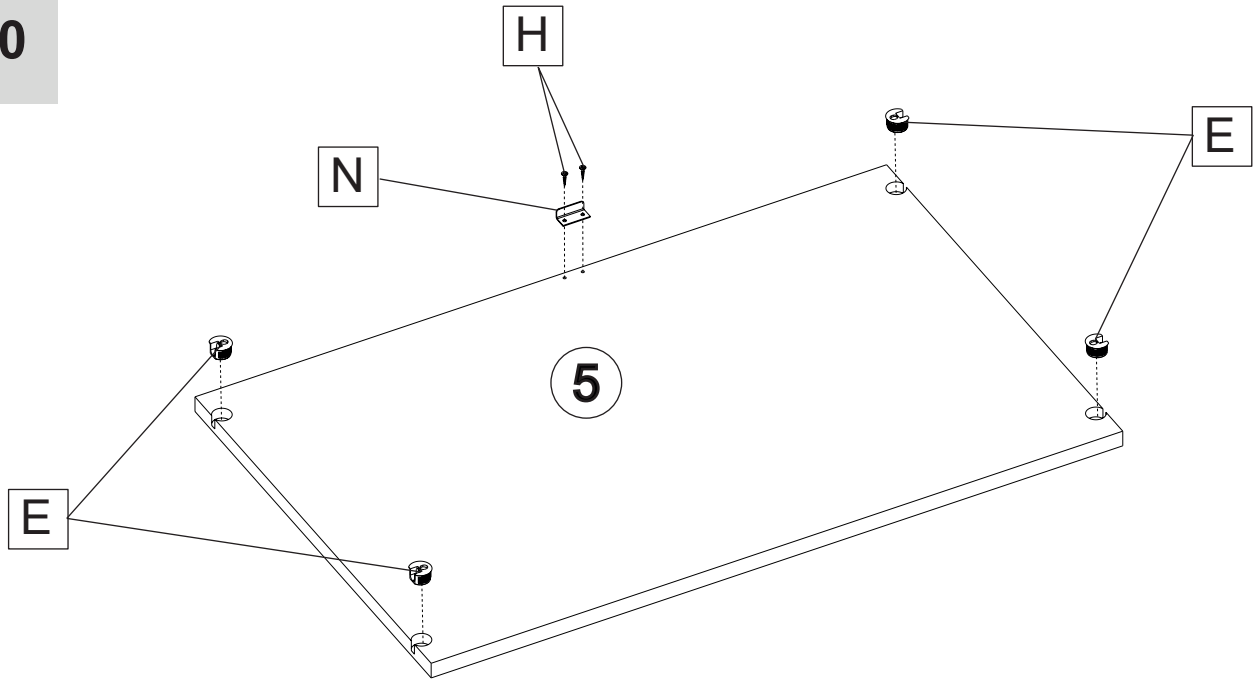


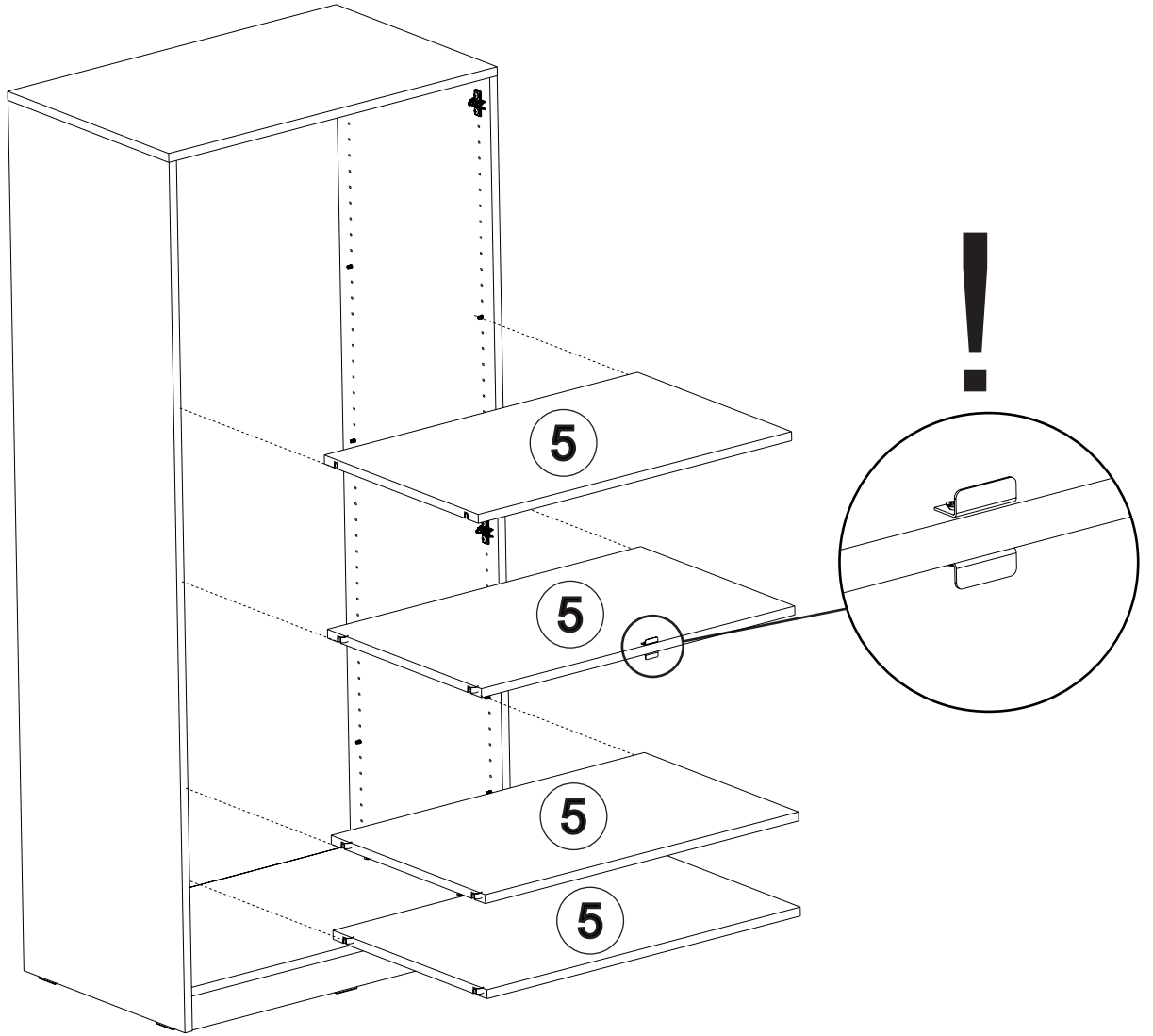
9

3x

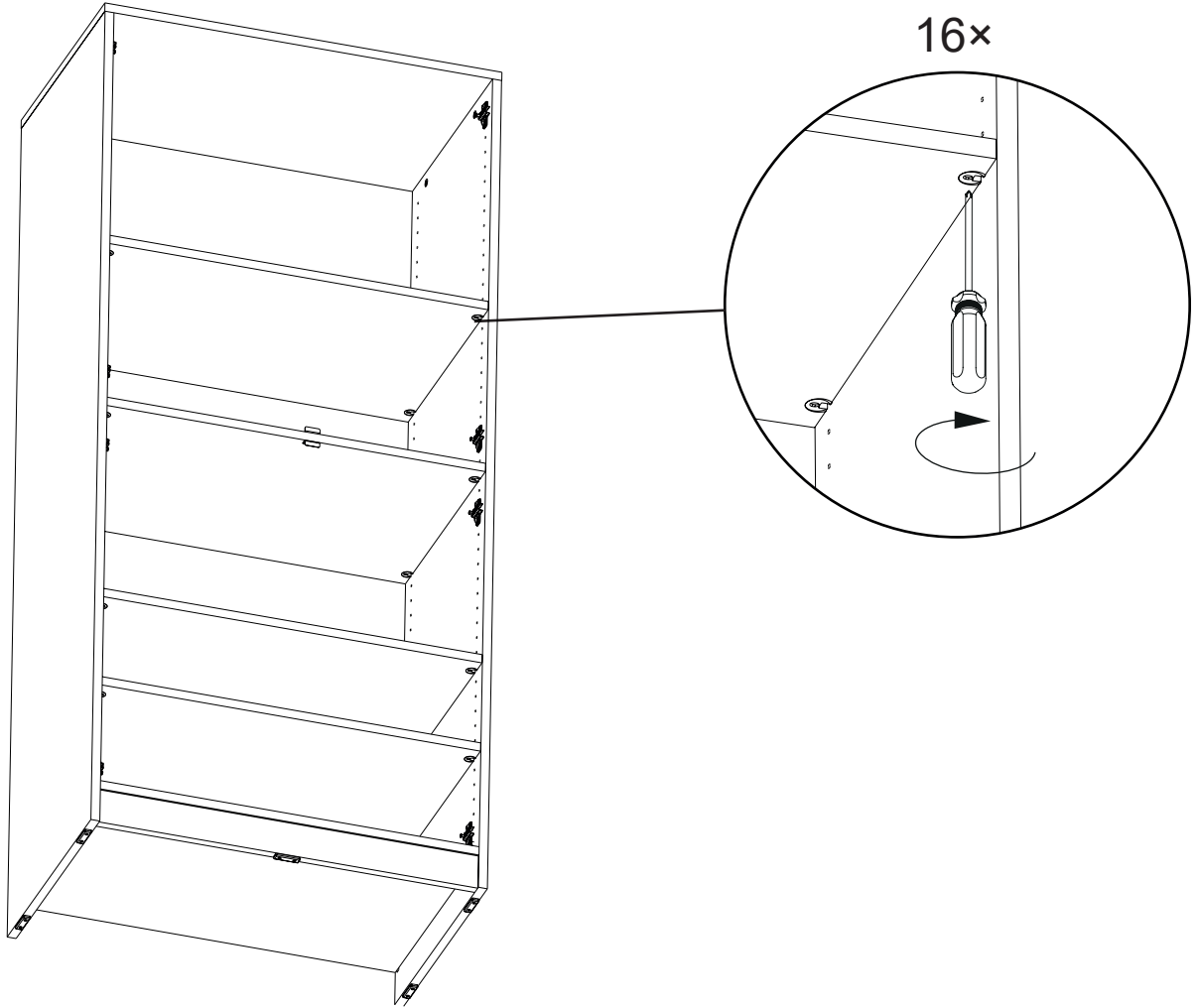


10

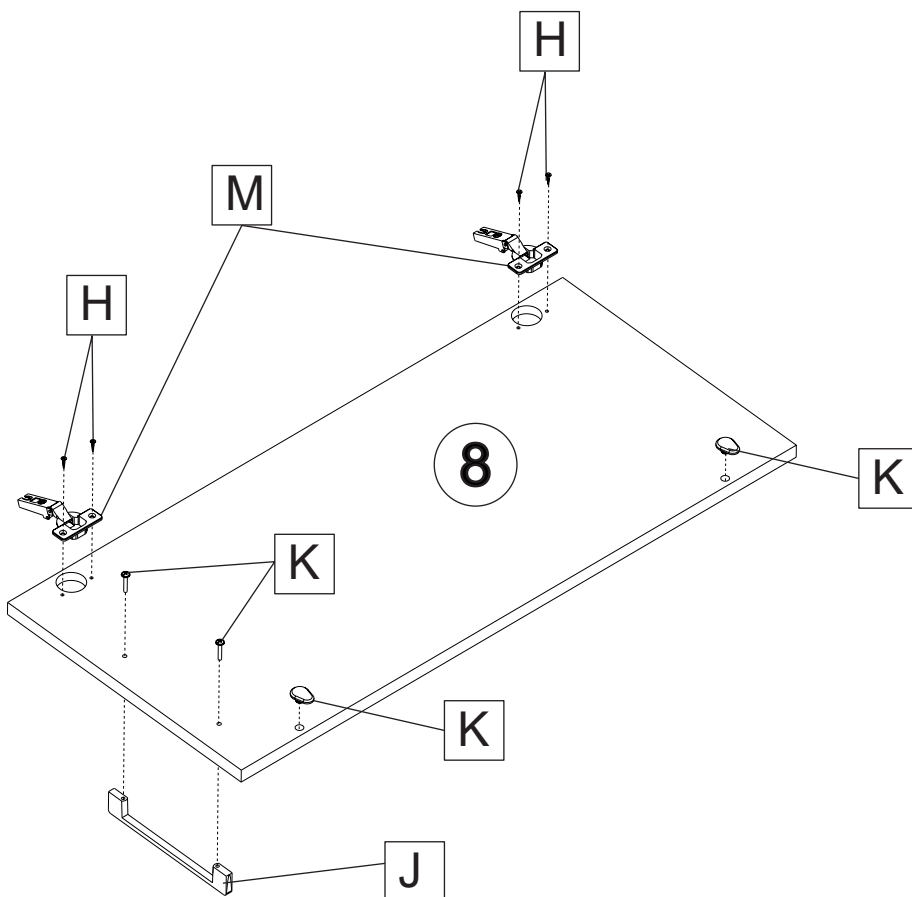




12

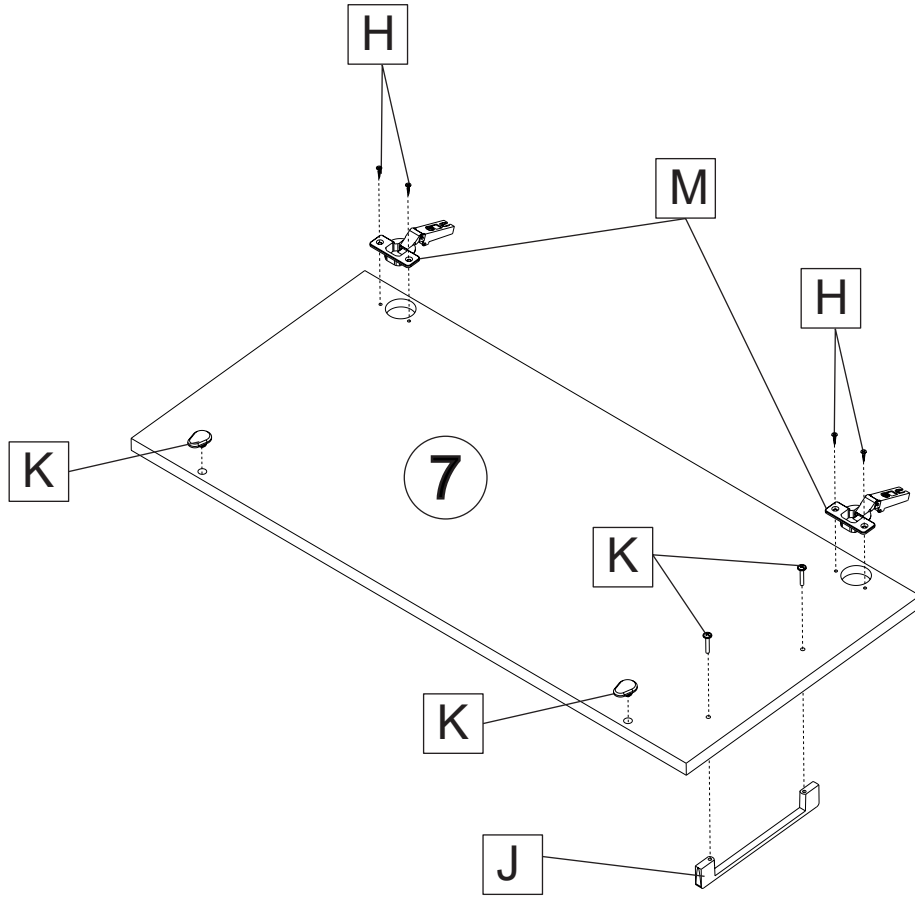


13

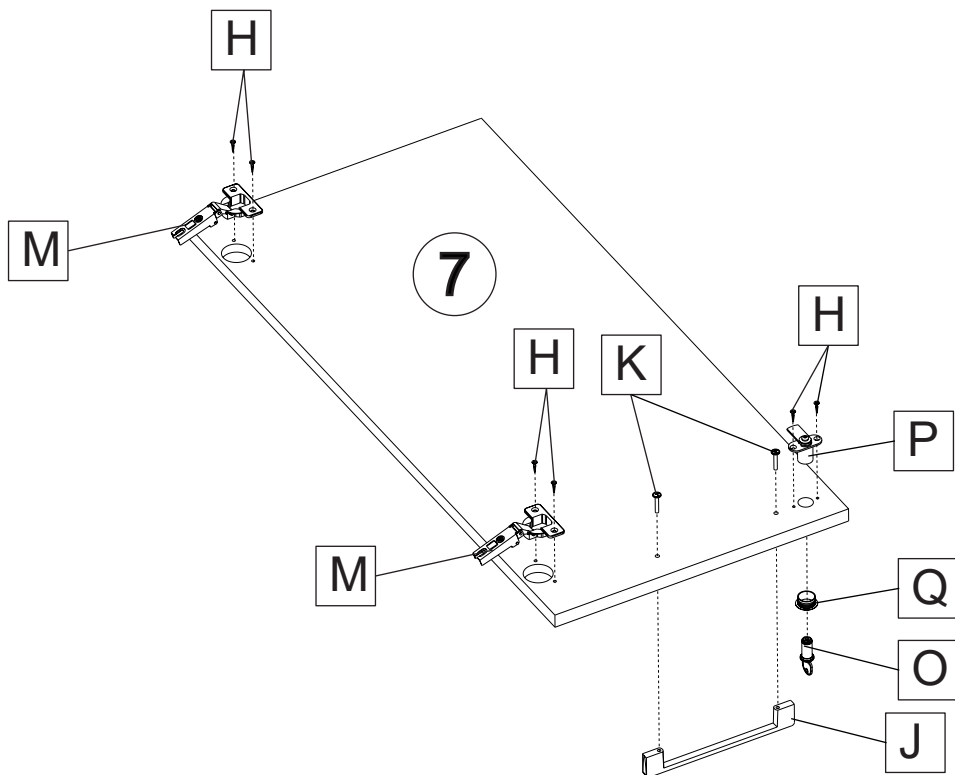




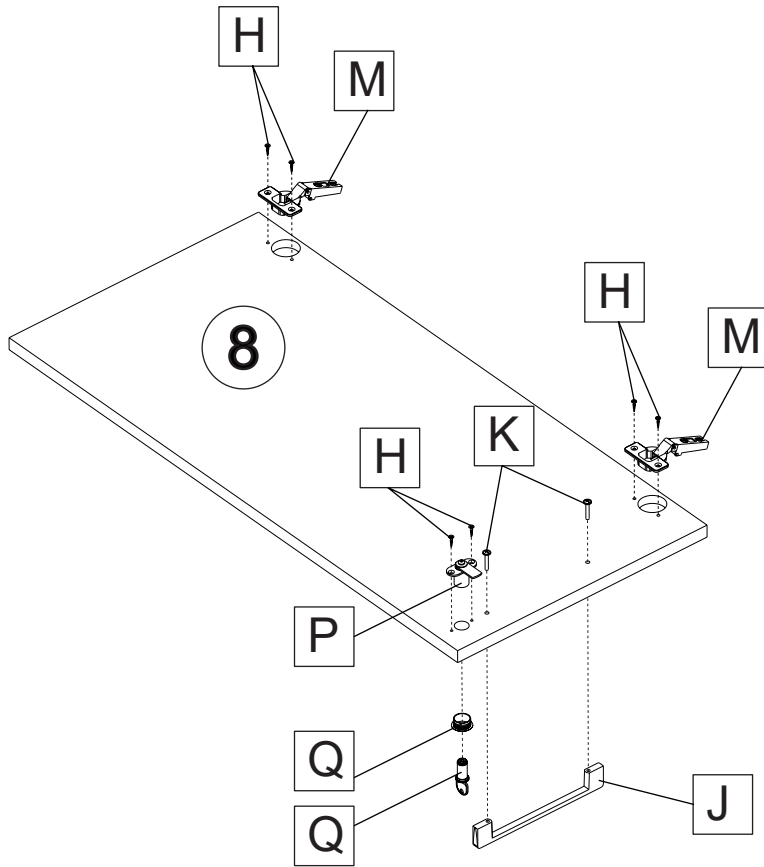
14



15



16



17

