


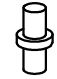
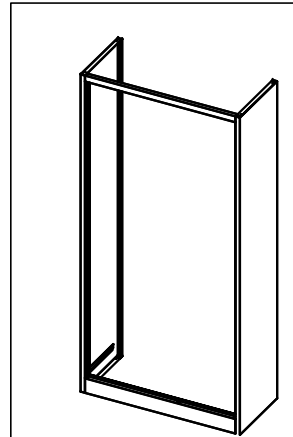
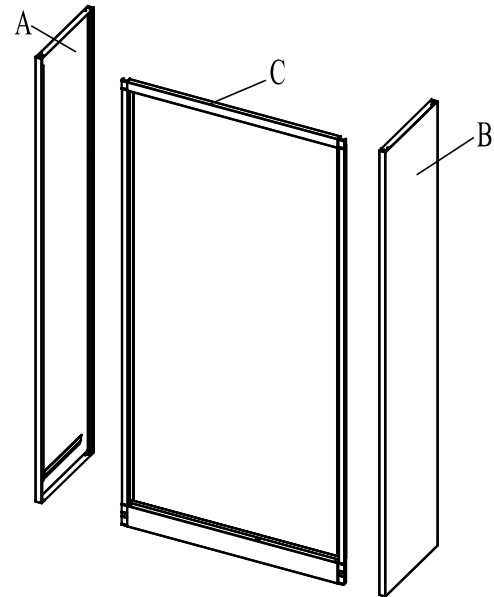
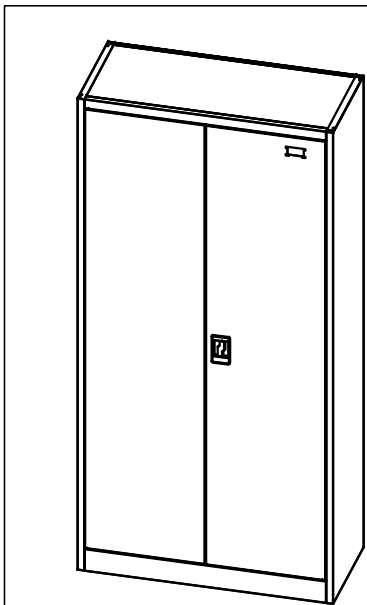
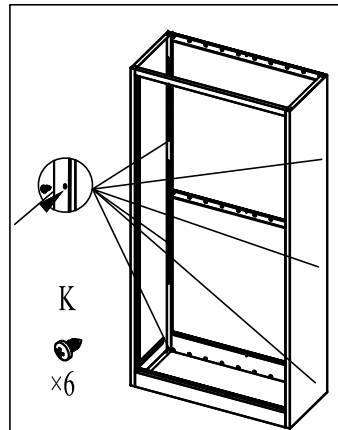
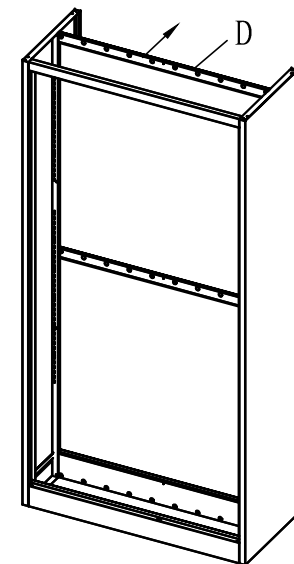


- | | | | |
|---|---|---|---|
| J | K | L | M |
|  |  |  |  |
| ×16 | ×10 | ×4 | ×2 |



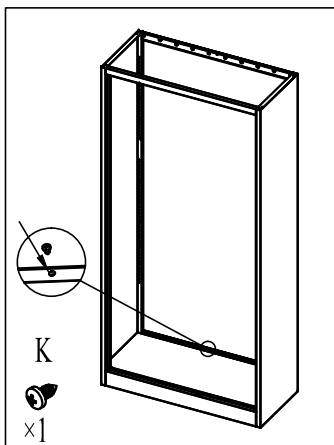
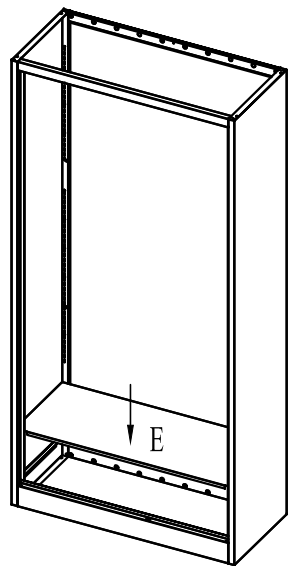
1



K
×6

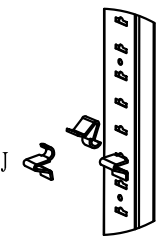
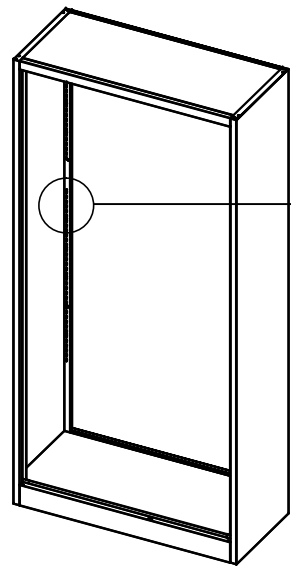
2

3



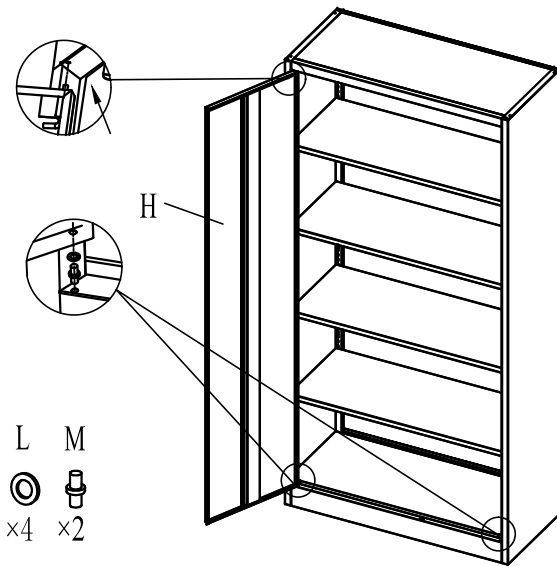
K
x1

5



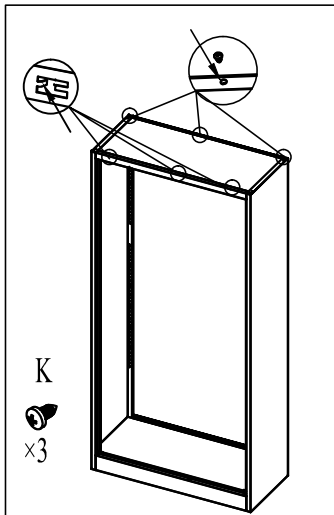
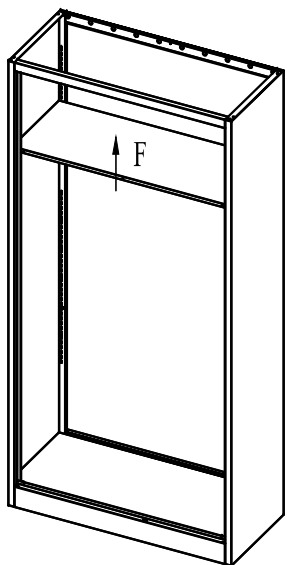
J
x16

7



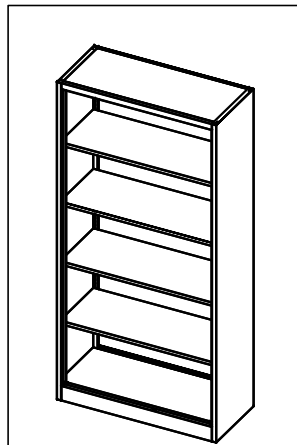
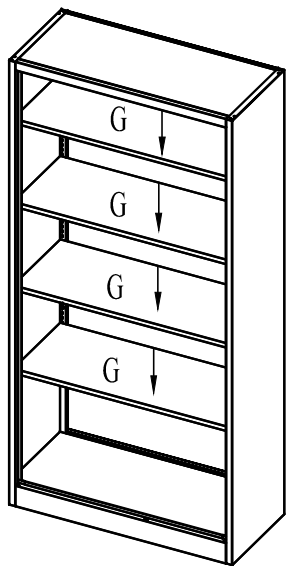
L M
x4 x2

4



K
x3

6



8

