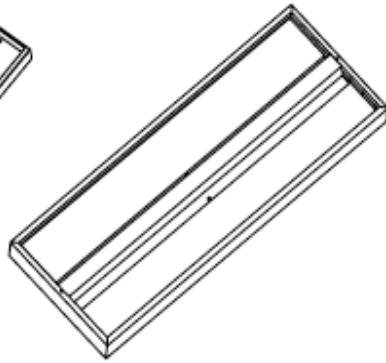


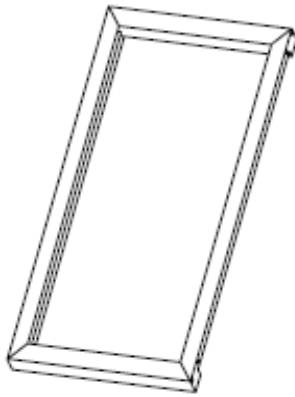
A X 1



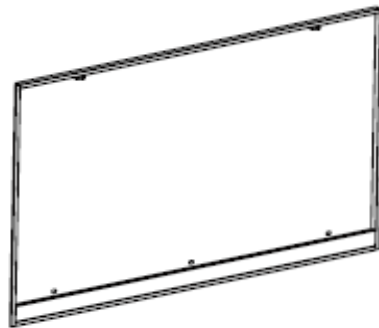
B X 1



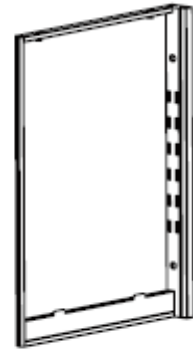
C X 1



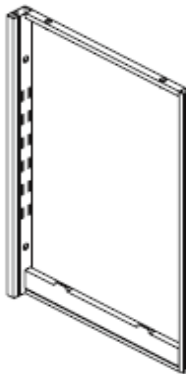
D X 1



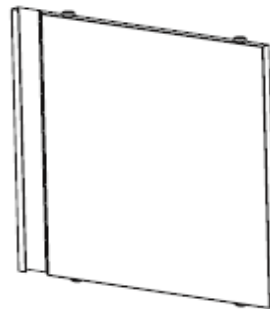
E X 1



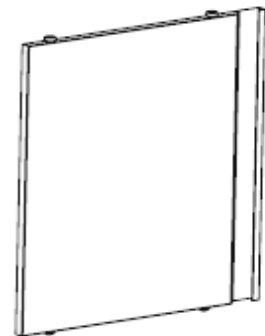
F X 1



G X 1



H X 1



I X 1



J X 4



K X 4

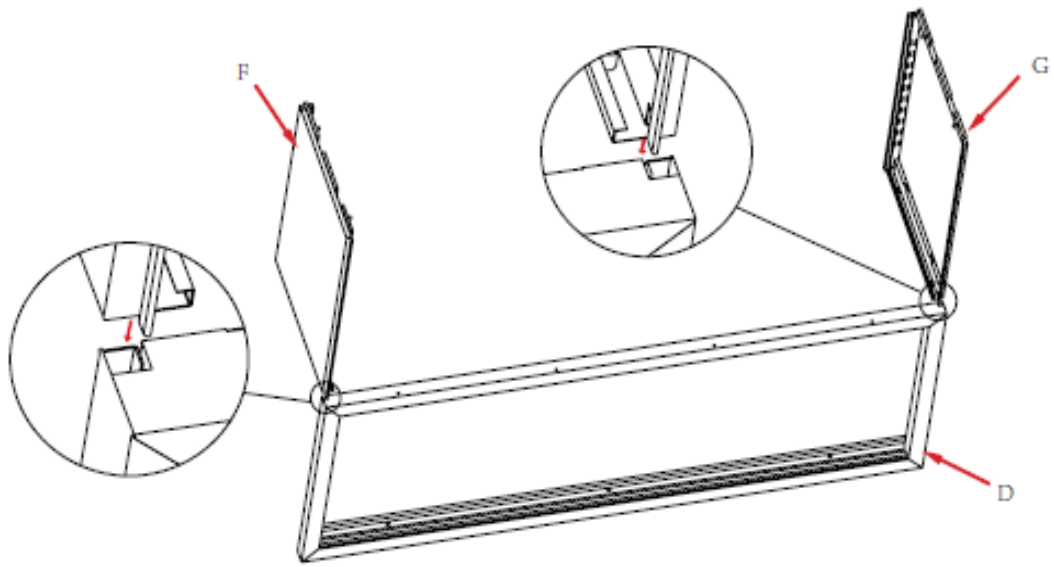


N X 20

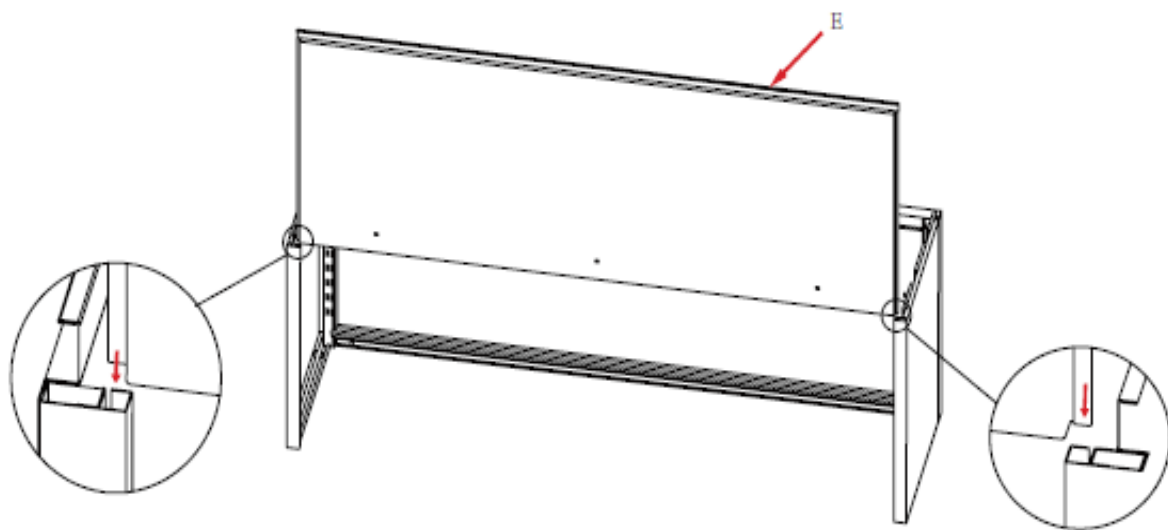


S X 4

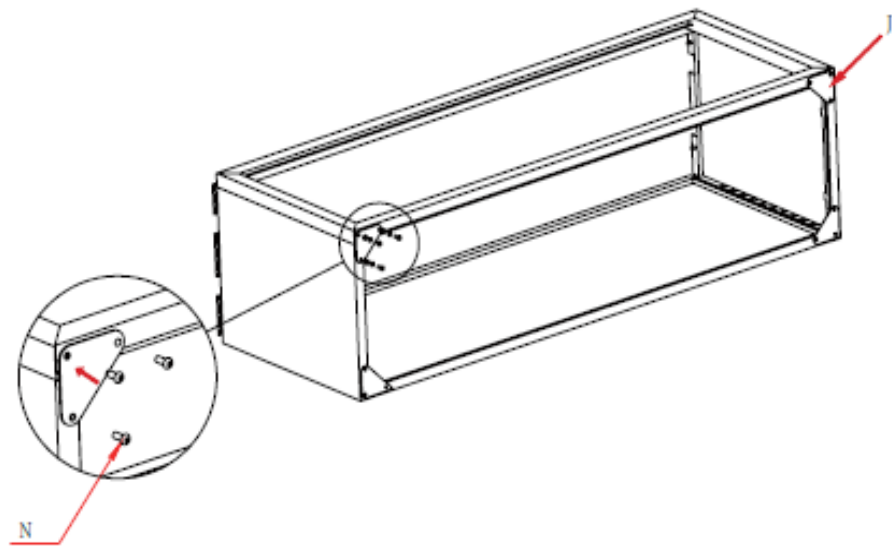
1



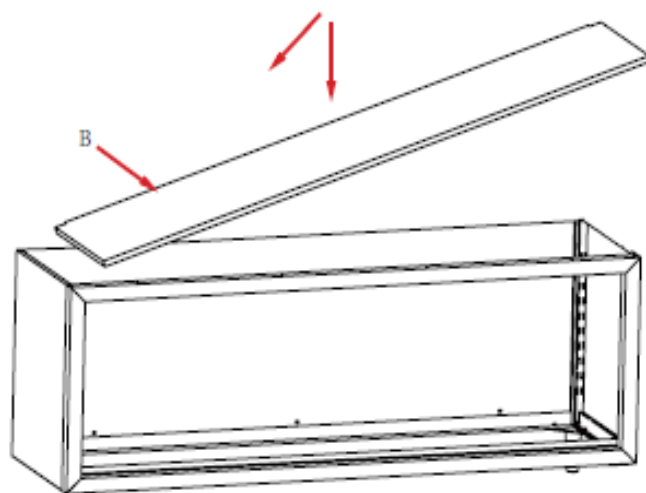
2



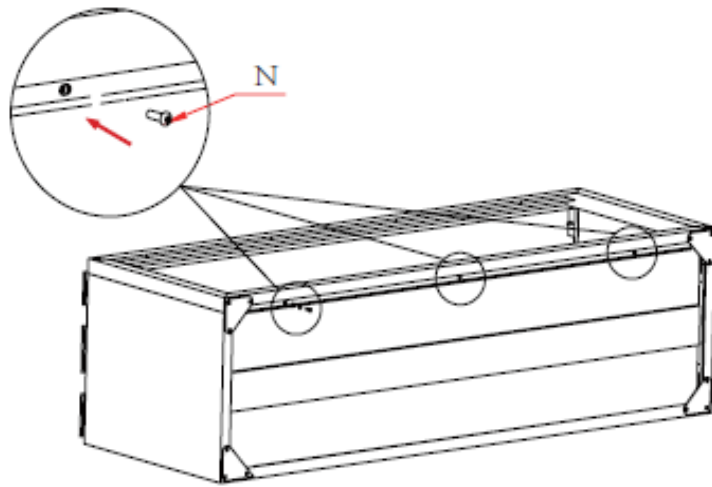
3



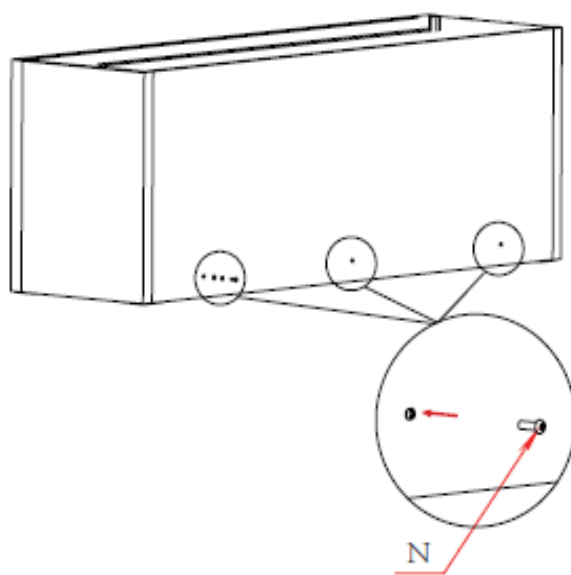
4



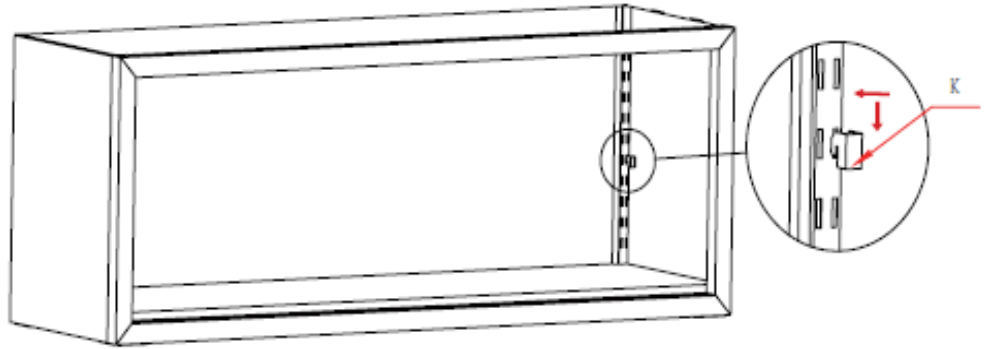
5



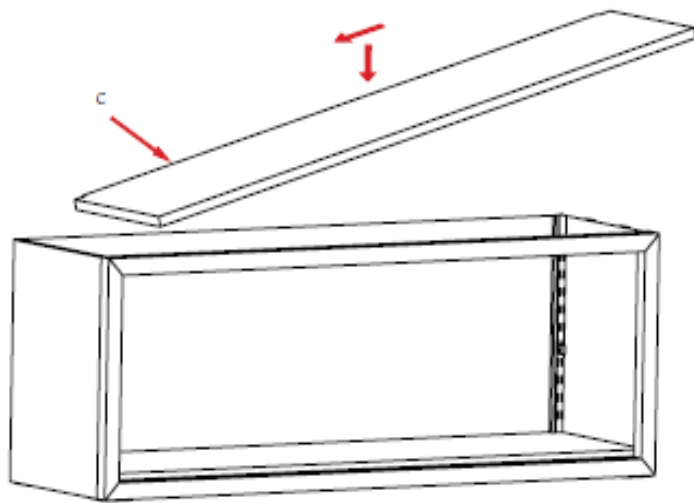
6



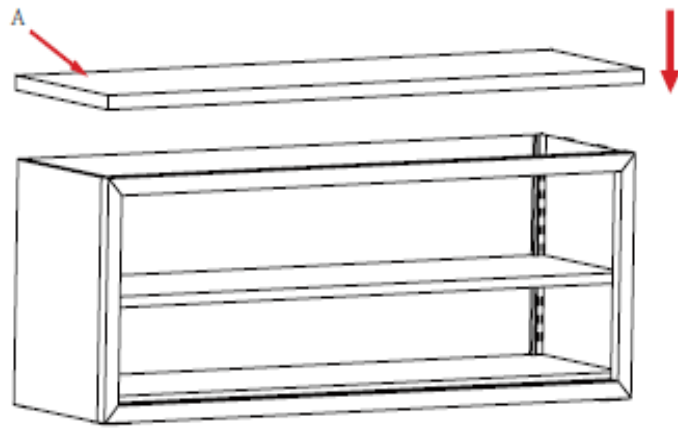
7



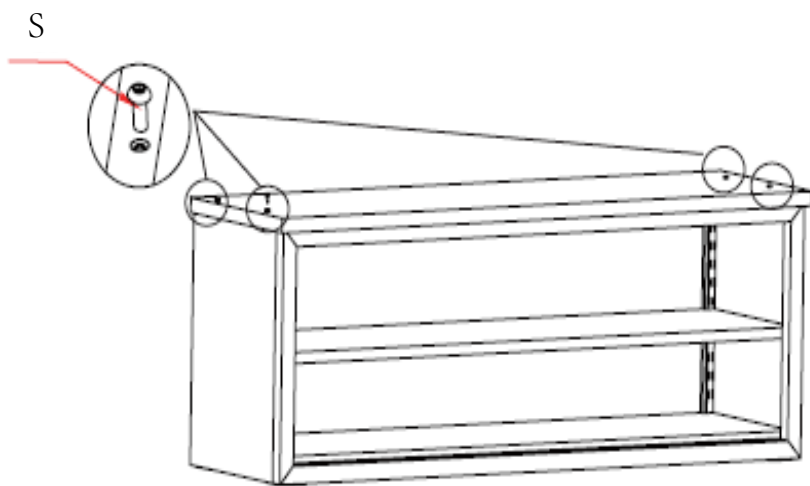
8



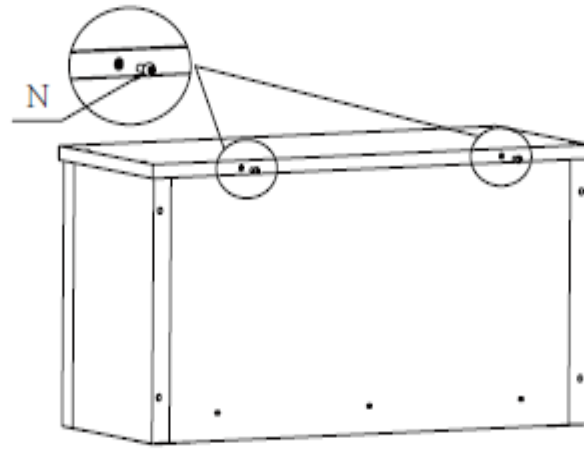
9



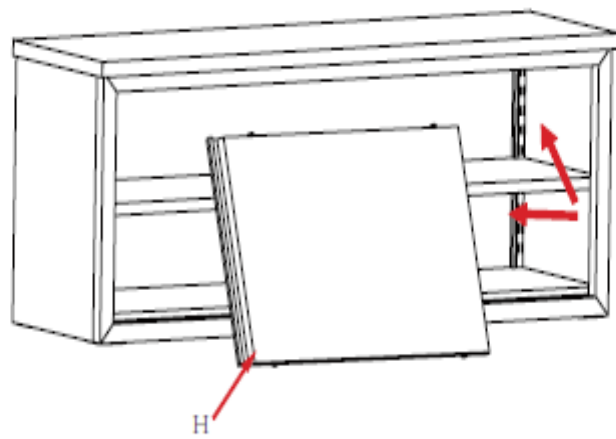
10



11



12



13

