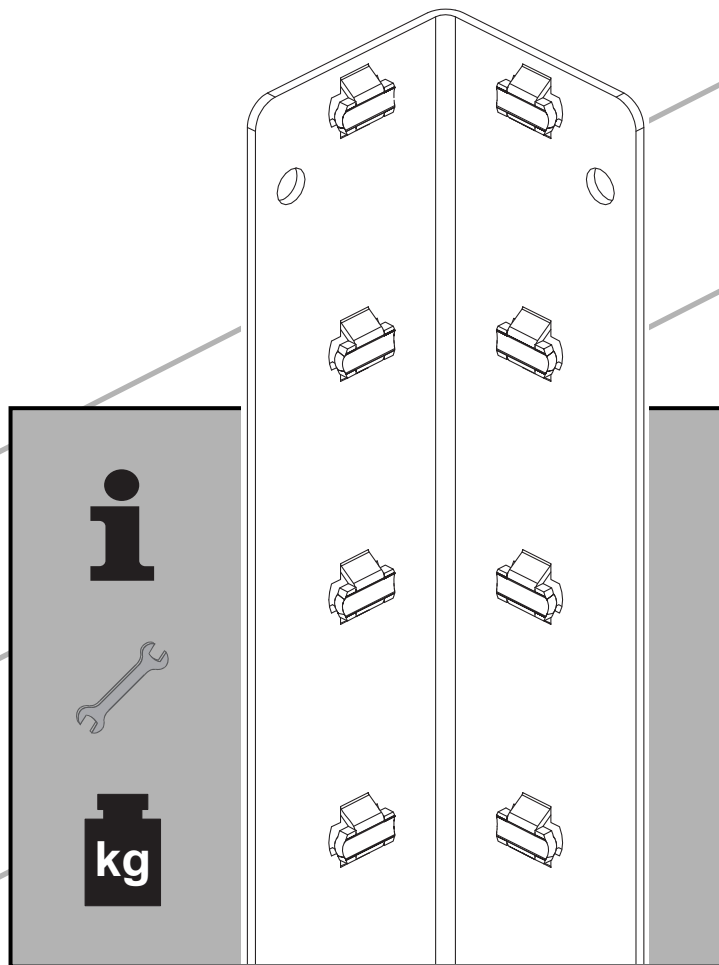
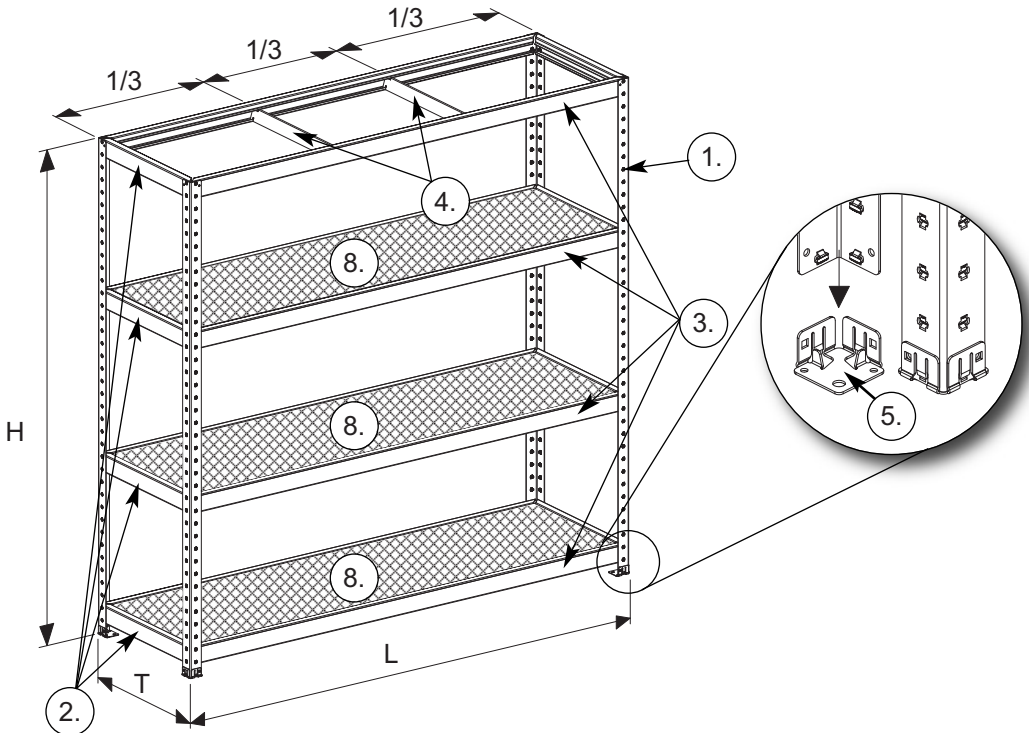


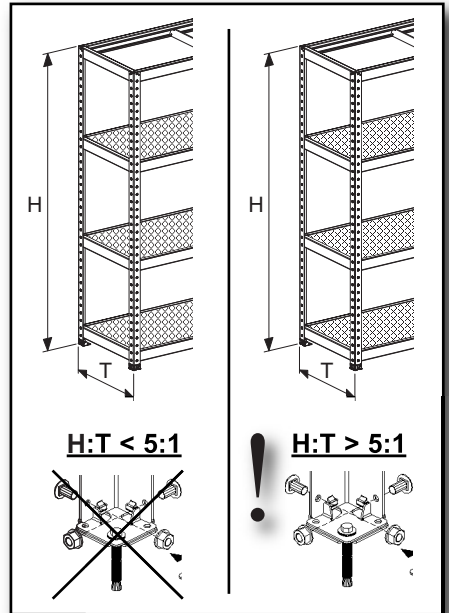
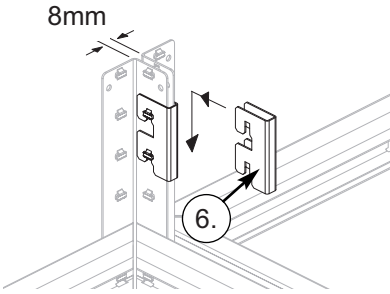
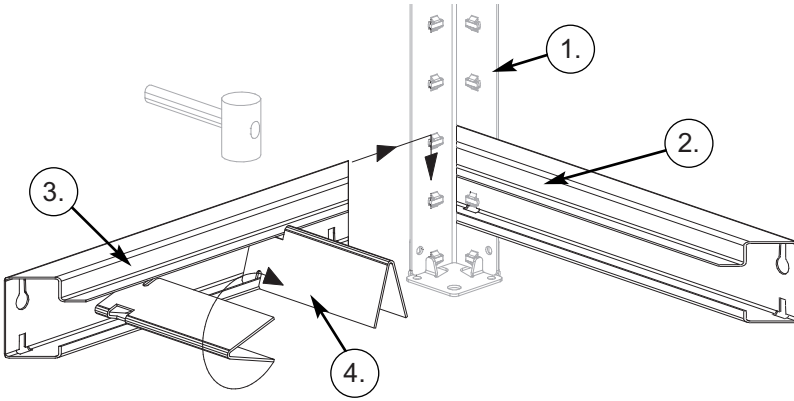
META-SPEED-RACK

- | | | | |
|------|---------------------------------------|------|--|
| (GB) | Assembly and operating instructions | (I) | Istruzioni per il montaggio e l'uso |
| (F) | Instructions de montage et de service | (E) | INSTRUCCIONES DE MONTAJE Y USO |
| (PL) | Instrukcja montażu i eksploatacji | (NL) | OPBOUW- EN BEDIENINGSHANDLEIDING |
| (CZ) | Návod k montáži a obsluze | (RO) | Instrucțiuni de asamblare și utilizare |
| (HU) | Felépítési és használati utasítás | | |

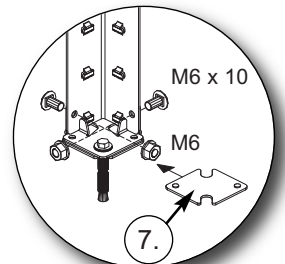
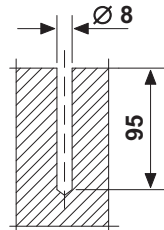
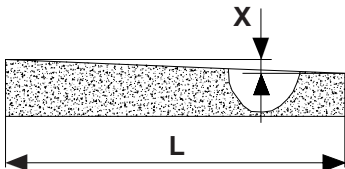





1.		H = 1970 / 2470 / 2970
2.		T = 400 / 600 / 800
3.		L = 1700 / 2000 / 2500
4.		T = 400 / 600 / 800
5.		
6.		
7.		
8.		L = 1700 / 2000 / 2500 T = 400 / 600 / 800

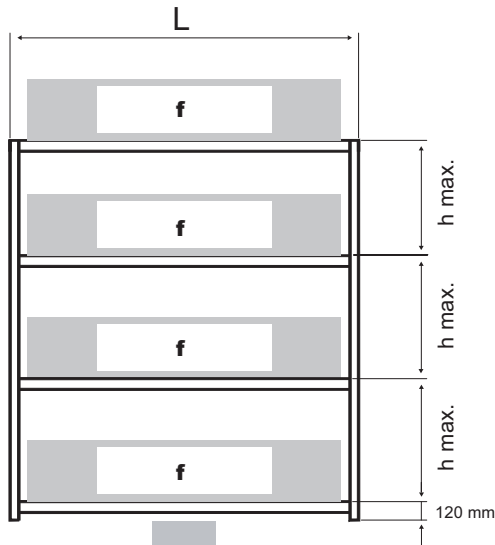




DIN 18202	
L m	X mm
< 1,0	max. 4
> 1,0 - 4,0	max. 10
> 4,0 - 10,0	max. 12
> 10,0 - 15,0	max. 15



	 f (kg)	 Q max (kg)	h max. (mm)
L (mm)	f (kg)	Q max (kg)	h max. (mm)
1700 2000	500	1500	1450
		2000	950
		2500	750
		3000	600
2500	400	1200	1450
		1600	950
		2000	750
		2400	600
		2800	500



$$Q_{\text{max.}} = f + f + f + f$$