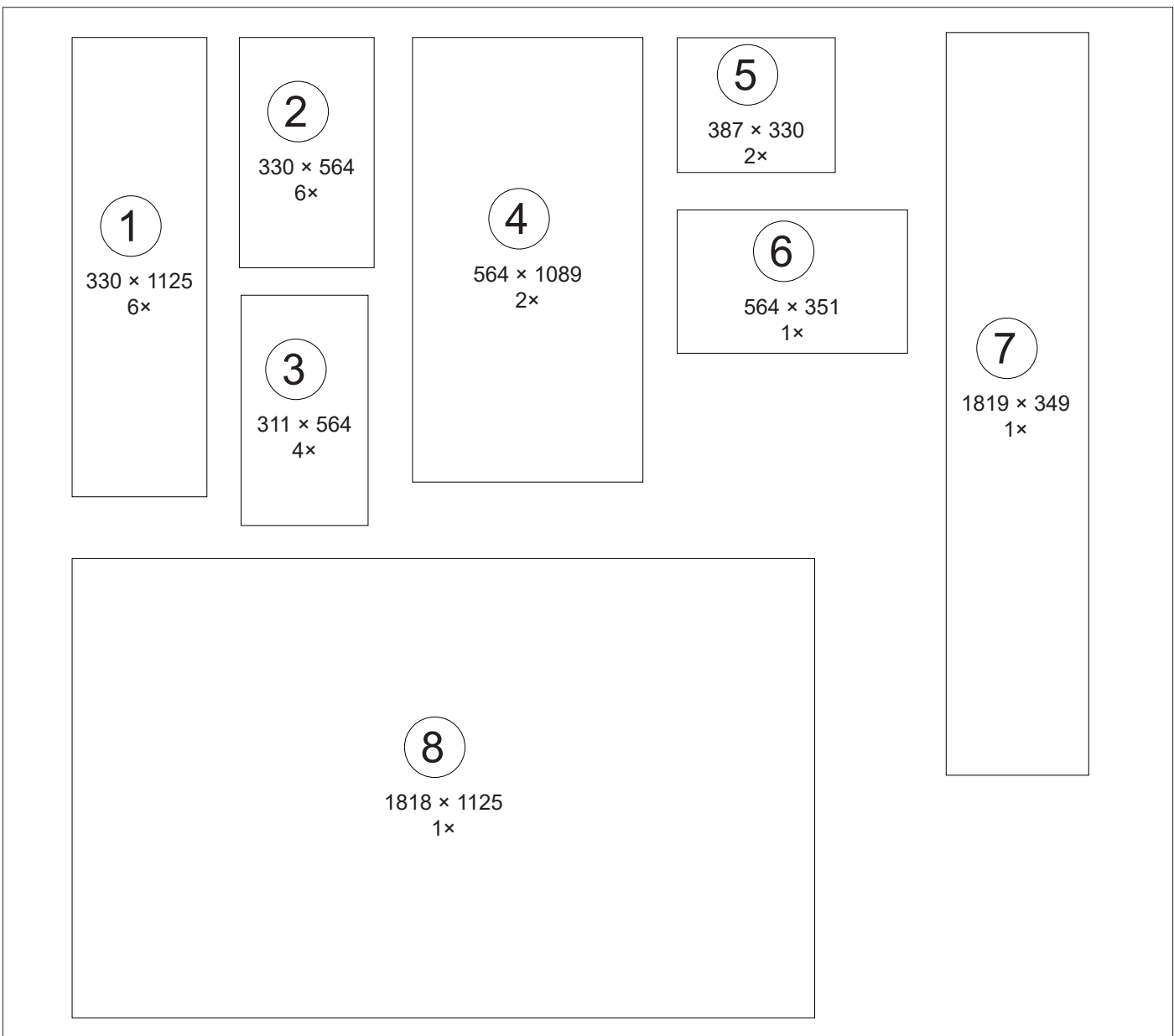
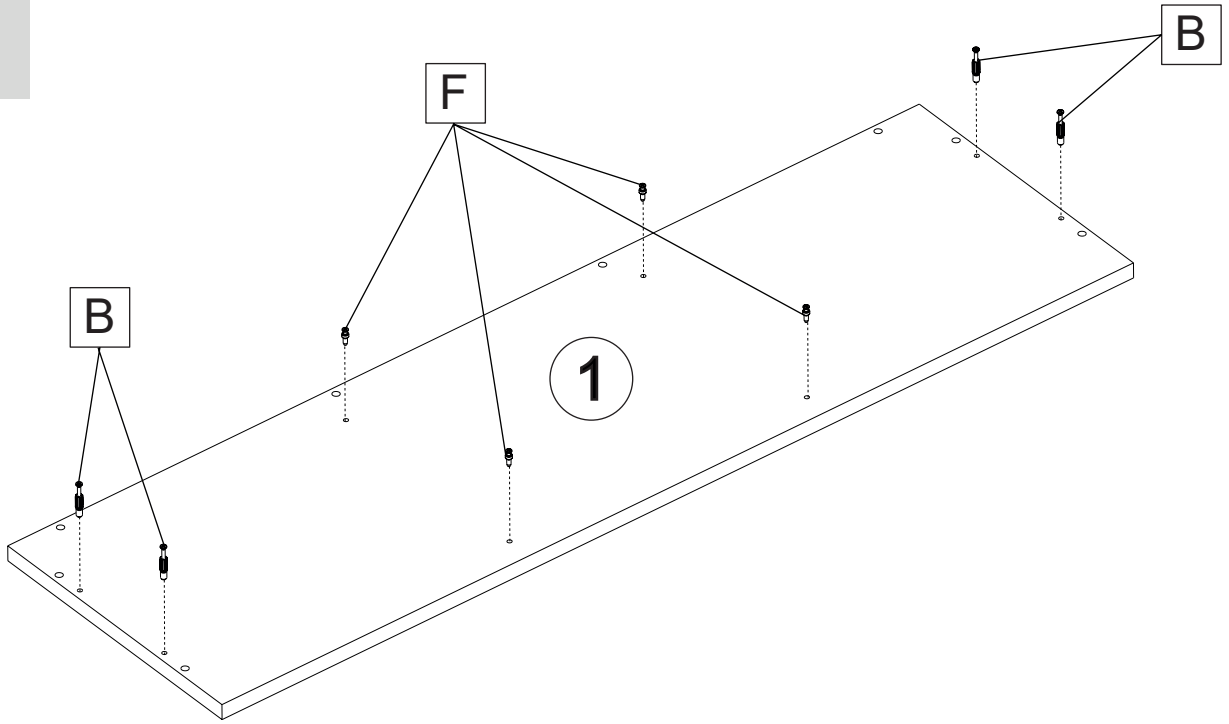
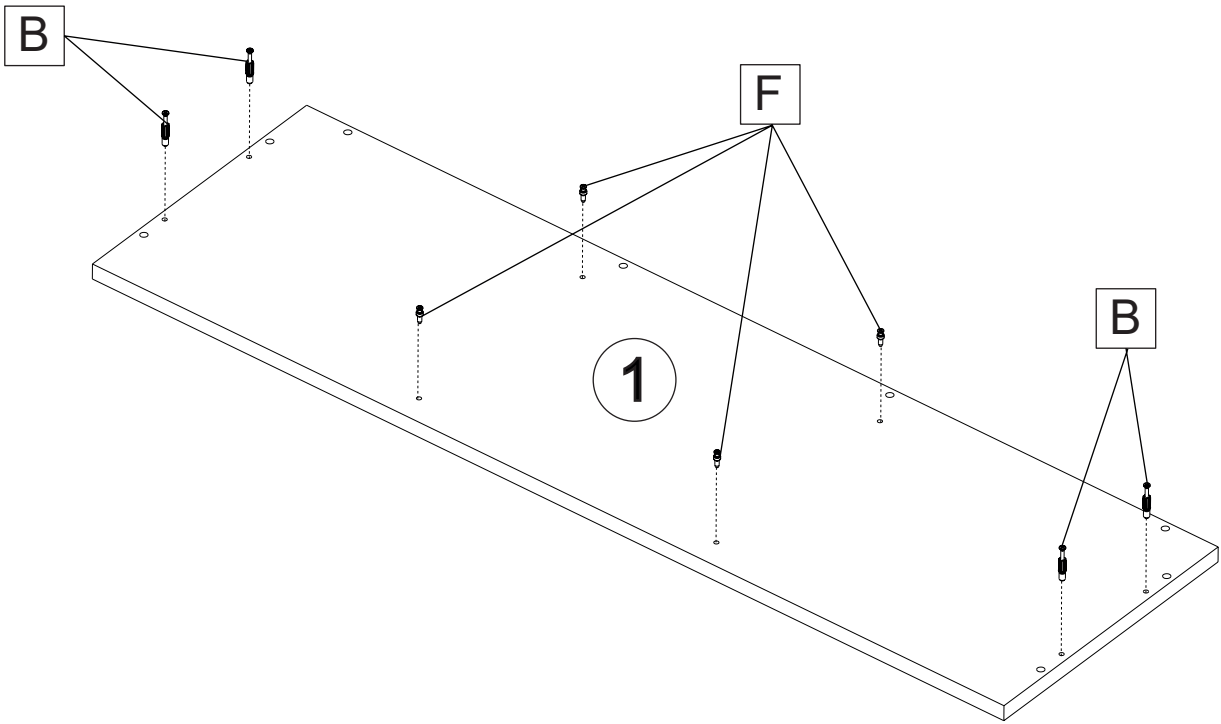

Ø8 × 35				Ø8 × 27			
A 76×	B 35×	C 35×	D 35×	E 8×	F 16×	G 16×	H 8×



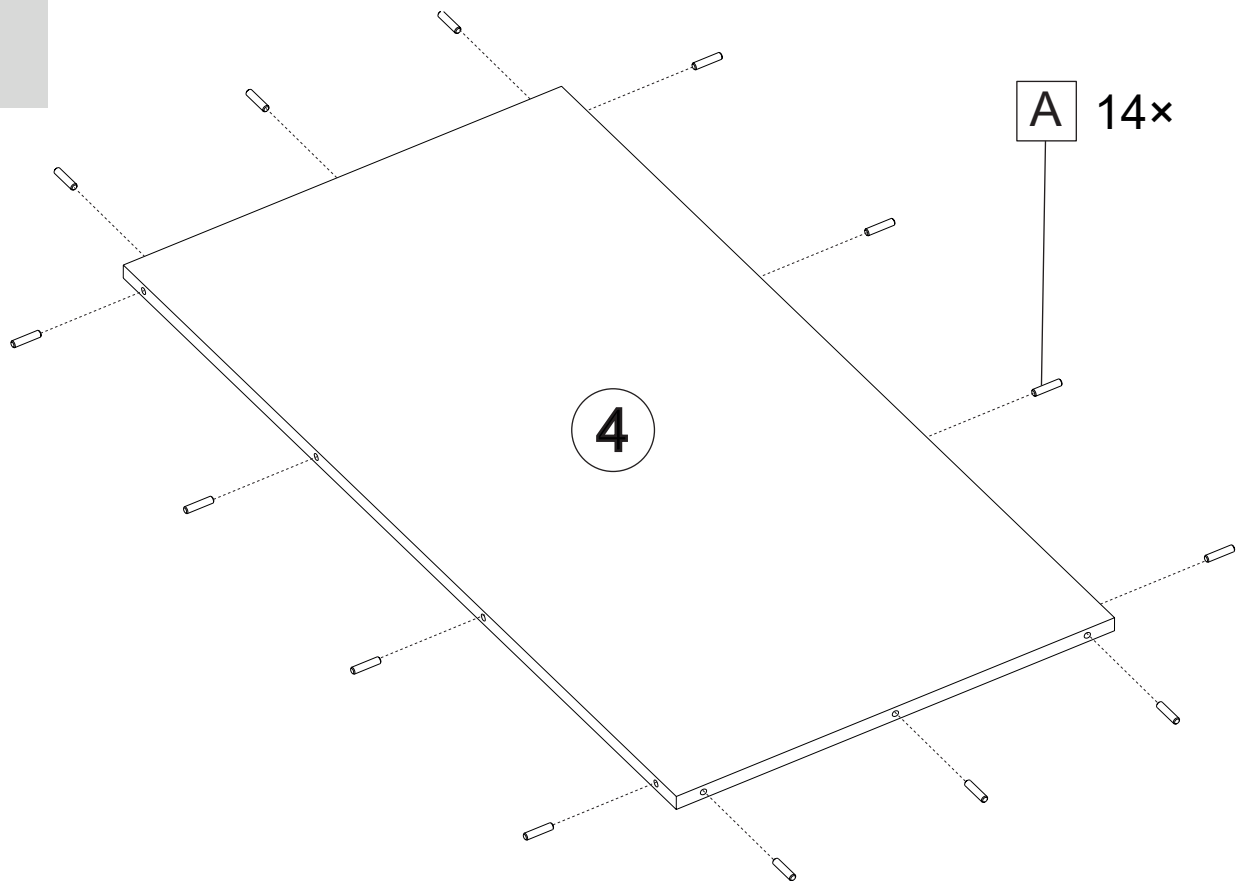
1



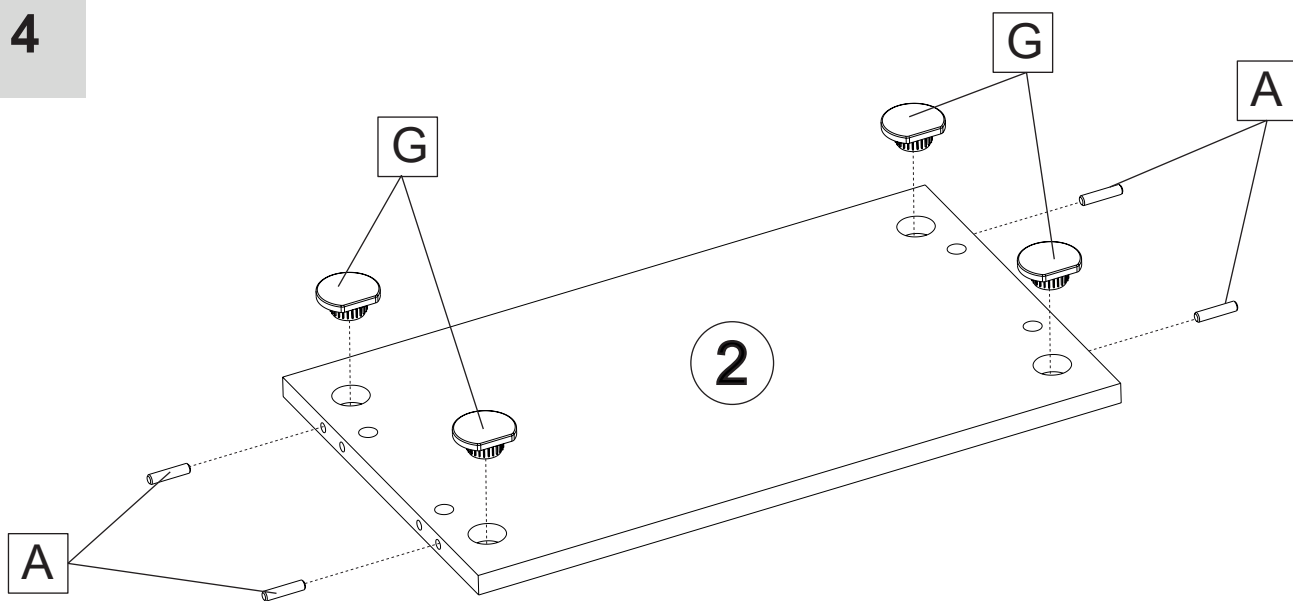
2



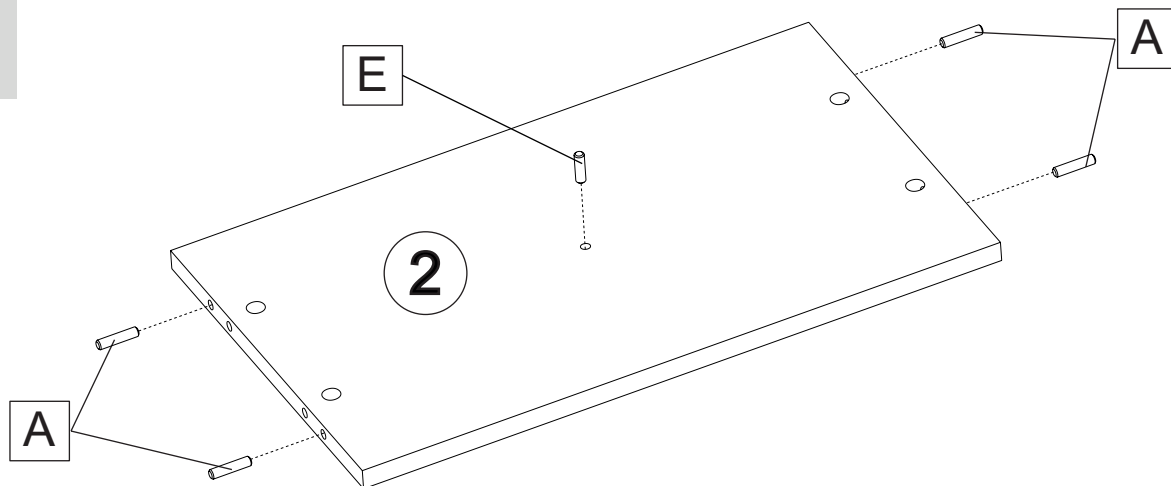
3



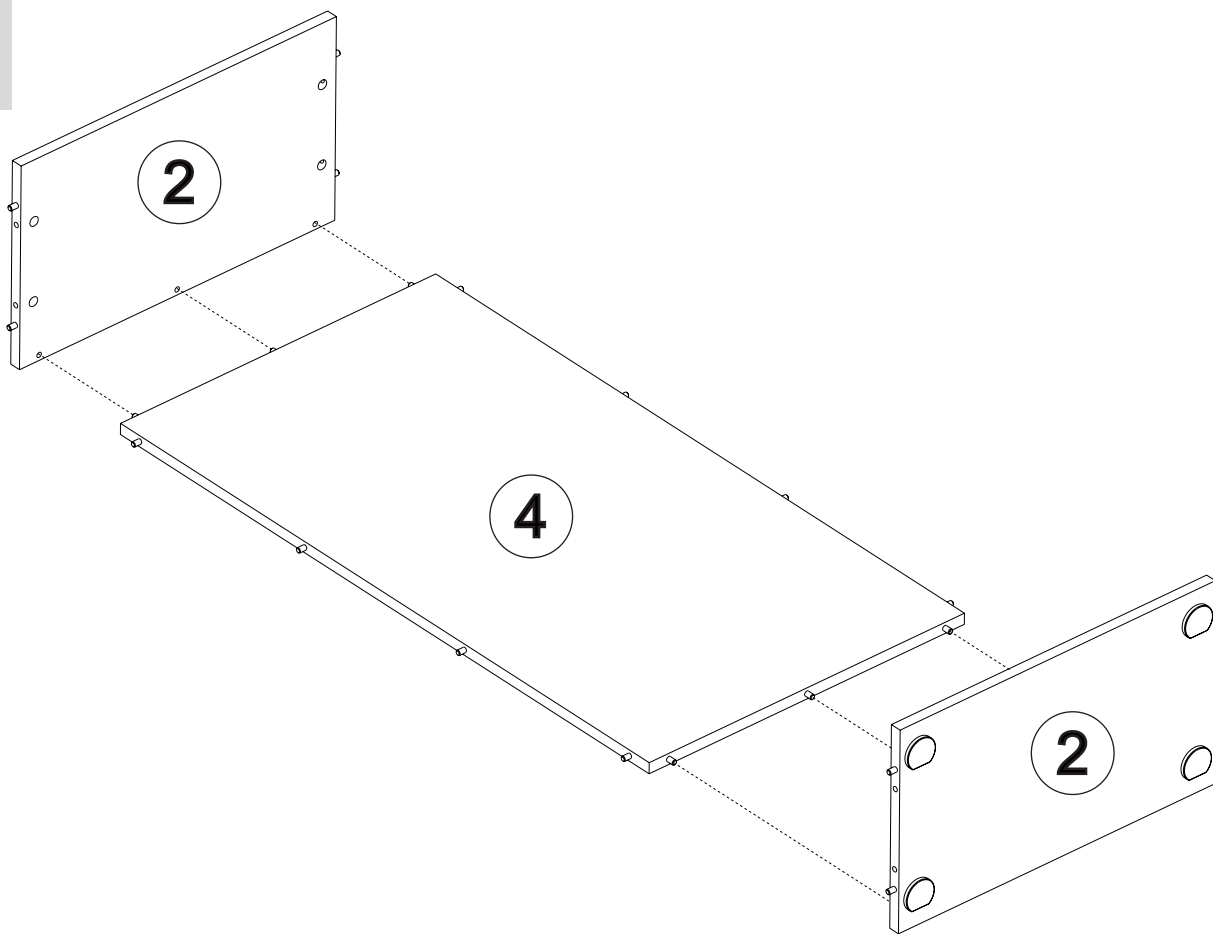
4



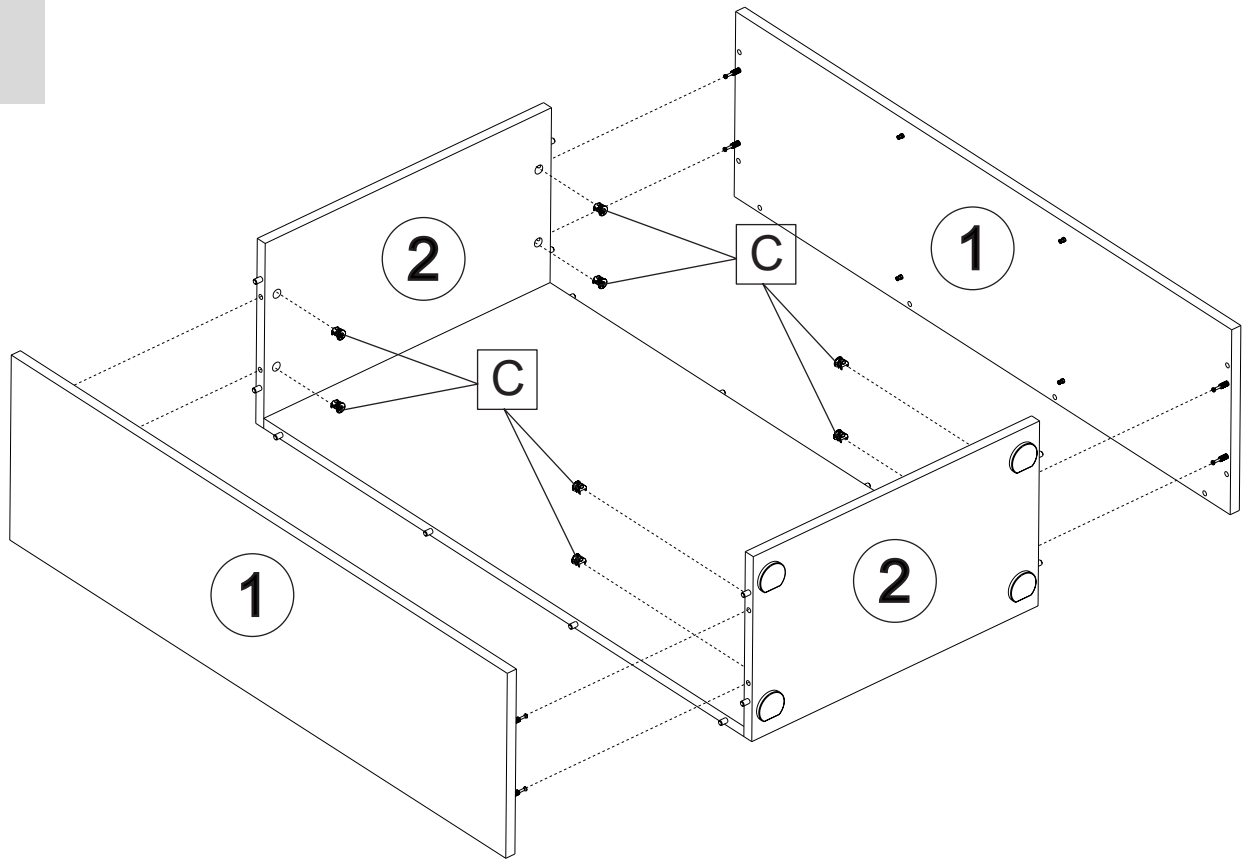
5



6

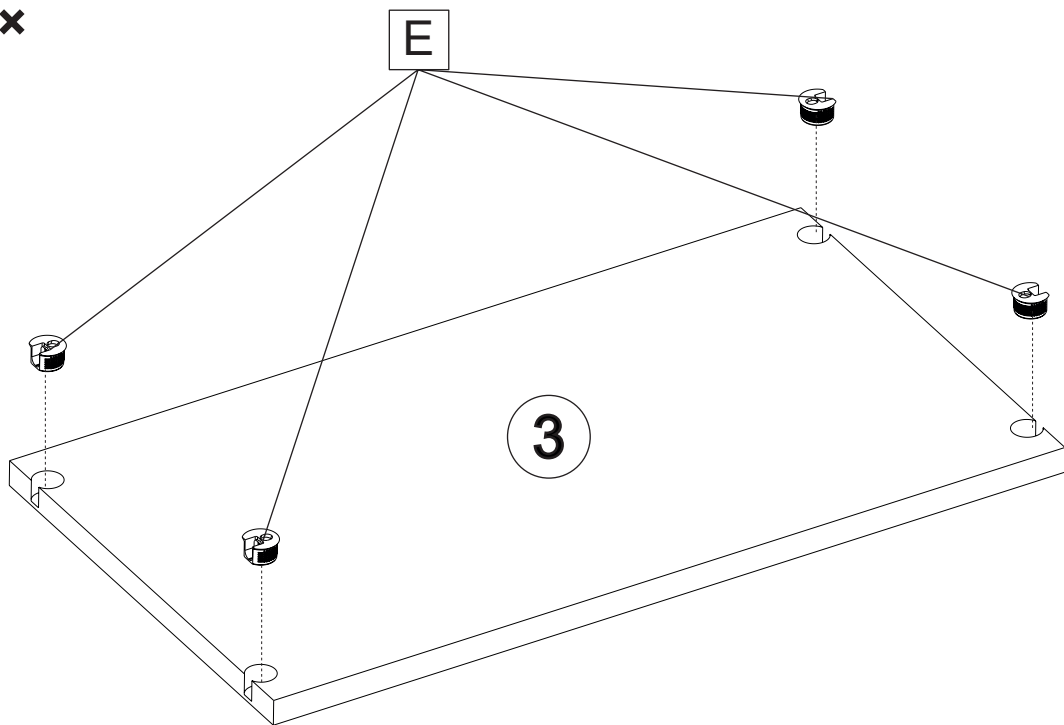


7

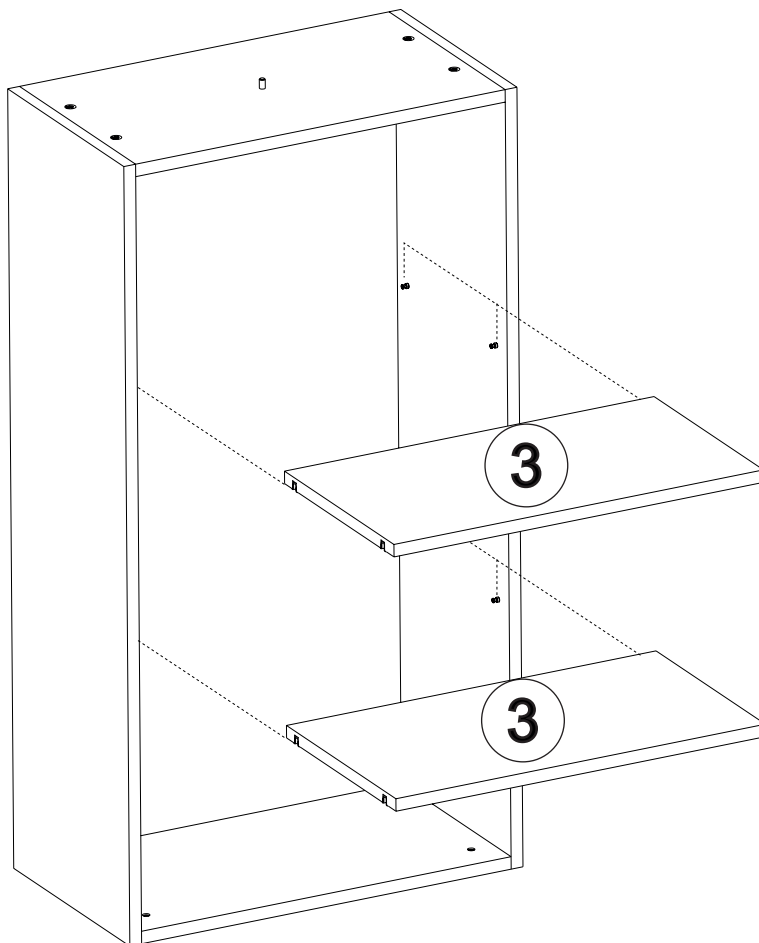


8

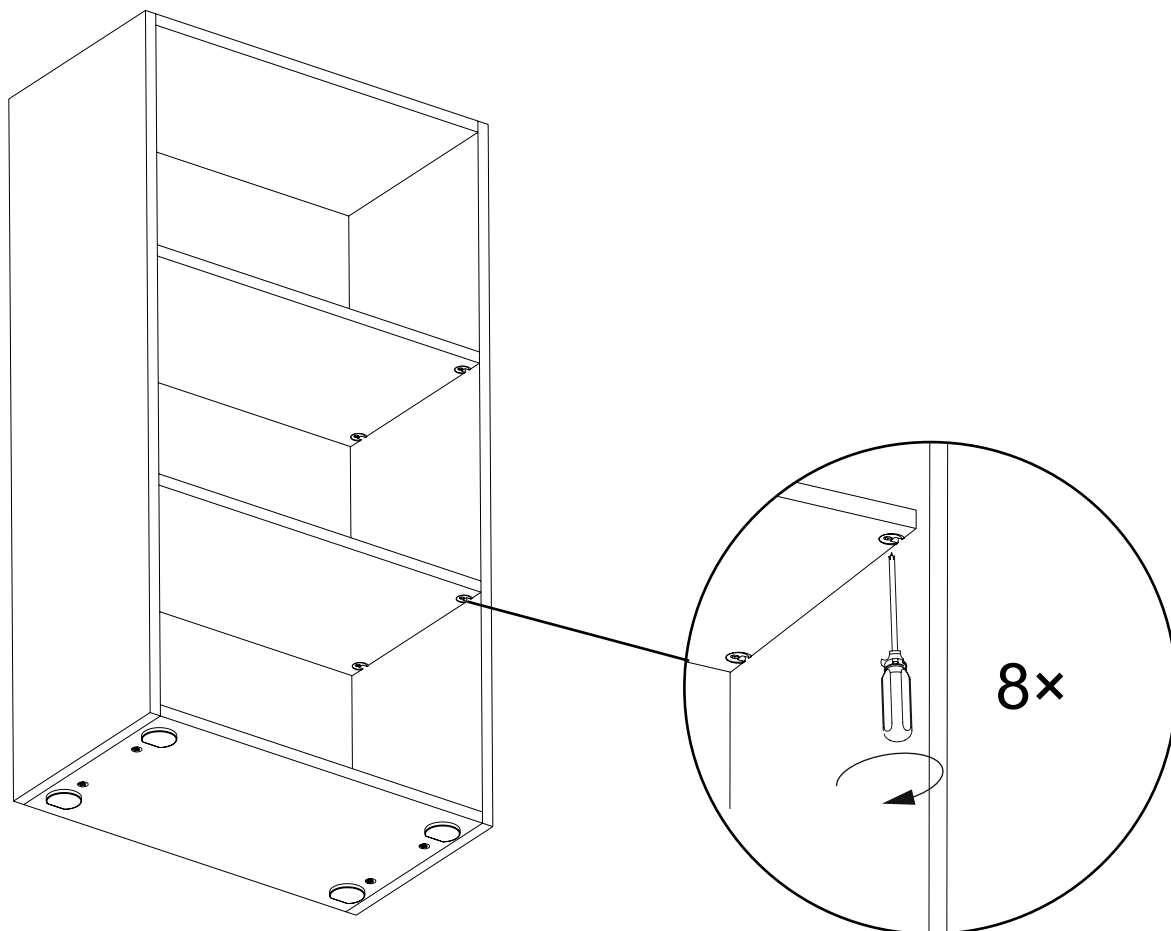
2x



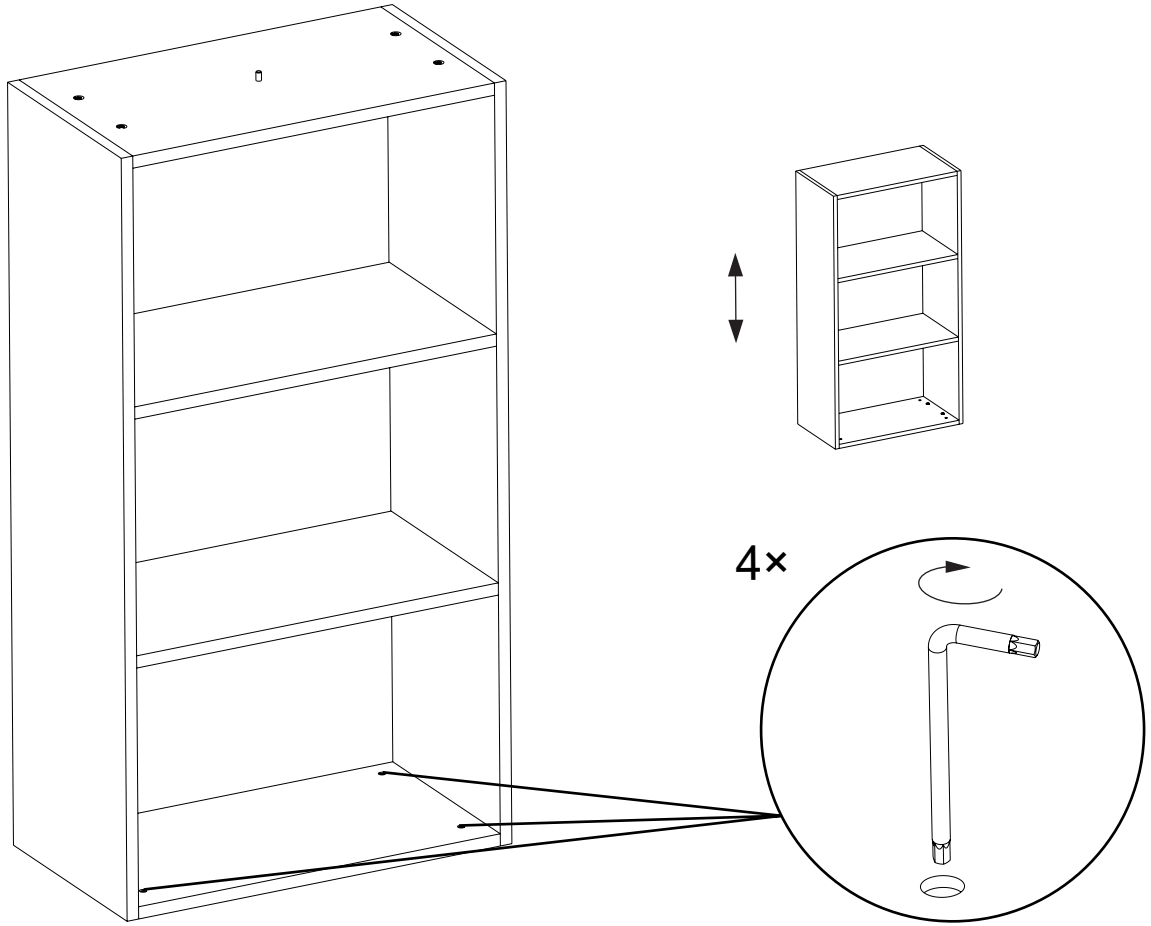
9



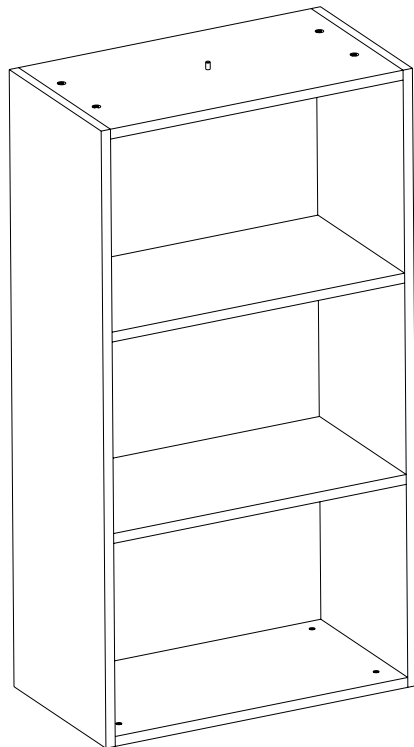
10



11

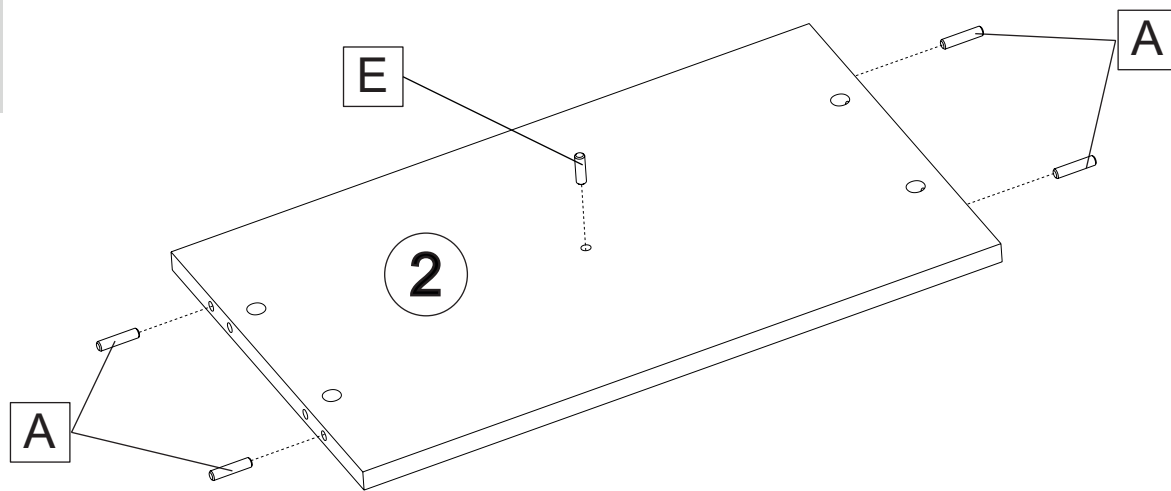


12

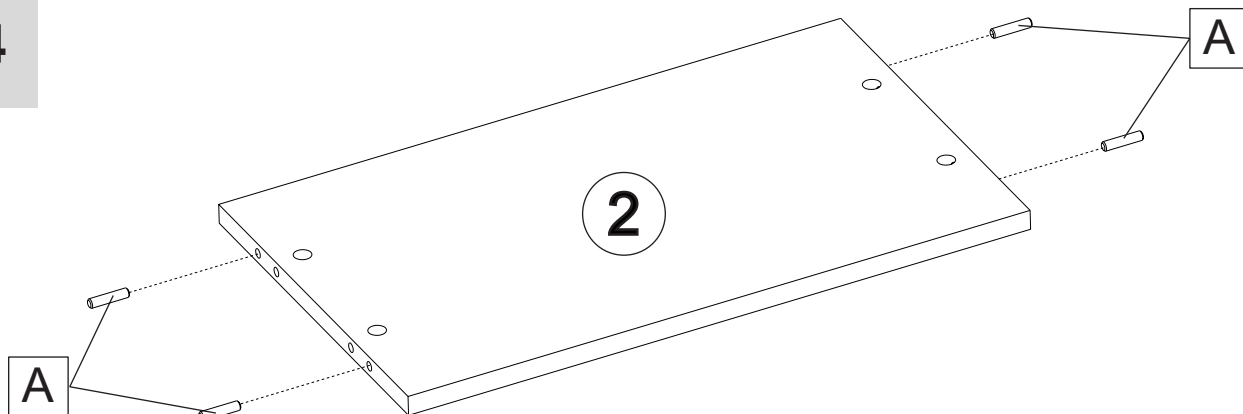


2x

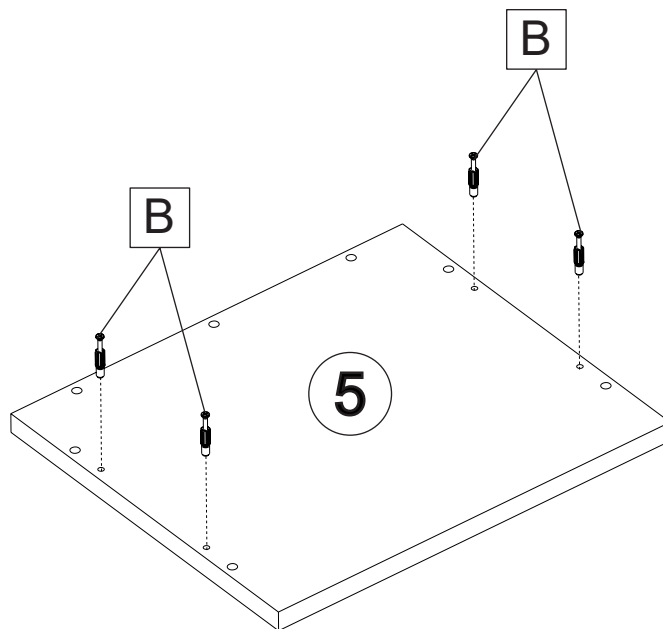
13



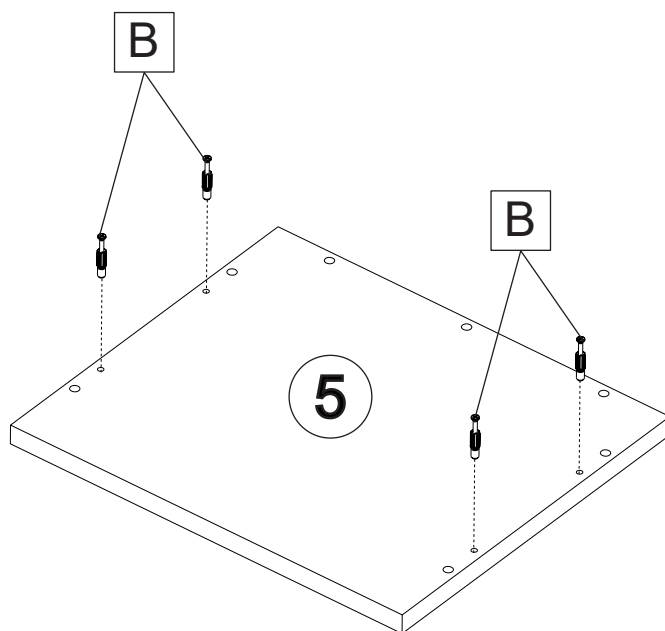
14



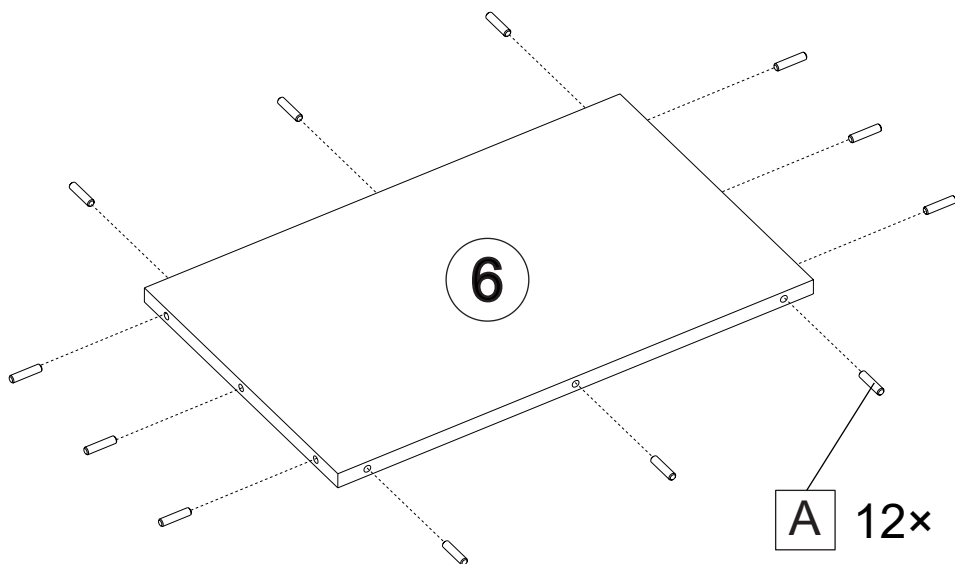
15



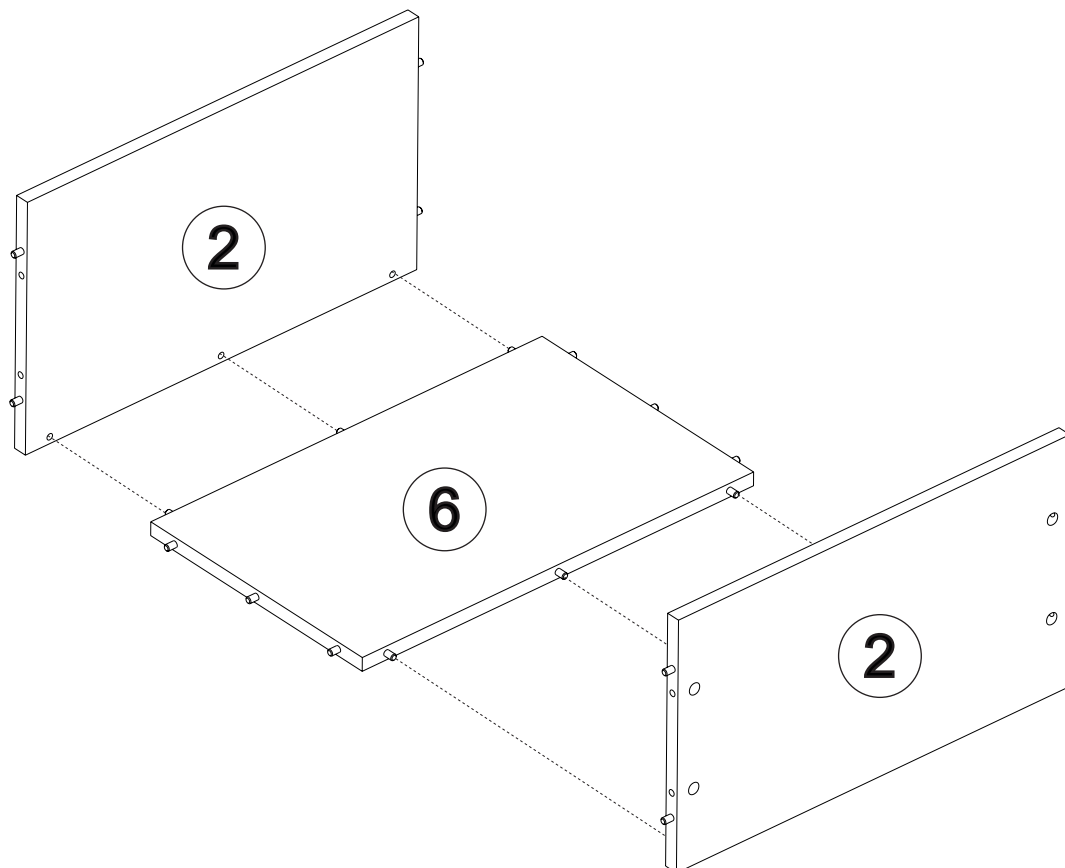
16



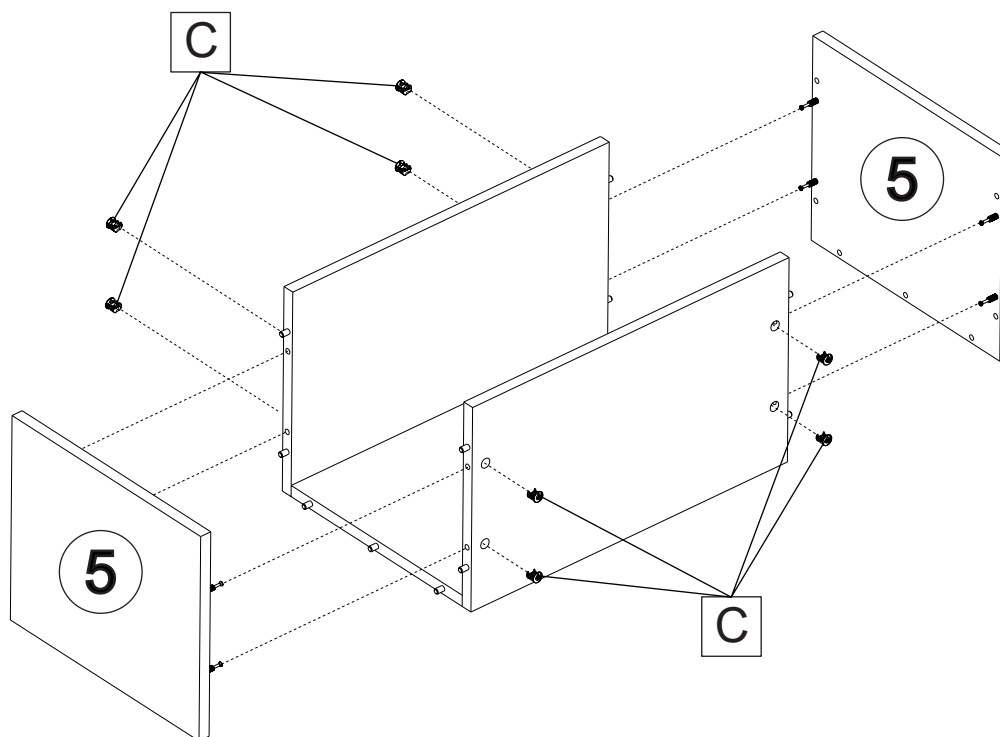
17



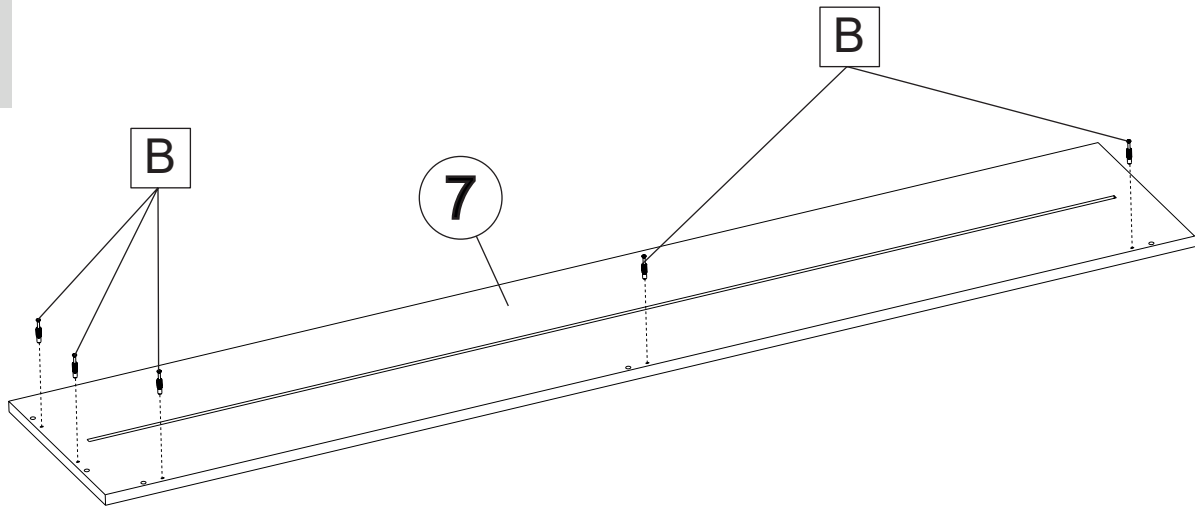
18



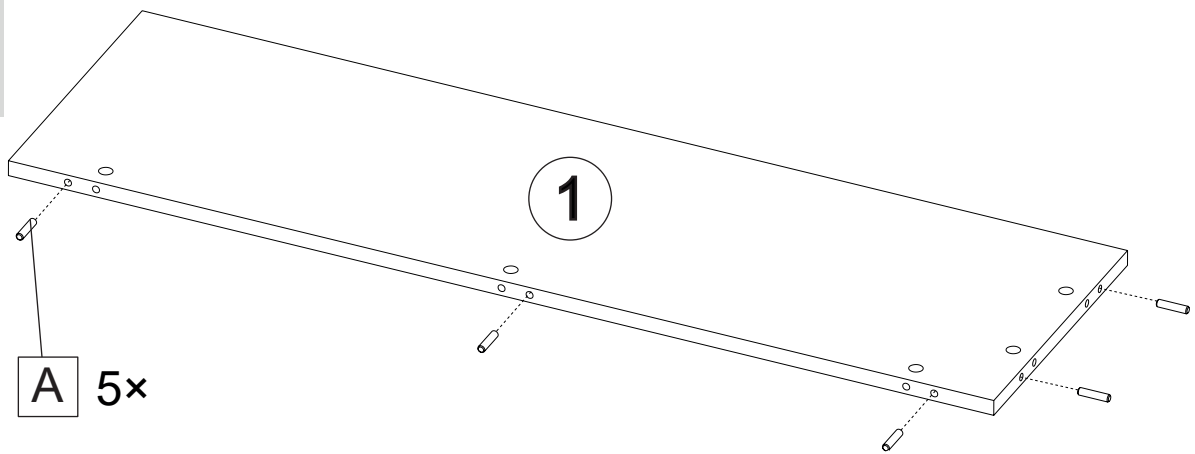
19



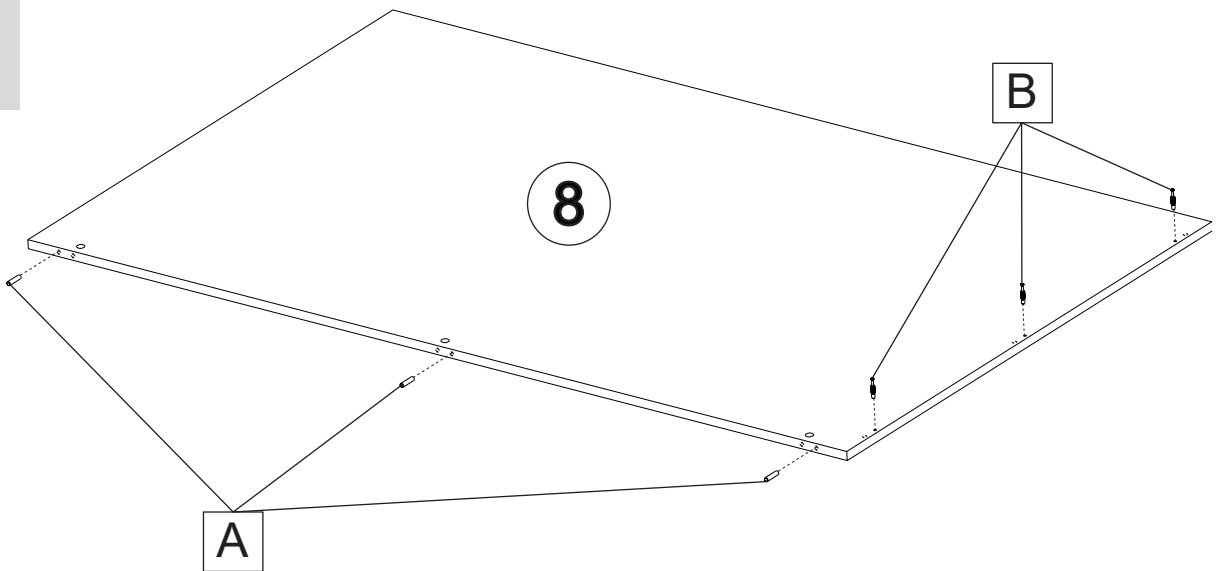
20



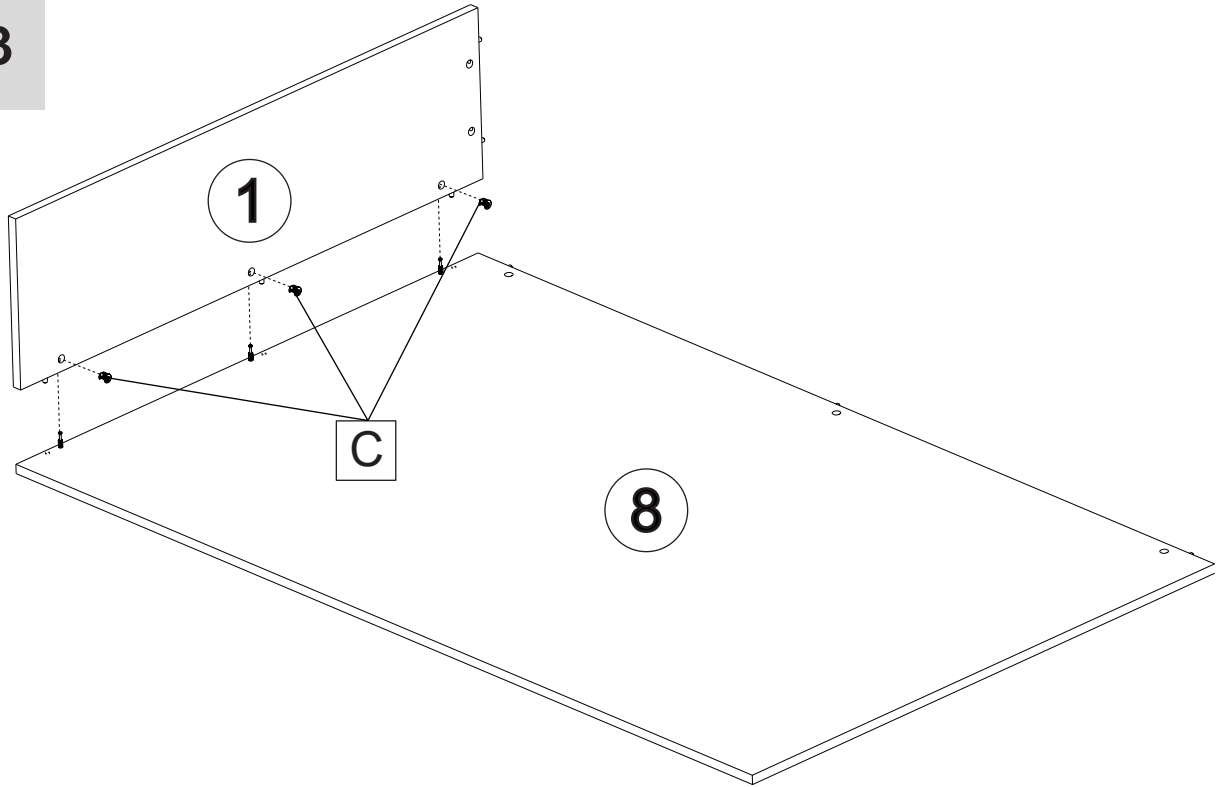
21



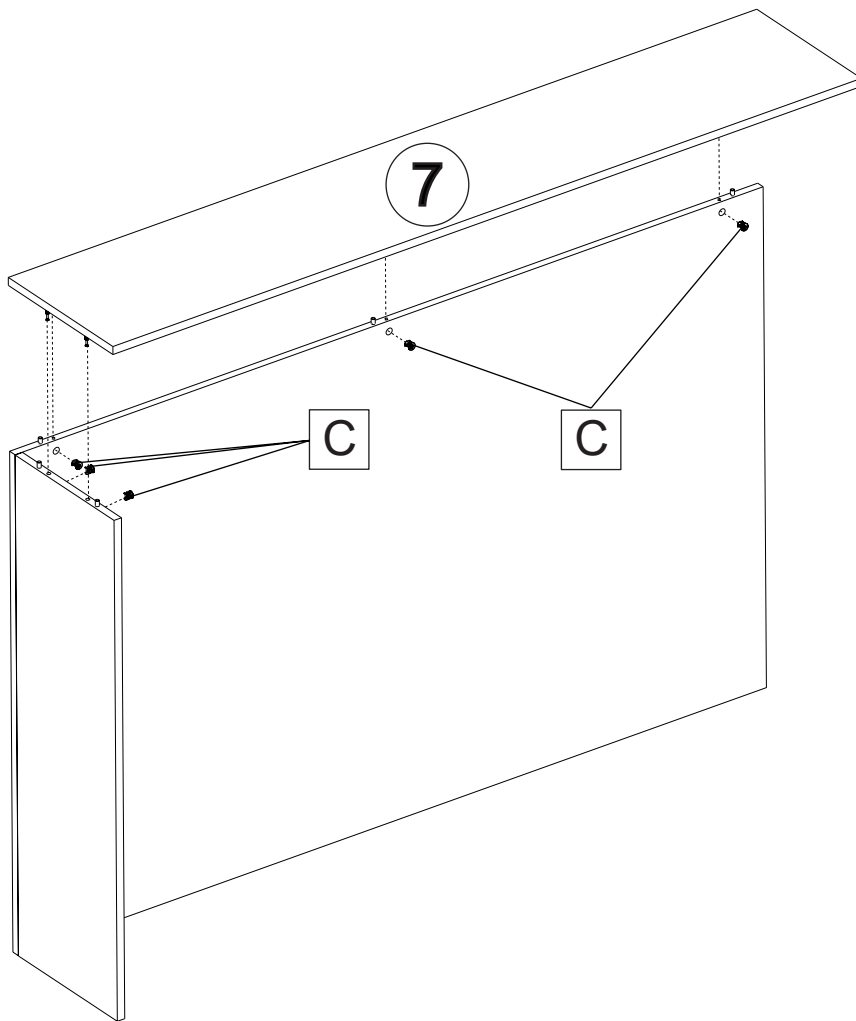
22



23



24



25

